

The Genuine. The Original.



OVERDRIVE™



**Complete
with
CODEDODGER®
Remote Control
and
SERIES II Electronics**

Included Wall Control **MUST** be installed prior to Operation of this Garage Door Operator.

Safe-T-Beam® Safety Reverse System **Must** be Installed and the Force Controls **Must** be Properly Set to close door.

This Equipment meets or exceeds all Federal, State and UL 325 Safety Requirements.

* Will not operate twice as fast on a one-piece door.

NEED HELP?

Please call us if you are having difficulty, for any reason. We would like to help you.

Call: 1.800.929.3667
Web: www.overhaddoor.com

3505735581

TABLE OF CONTENTS

SECTION	PAGE
PRE-INSTALLATION CHECKLIST	2-3
PARTS IDENTIFICATION	4-6
SAFETY INFORMATION & SAFETY FEATURES	7
OPERATOR ASSEMBLY & INSTALLATION	8-16
OPERATOR ASSEMBLY	8-11
OPERATOR INSTALLATION	12-16
SAFE-T-BEAM® SYSTEM INSTALLATION	17-18
WALL CONTROL INSTALLATION	19
CONNECTING POWER	20
SETTINGS	21-22
FORCE ADJUSTMENT	21
LIMIT SWITCH ADJUSTMENT	22
CONTACT REVERSE	22
WIRELESS CONTROLS	23-26
BATTERY / VISOR CLIP INSTALLATION	23
PROGRAMMING REMOTE CONTROLS	23-24
WIRELESS KEYPAD INSTALLATION	24
PROGRAMMING WIRELESS KEYPAD	25-26
OPERATING SAFETY INSTRUCTIONS	26
OPERATIONAL FEATURES	27
MAINTENANCE	27-30
PERIODIC MAINTENANCE	27-28
TROUBLESHOOTING GUIDE	28-29
WIRING DIAGRAM	30
WARRANTY	30
ACCESSORIES	A
SERVICE INFORMATION	13

SAVE FOR FUTURE REFERENCE

2

Things to consider if you are planning to “do-it-yourself.”

In many cases you will be replacing an existing door operator with a new one. However, if this will be the first operator installed there are some pre-installation issues which need to be addressed. They are as follows:

(The issue numbers below refer to the circled numbers on the illustrations which appear on page 3.)

1 Check your ceiling where the power head of your new unit will be mounted. Plan how you will be mounting the Power Head. It is possible that ceiling joists simply may not be in the exact position needed with respect to the garage door operator. In any case it may be necessary to add an additional bracket and fasteners (not included with your new door operator kit).

2 Check the wall directly above the garage door. The door operator’s header bracket must be securely fastened to this wall. Insure that the structure will provide a strong mounting location. You may need to attach a board to the wall frame in this area.

3 Check to see if the mounting location for the Safe-T-Beam® System is clear from obstruction and has a wood surface available for attaching the STB brackets. The brackets may also be attached to concrete if necessary but extra tools and special fasteners (not supplied) will be required.

NOTE: 1-1/2" STB Adapters are available through your local Genie Dealer.

4 Is your garage door made of light-weight steel, aluminum, fiberglass, or glass panels? Additional support bracing must be added to these type doors. If this is the case, please contact the door distributor or manufacturer so that they can furnish you with a “bracing kit.”

5 You need a 110-120 Volt power supply available. If you plan to plug the unit into a standard electrical outlet, is one available? The outlet should be no more than 3 feet from the power head once it is mounted.

6 To avoid damage to your door and/or operator, make sure you disable any door locks prior to installing your operator.

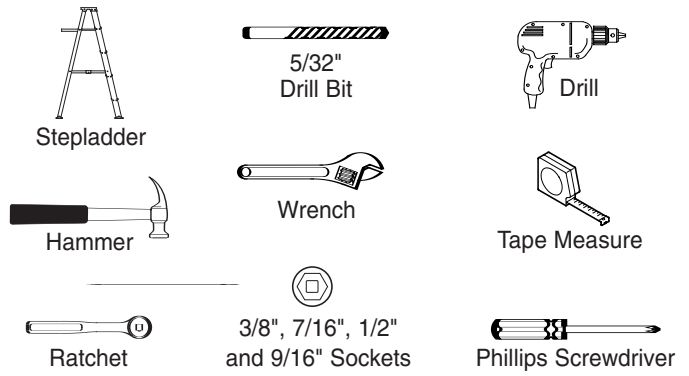
7 Ensure that your door is properly balanced and moving freely. SEE WARNING BELOW. (This Operator is equipped with an Automatic Garage Door Balance Detection System. See page 28, Troubleshooting section.)

8 (NOT SHOWN) If your garage does not have a separate entry door. You might want to consider a GER-2 Emergency Release Kit for installation on your garage door. Contact Customer Service or visit the web site for information.

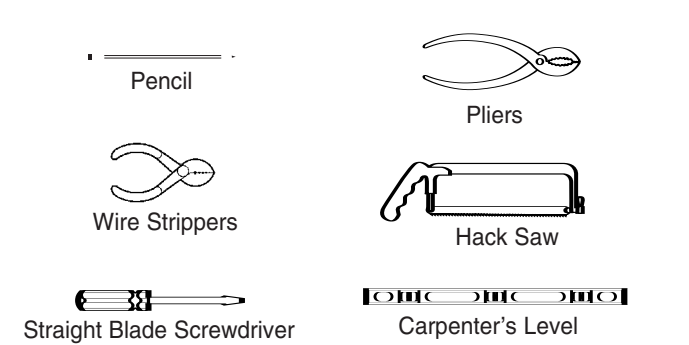
⚠ WARNING

If your door sticks, binds, or is out of balance, have it adjusted by a professional. Door springs, cables, pulleys, brackets and associated hardware are under extreme tension and can cause serious injury or death.

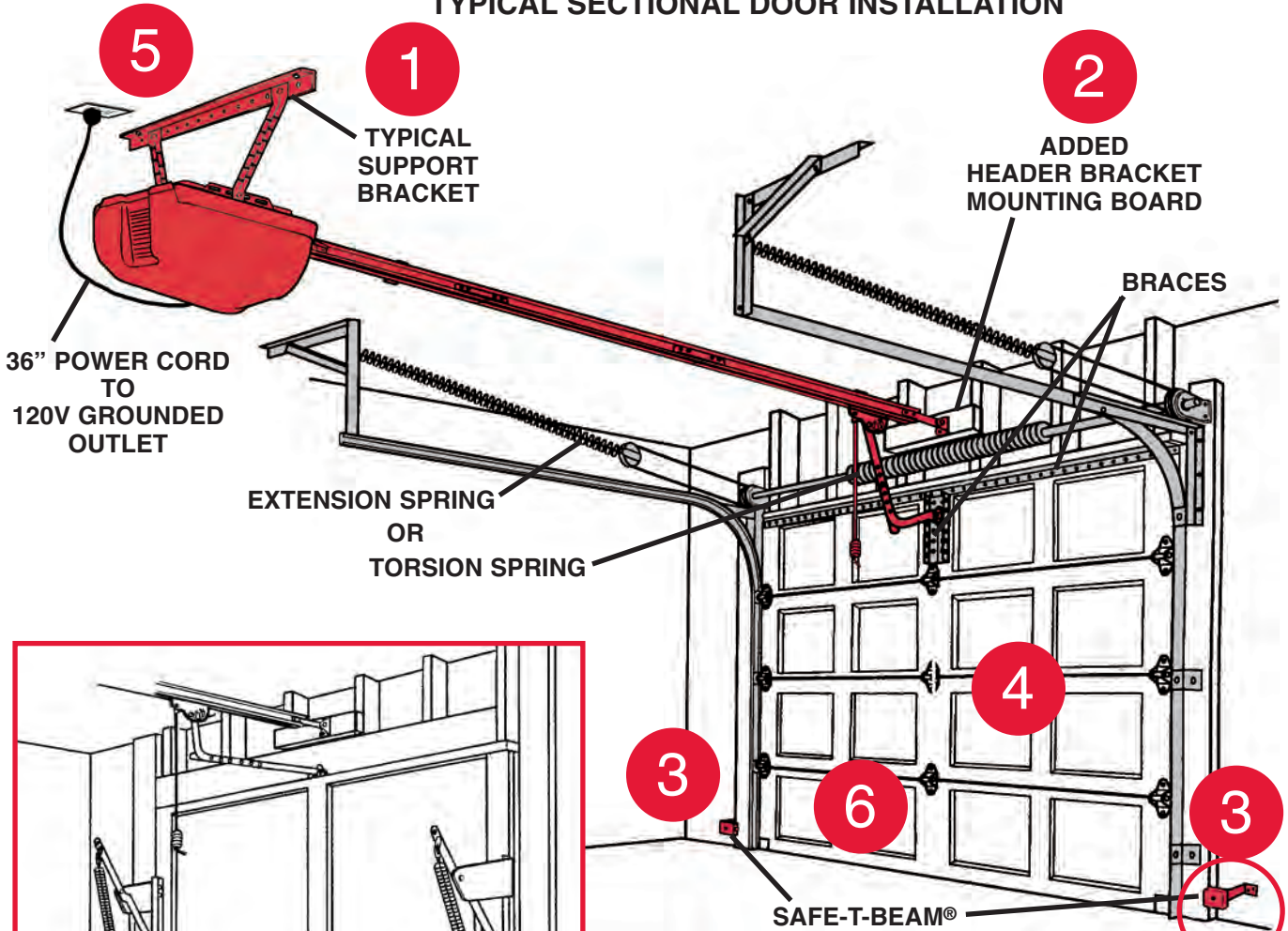
TOOLS REQUIRED



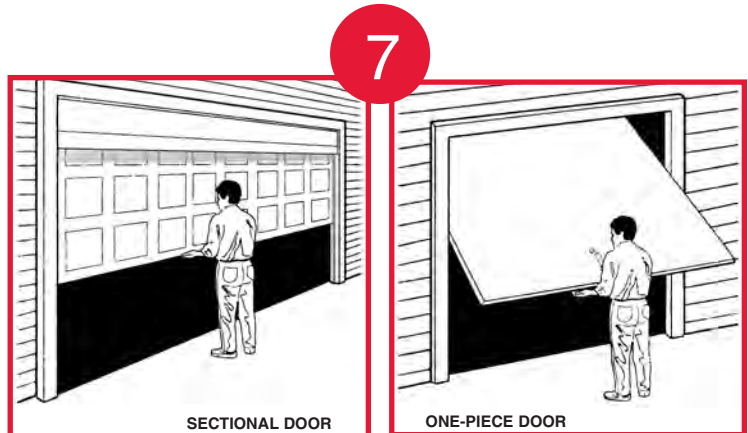
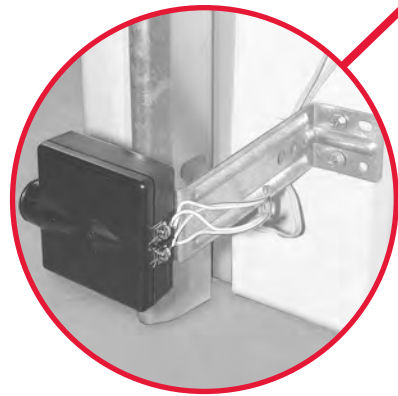
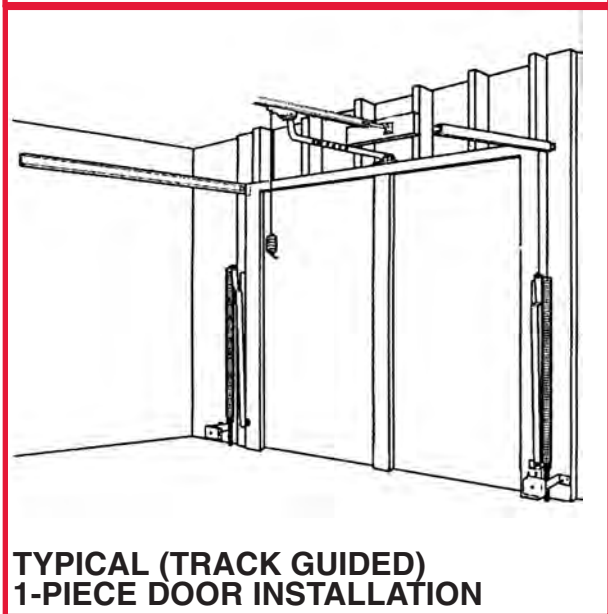
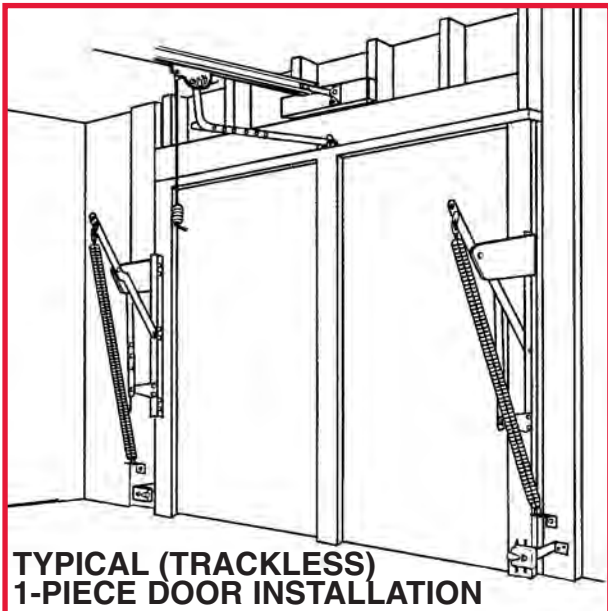
ADDITIONAL TOOLS YOU MAY NEED



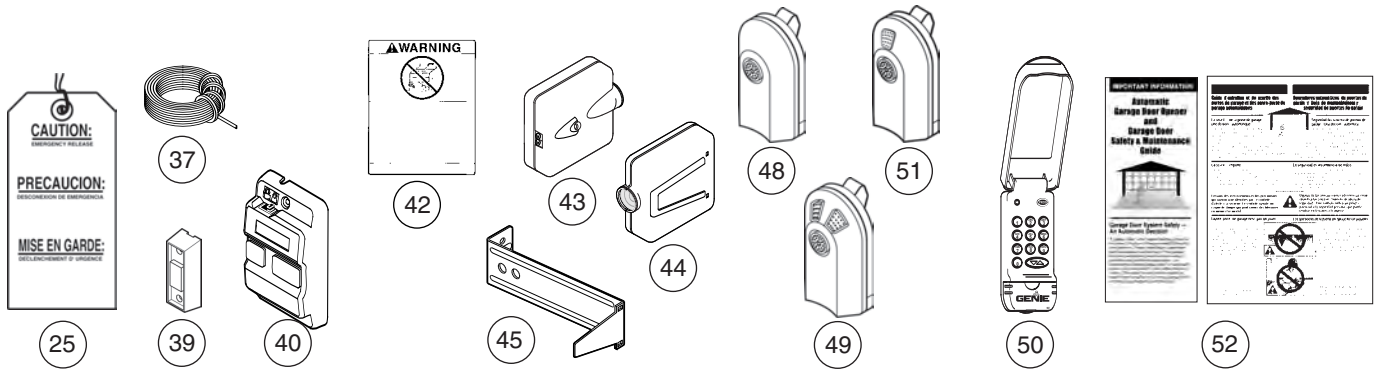
TYPICAL SECTIONAL DOOR INSTALLATION



3

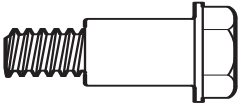
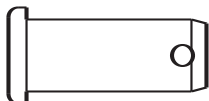



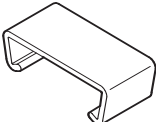

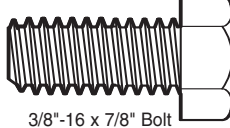
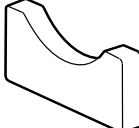

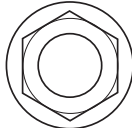



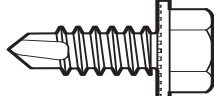





4



NOTE: Accessories vary by Model.

FASTENERS - Shown Full Size. See Parts List for description.

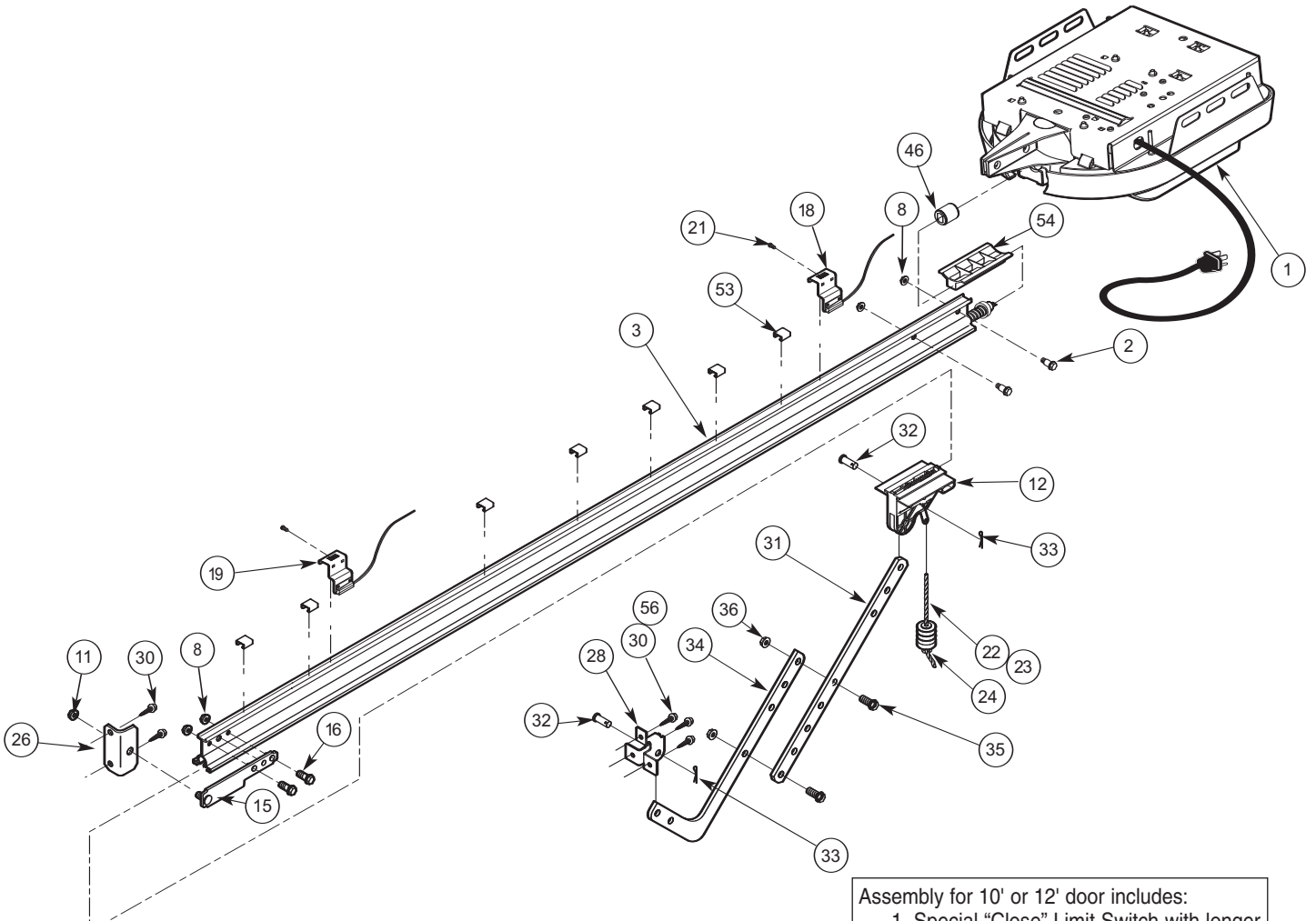
<p>2</p>  <p>1/4"-20 Shoulder Bolt</p>	<p>32</p>  <p>Clevis Pin</p>	<p>47</p>  <p>#10-16 x 1-1/4" Phillips Hex Head Screw</p>
<p>8</p>  <p>1/4"-20 Nut</p>	<p>33</p>  <p>Cotter Pin</p>	<p>53</p>  <p>Wire Clip</p>
<p>11</p>  <p>5/16"-18 Nut</p>	<p>35</p>  <p>3/8"-16 x 7/8" Bolt</p>	<p>54</p>  <p>Rubber Bumper</p>
<p>16</p>  <p>1/4"-20 x 5/8" Bolt</p>	<p>36</p>  <p>3/8"-16 Nut</p>	<p>55</p>  <p>5/16"-18 x 3/4" Bolt</p>
<p>21</p>  <p>#8-32 x 1" Screw</p>	<p>38</p>  <p>Insulated Staple</p>	<p>56</p>  <p>1/4"-20 x 3/4" Self-Drilling Screw</p>
<p>30</p>  <p>1/4" x 2" Lag Screw</p>	<p>41</p>  <p>#6 x 1-1/4" Pan Head Screw</p>	
<p>46</p>  <p>Coupler</p>		

1-PIECE BOOM HARDWARE EXPLODED VIEW

"PRO" ONLY

[3]

NOTE: The Operator will not function unless the Safe-T-Beam® System is installed and the Force Controls are properly set.

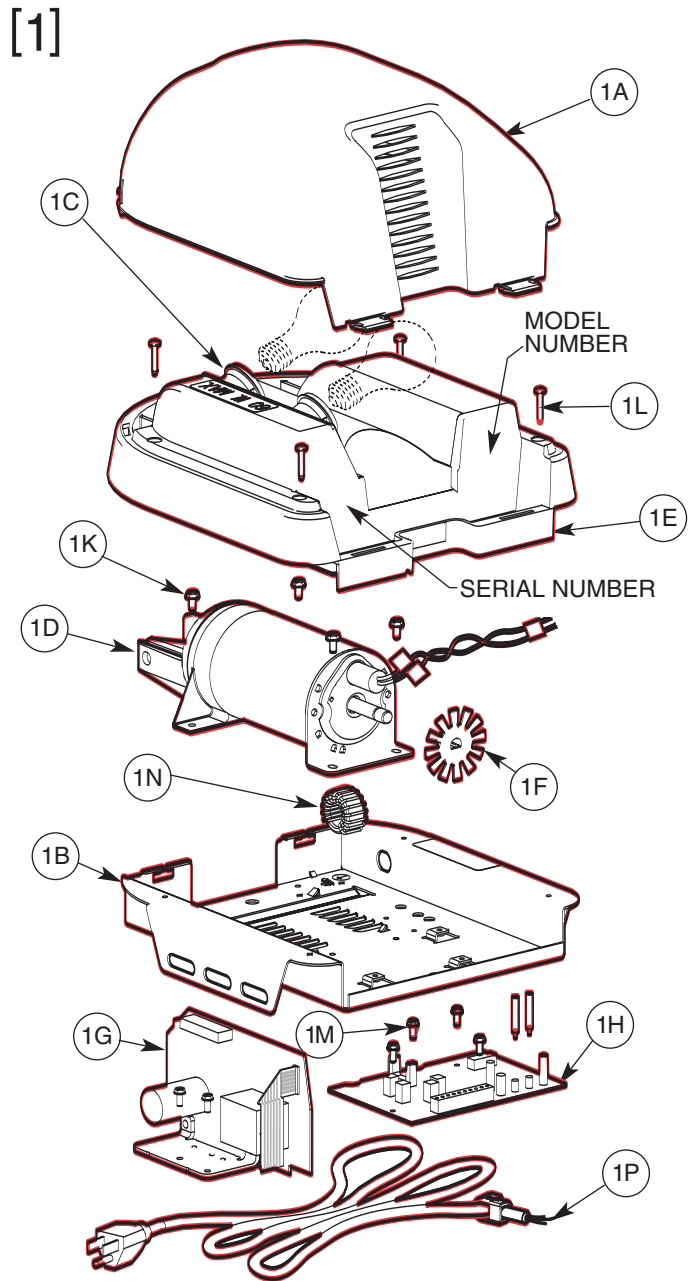


Assembly for 10' or 12' door includes:
1. Special "Close" Limit Switch with longer wires.
2. 96" Emergency Release Cord (yellow)
3. Rail Support Kit

PARTS LIST

Item	Part Name	Parts Required
1	Power Head Assembly (main carton)	1
2	1/4"-20 Hex Head Shoulder Bolt (blue bag)	2
3	Boom Assembly (1 piece)(packaged separately)	1
8	1/4"-20 Hex Serrated Flange Nut (blue bag)	4
11	5/16"-18 Hex Serrated Flange Nut (blue & orange bag)	varies/model
12	Carriage Assembly (main carton)	1
15	Boom Strap (blue bag)	1
16	1/4"-20 Hex Head Bolt (blue bag)	2
18	Open Limit Switch Assembly (White)(green bag)	1
19	Close Limit Switch Assembly (Brown) (green bag)	1
21	No.8-32 x 1" Hex Head Screw (green bag)	2
22	Emergency Release Cord (green bag)	1
23	Emergency Release Cord (long)(yellow)	10' & 12' only
24	Emergency Release Knob (green bag)	1
25	Emergency Release Tag (green bag)	1
26	Header Bracket (orange bag)	1
28	Door Bracket (orange bag)	1
30	1/4" x 2" Lag Screw (orange bag)	varies/model
31	Straight Door Arm (main carton)	1
32	Clevis Pin (yellow bag)	2
33	Cotter Pin (yellow bag)	2
34	Curved Door Arm (main carton)	1
35	3/8" x 7/8" Hex Head Bolt (yellow bag)	2
36	3/8" Hex Serrated Flange Nut (yellow bag)	2
37	Wire (main carton)	≈ 95ft
38	Insulated Staple (red bag)	≈ 30
39	Wall Button (red bag)	varies/model
40	Wall Console (main carton)	varies/model
41	#6 x 1-1/4" Pan Head Screw (red bag)	4
42	Entrapment WARNING Label (manual)	1
43	Safe-T-Beam (STB) Sensor (Green LED)(main carton)	1
44	Safe-T-Beam (STB) Source (Red LED)(main carton)	1
45	Safe-T-Beam (STB) Bracket (yellow bag)	2
46	Coupler (blue bag)	1
47	No.10-16 x 1 1/4" Phillips Hex Head Screw (yellow bag)	4
48	Single Button Remote Control (main carton)	varies/model
49	Multi-Button Remote Control (main carton)	varies/model
50	Wireless Keypad (main carton)	varies/model
51	2-Button Remote Control (main carton)	varies/model
52	Safety & Maintenance Guide (manual)	1
53	Wire Clip (green bag)	varies/model
54	Carriage Stop (blue bag)	1
55	5/16"-18 x 3/4" Hex Head Bolt (orange bag)	varies/model
56	1/4-20 x 3/4" Self-drilling Screw (orange bag)	3
57	Mounting Straps (main carton)	varies/model

POWER HEAD EXPLODED VIEW



POWER HEAD PARTS LIST

Item	Part Name
1	Power Head Assembly
1A	Lens (By Series/Model)
1B	Top Plate Assembly
1C	Light Socket (2)
1D	Motor Assembly
1E	Cover
1F	Opto Wheel
1G	Motor Drive Board
1H	Controller Board
1K	No. 10-24 x 3/8" Hex Head
1L	No. 8-32 x 1" Phillips Screw
1M	No. 8-32 x 3/8" Slotted Hex Head Screw
1N	Toroid
1P	Power Cord




OVERVIEW OF POTENTIAL HAZARDS

Garage Doors are large, heavy objects that move with the help of springs under high tension and electric motors. Since moving objects, springs under tension, and electric motors can cause injuries, your safety and the safety of others depend on you reading the information in this manual. If you have questions or do not understand the information presented, call your nearest service representative.

In this Section and those that follow, the words **Danger**, **Warning**, and **Caution** are used to emphasize important safety information. The word:

- ⚠ DANGER** means that severe injury or death will result from failure to follow instructions.
- ⚠ WARNING** means that severe injury or death can result from failure to follow instructions.
- ⚠ CAUTION** means that property damage or injury can result from failure to follow instructions.

The word **NOTE** is used to indicate important steps to be followed or important considerations.

POTENTIAL HAZARD	EFFECT	PREVENTION
 MOVING DOOR	WARNING: Can Cause Serious Injury or Death	Keep people clear of opening while door is moving. Do Not allow children to play with the door operator. Do Not operate a door that jams or one that has a broken spring.
 ELECTRICAL SHOCK	WARNING: Can Cause Serious Injury or Death	Turn off power before removing operator cover. When replacing cover, make sure wires are not pinched or near moving parts. Operator must be properly grounded.
 HIGH SPRING TENSION	WARNING: Can Cause Serious Injury or Death	Do Not try to remove, repair or adjust springs or anything to which door spring parts are fastened, such as, wood blocks, steel brackets, cables or other like items. Repairs and adjustments must be made by a trained service person using proper tools and instructions.

IMPORTANT INSTALLATION INSTRUCTIONS

⚠ WARNING:

To reduce the risk of severe injury or death:

1. READ AND FOLLOW ALL SAFETY, INSTALLATION AND OPERATION INSTRUCTIONS. If you have any questions or do not understand an instruction, call your service representative.
2. Do Not install operator on an improperly balanced door. An improperly balanced door could cause severe injury. Repairs and adjustments to cables, spring assembly, and other hardware must be made by a trained service person using proper tools and instructions.
3. Remove all ropes, and disable all locks connected to the door before installing operator.
4. Install door operator 7 feet or more above the floor. Mount the emergency release knob 6 feet above the floor.
5. Do Not connect the operator to the source of power until instructed to do so.
6. Locate the control button:
 - Within sight of door.
 - At a minimum height of 5 feet, so small children cannot reach it.
 - Away from all moving parts of the door.
7. Install the entrapment WARNING label next to the wall button or console. Install the emergency release tag on, or next to, the emergency release
8. The operator must reverse when the door contacts a 1-1/2 inch high object on the floor at the center of the doorway. This is about the size of a 2" x 4" board laid flat.

Safe-T-Beam® (STB) Non-Contact Reversing System

Places an invisible beam across door opening, that reverses the door during down travel to the fully open position if anything passes through beam.

Safe-T-Reverse® Contact Reversing System

Automatically stops and reverses a closing door within 2 seconds of contact with an object.

Safe-T-Stop® Timed Reversed System

Automatically opens a closing door, if door does not close within 30 seconds.

Force Guard® Control

Used to set the force required for opening and closing door. For maximum safety, set the minimum force required to fully open and close door.

Automatic Lighting System

Two light bulbs up to 60 Watts max. each, are used for safer entries and exits. The light turns on when door is activated and automatically turns off 4.5 minutes later.

Manual Emergency Release

Allows the garage door to be opened or closed manually for emergencies or maintenance.

Record your Model Number and Serial Number now on page 11 in the center of this manual.

OPERATOR ASSEMBLY

8

OPEN BLUE PARTS BAG

NOTE: 3 piece operator assembly is for doors up to 7 feet 6 inches high. An extension kit for an 8 feet high door is available.

Assemble on a clean, flat surface.

1. Install coupler [46] (Fig. 1-1).

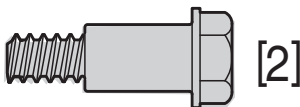
- Line up and slide on motor shaft.

CAUTION

Drive screw and boom liner can slide out of boom sections. Keep boom sections level until operator is fully assembled.

2. Connect boom to power head. Either 1-piece boom or first section of 3-piece boom (Fig. 1-2).

- Insure arrow on boom points away from power head. (Fig 1-4 on page 9.)
- Push drive screw out about 5 inches.
- Line up and slide drive screw into coupler.
- Slide boom into bracket and line up holes with those on power head (Fig. 1-3).
 - Connect with bolts [2] and nuts [8].



1/4"-20 Hex Head Bolt



1/4"-20 Hex Flange Nut

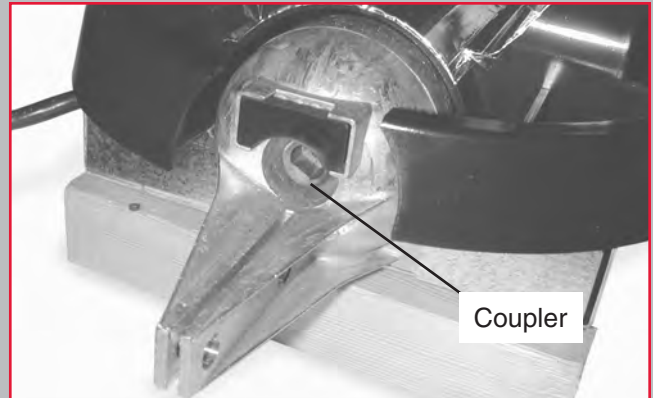


Fig. 1-1 Install rubber bumper and coupler

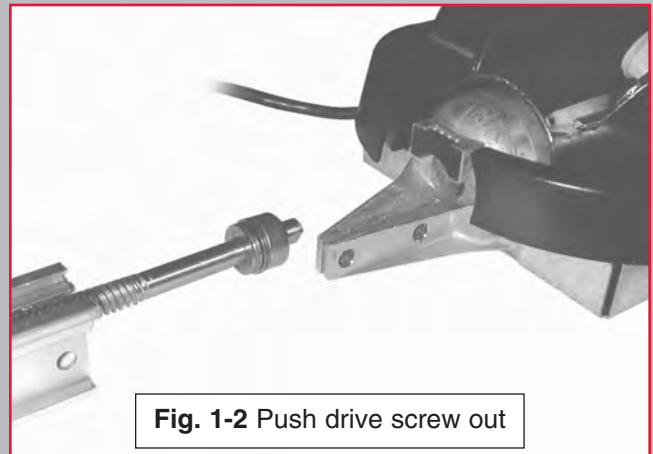


Fig. 1-2 Push drive screw out

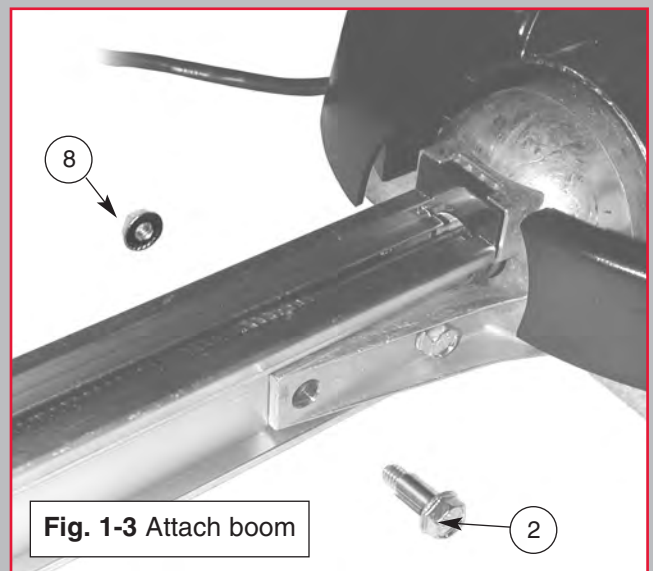


Fig. 1-3 Attach boom

CAUTION

Drive screw section and boom liner can slide out of boom sections. Keep boom sections level until operator is fully assembled

3. On 1 piece boom assembly go to step 11.

4. Arrange arrows on boom sections (Fig. 1-4).

- Point arrows in same direction *away* from power head.

5. Attach middle boom section to first boom section.

- Push middle drive screw out about 2 inches toward the power head.
- Slide collar [13] over the middle boom hook (Fig. 1-5).
- Turn screw by hand to align coupler hooks between first and middle boom sections.
- Latch the two hooks together and slide the collar over them (Fig. 1-6).
- Snap clip [14] next to collar (Fig. 1-7).

6. Attach boom clamps at the middle boom to first boom joint (Fig. 1-8).

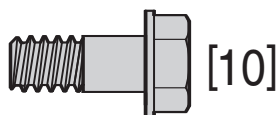
- Slide the middle boom section against the first boom section.
- Place a boom clamp on each side of the boom at the joint and line up the holes with those in the boom.
- Finger tighten boom clamps with bolts [10] and nuts [11].

7. Attach end boom section to middle boom section to first boom section (Step 6).

8. Attach boom clamps at the end boom to middle boom joint (Fig. 1-8).

- Repeat procedure used to attach middle boom section to first boom section (Step 7).

NOTE: If installing a 3-piece boom assembly on an eight foot high door refer to the instruction sheet included with the optional boom extension at this point.



5/16"-18 Hex Head Shoulder Bolt



Collar



5/16"-18 Hex Head Flange Nut



Retaining Clip

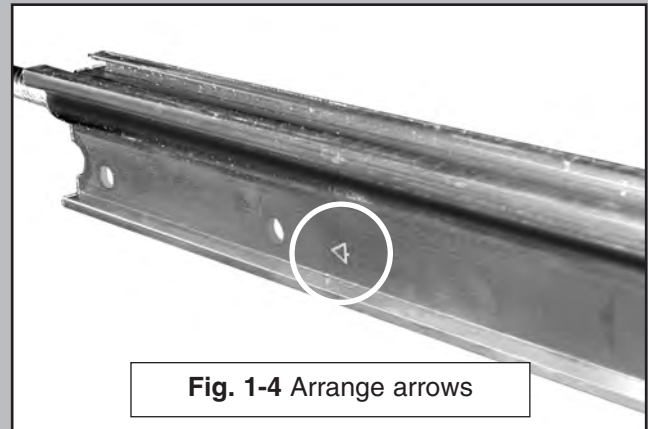


Fig. 1-4 Arrange arrows

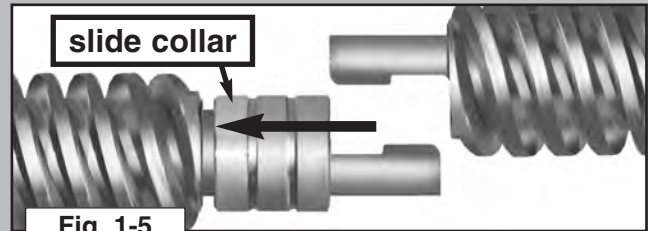


Fig. 1-5



Fig. 1-6

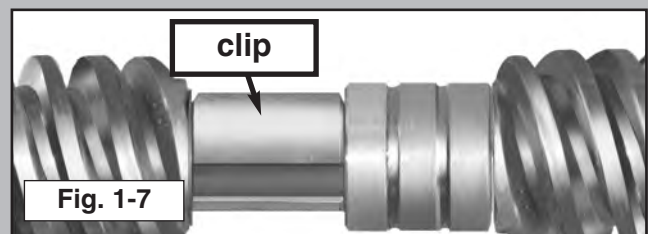
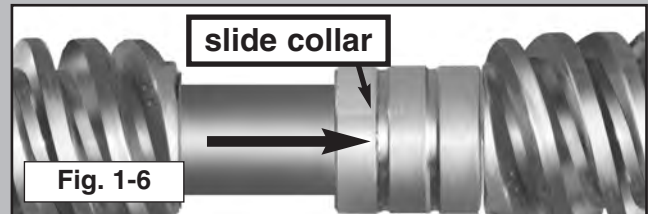


Fig. 1-7

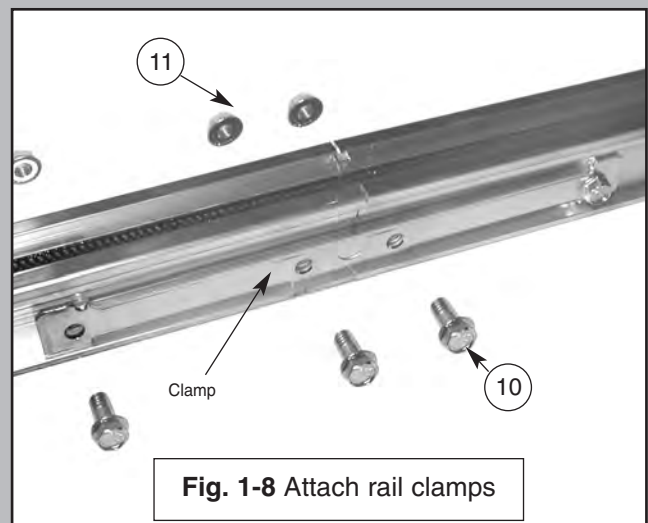


Fig. 1-8 Attach rail clamps

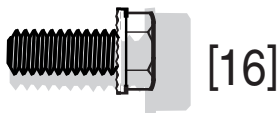
9. Install carriage and carriage stop (Fig. 1-9).

- Slide carriage stop into railand along the length of the rail to the power head.
- Point arrow on side of carriage toward door.
- Place carriage lever in release position.
- Slide into carriage slot of boom assembly.

NOTE: Carriage release lever will be facing power head.

10. Attach boom strap (Fig. 1-10).

- Connect to end boom section with bolts [16] and nuts [8].



1/4"-20 Hex Head Bolt



1/4"-20 Serrated Hex Nut

11. Tighten all nuts and bolts.

NOTE: Tighten nuts and bolts on boom so that they grip metal snugly. Do Not Over-Tighten.

12. Install lens cover (Fig. 1-11).

- Align hinge tabs with slots on motor cover (Fig. 11A).
- Move antenna outside lens and out of way.
- Push hinges into slots on cover until they snap into place (Fig. 11B).
- Swing lens cover closed and snap into place.

OPEN GREEN PARTS BAG

13. Place limit switches (Fig. 1-12).

- Turn unit right side up.
- Uncoil limit switch wires.
- Place switches on boom with arrows pointing toward boom strap.
 - Place CLOSE limit switch (brown wire) 12" from boom strap.
 - Finger tighten the hold-down screw [21].
 - Lay out the wire in the channel on top of the boom, using wire clips [53] to hold it in place as you go toward the power head.
 - Save one clip for the OPEN switch.
 - Place OPEN limit switch (white wire) 12" from power head. (Place over brown wire.)
 - Finger tighten the hold-down screw.
 - Lay out the wire in the channel on top of the boom, using the last wire clip to hold both limit switch wires in place.

NOTE: Do not over-tighten screw [21] on limit switch brackets.

- Limit switch adjustments will be made later.

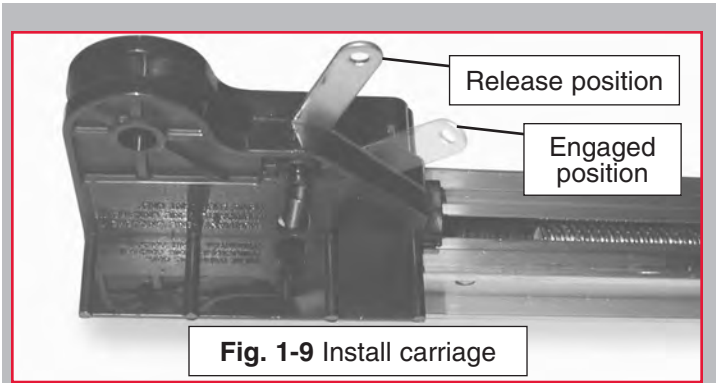


Fig. 1-9 Install carriage

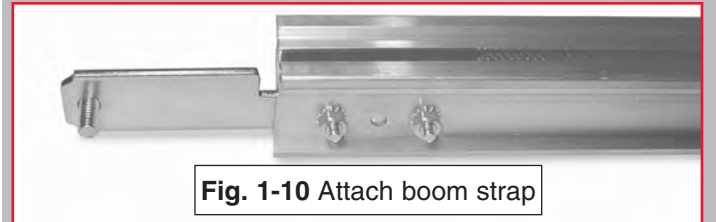


Fig. 1-10 Attach boom strap

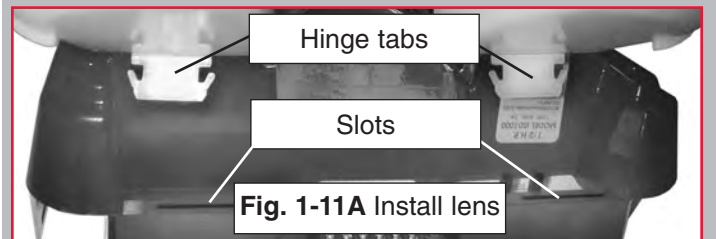


Fig. 1-11A Install lens

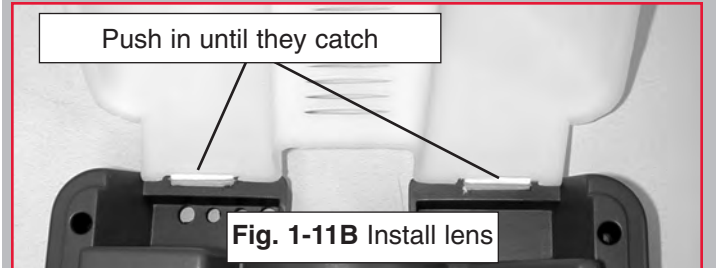


Fig. 1-11B Install lens

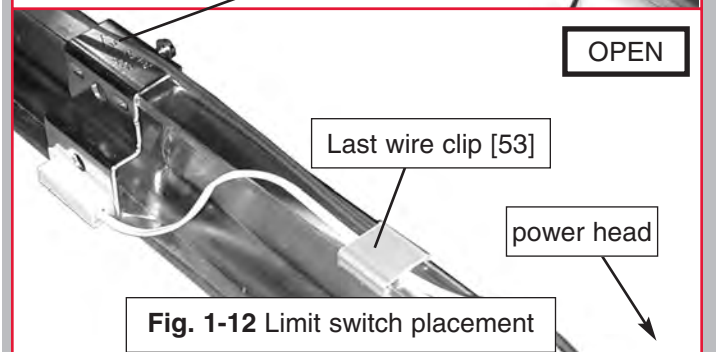
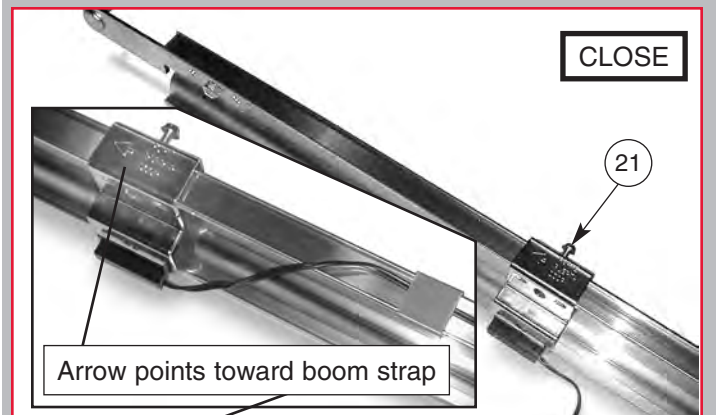


Fig. 1-12 Limit switch placement

14. Bundle excess limit switch wires (Fig. 1-13).

- Leave just enough wire to easily reach the terminals on back of power head.
- Hold the ends of the wires out beyond the back of the power head as you flip the unit upside-down again.

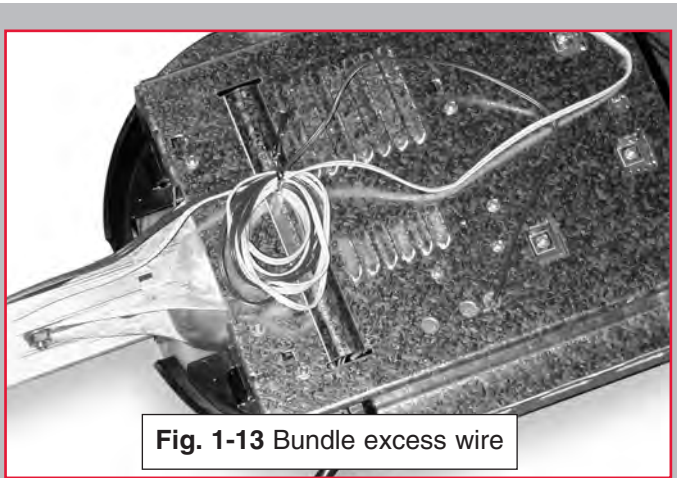


Fig. 1-13 Bundle excess wire

LIMIT SWITCH WIRING CONNECTIONS

NOTE: Loosen (Do Not Remove) screws from terminals.

15. Connecting limit switch wires to terminals (Fig. 1-14).

- Connect one "OPEN" limit switch (white) wire to terminal 4.
- Connect the other "OPEN" limit switch (white) wire and one "CLOSE" limit switch (brown) wire to terminal 5.
- Connect the other "CLOSE" limit switch (brown) wire to terminal 6.

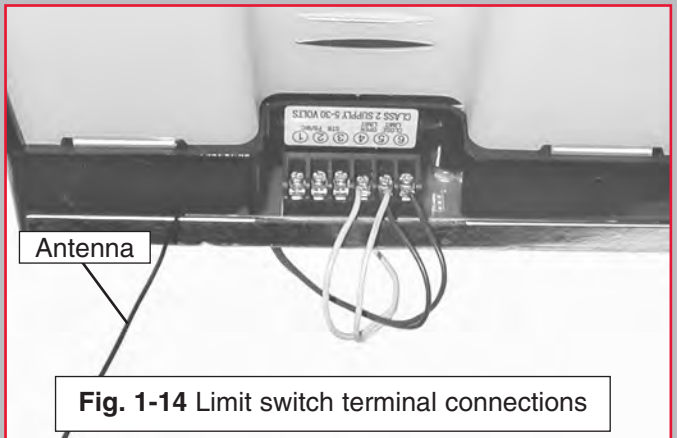


Fig. 1-14 Limit switch terminal connections

16. Attach emergency release knob and cord (Fig. 1-15).

- Tie overhand knot at one end of cord.
- Thread opposite end of cord through knob and hole in carriage lever.
- Tie overhand knot at this end of cord.

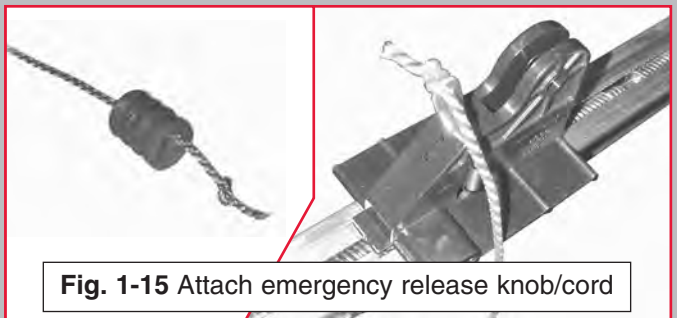


Fig. 1-15 Attach emergency release knob/cord

17. Attach emergency release tag (Fig. 1-16).

- Thread wire through small hole in carriage lever.
- Wrap wire around itself, tie tight.

NOTE: If your garage is equipped with only one entrance — please consider installing an optional Emergency Release Kit. See page B.

If you have not yet recorded the model and serial numbers, do it now prior to installation.

FILL THIS IN AT TIME OF INSTALLATION FOR YOUR OWN RECORDS,
SO THAT IT WILL BE AVAILABLE IF YOU EVER NEED TO CALL US.

Date Purchased ____/____/____

Serial Number(see pg. 6 for location) _____

Operator Model _____

Remote Control Model(see page 23 for location) _____

Dealer Name _____



Fig. 1-16 Attach emergency release tag

OPERATOR INSTALLATION

WHAT TYPE OF DOOR DO YOU HAVE?

Look at the photos on the right. Door type determines which of the remaining installation steps apply to you.

12

NOTE: Will Not Operate twice as fast on a one-piece door.

1. Determine type of garage door (Fig. 1-17).

Type One

Track-guided doors—May be sectional or one-piece (rare) with wheels attached which ride within a metal “track.”

Type Two

Trackless—One piece doors only, normally uses a system of very heavy framework for bracing, and has no “track” but swings on large spring loaded hinges or pivots at either side of the door.

FOR TRACK GUIDED DOORS

2. Find center of door and header* (Fig. 1-18).

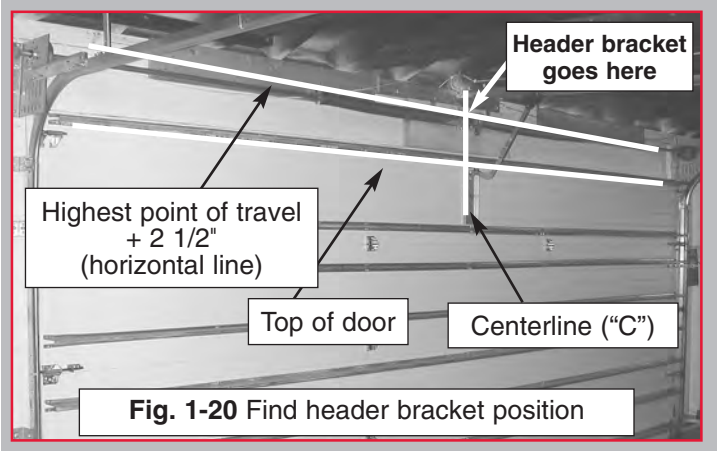
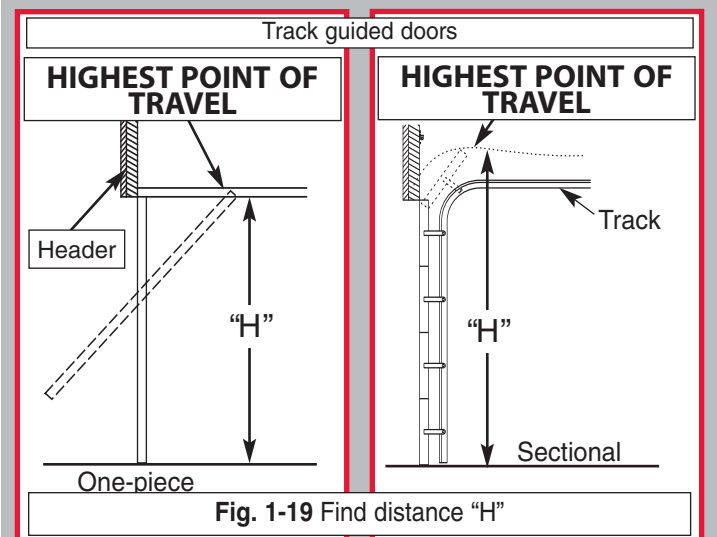
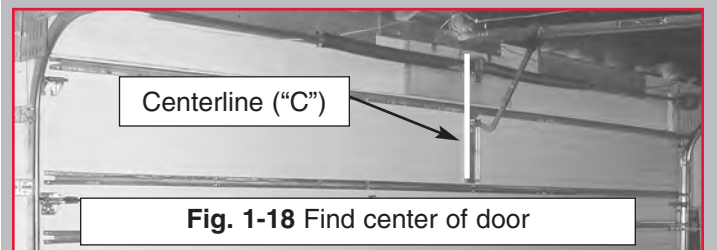
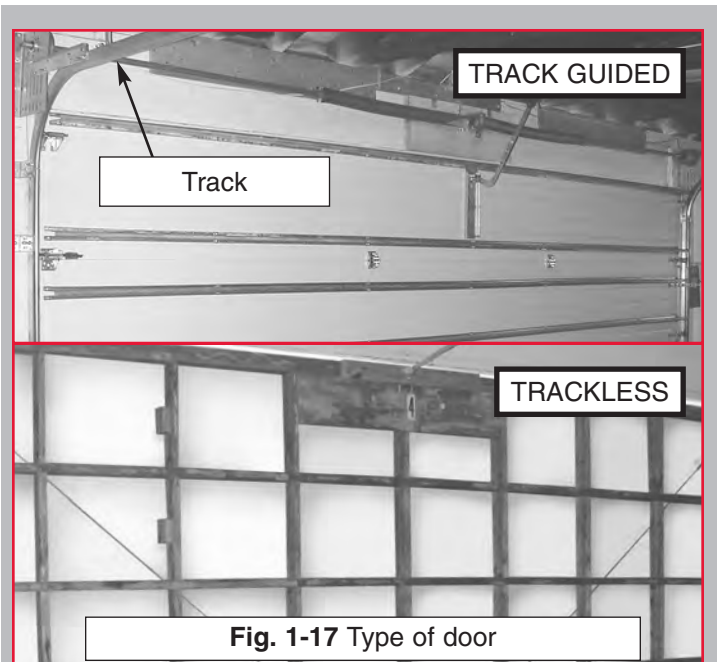
- Close door.
- Measure door width.
 - Mark a vertical line (“C”) in the center on inside of door and header.

3. Find header bracket position.

- Raise door, watching top edge of door.
- Stop door when edge reaches highest point of travel.
- Measure distance from top edge of door to floor (distance “H”) (Fig.1-19).
 - add 2-1/2 inches to “H” (Fig. 20).
- Draw horizontal line across line “C” at this height on header.

NOTE: If spring is in the way, place header bracket above spring. Do Not Move Door Spring.

*** The header is a heavily reinforced section of the wall just above the top of the garage door opening. Usually consisting of an engineered lumber beam or layers of 2" x 12" lumber and particle board sandwiched together.**



FOR TRACKLESS DOORS

2. Find center of door and header (Fig. 1-21).

- Close door.
- Measure door width.
 - Mark a vertical line (“C”) in the center on the inside door and header.

3. Find header bracket position.

- Raise door, watching top edge of door.
- Stop door when edge reaches highest point of travel.
- Measure distance from top edge of door to floor (distance “H”) (Fig.1-22).
- Add 6 inches to distance “H” (Fig.1-23).
- Draw horizontal line across line “C” at this height on header.

NOTE: Operator Will Not Operate twice as fast on a one-piece door.

CAUTION

Header bracket must be fastened to garage framing. Do Not fasten to drywall, particle board, plaster or other such material.

It may be necessary to attach a board across the wall studs above the door header, to serve as a mounting plate for the header bracket, so the bracket can be mounted at the proper location and have sufficient support.

OPEN ORANGE PARTS BAG

4. Mount header bracket.

- Set flange (where boom strap attaches to bracket) on your vertical line (Fig. 1-23).
- Set bottom of bracket on your horizontal line. (Fig. 1-24).
- Mark 2 hole positions.
- Drill two 5/32 inch holes.
- Attach bracket with 2 lag screws [30].

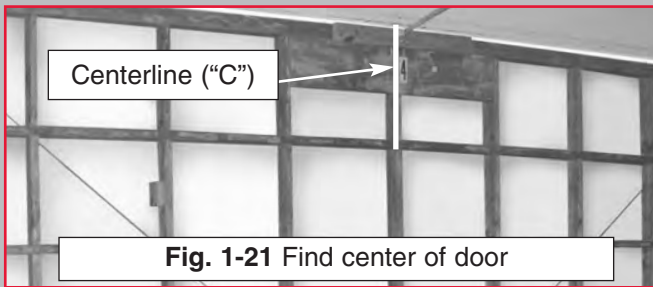
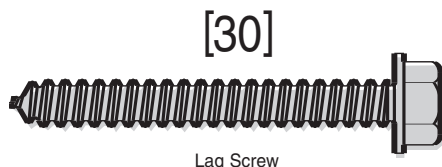


Fig. 1-21 Find center of door

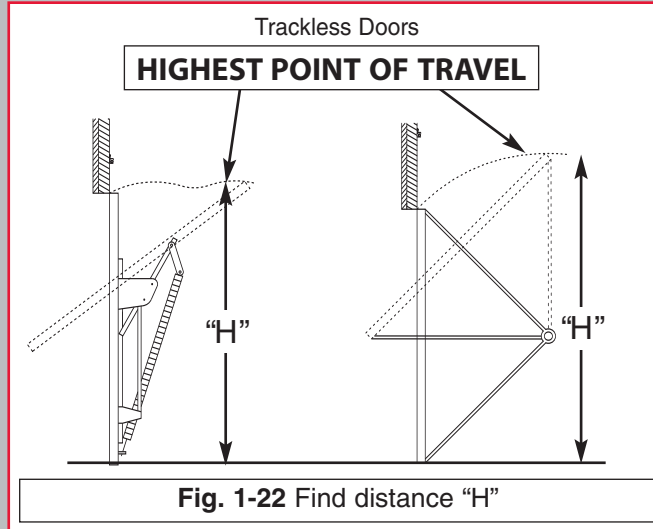


Fig. 1-22 Find distance “H”

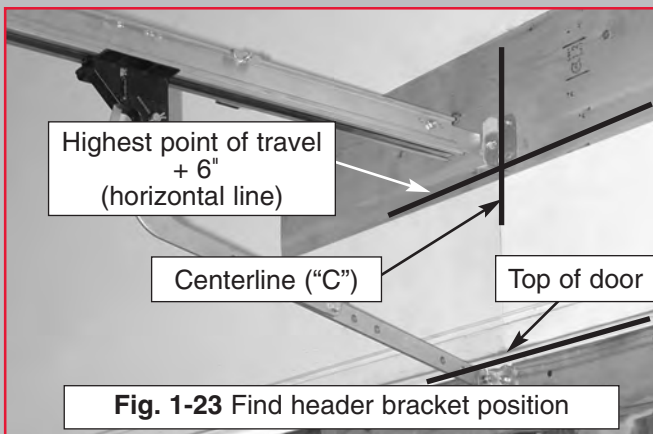


Fig. 1-23 Find header bracket position

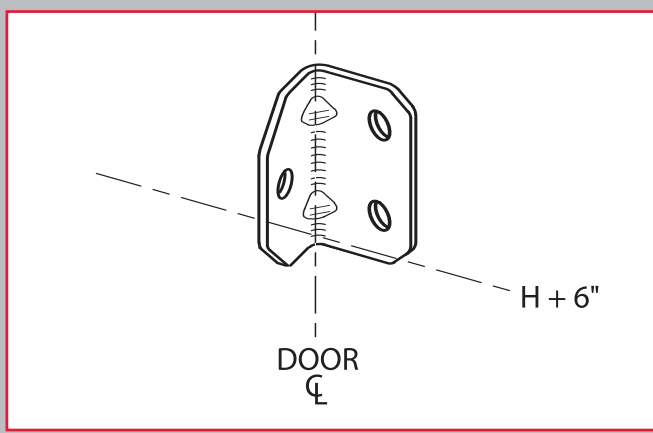


Fig. 1-24 Header bracket orientation

5. Attach boom at header bracket (Fig. 1-25).

- Place threaded end of boom strap through hole on header bracket.
- Finger tighten nut [11] on threads.



6. Find power head position.

- Raise power head and temporarily support above door. (Use step ladder, etc.)
- Open door until the top edge reaches the highest point of travel.
- Center boom above door.

FOR TRACK GUIDED DOORS

- Raise power head until boom is level or slightly below (Fig. 1-26).
- Temporarily support power head.

FOR TRACKLESS DOORS

- Raise power head until boom is 1 to 1-1/2 inches above door (Fig. 1-27).
- Temporarily support power head.

CAUTION

Mounting brackets must be fastened to garage framing. Do Not fasten to drywall, particle board, plaster or other such materials.

7. Mount power head (Fig. 1-29 next page).

8. Close door.

9. Tighten boom strap nut [11] at header bracket (Fig. 1-28).

10. Install door brace if needed (See caution on next page).

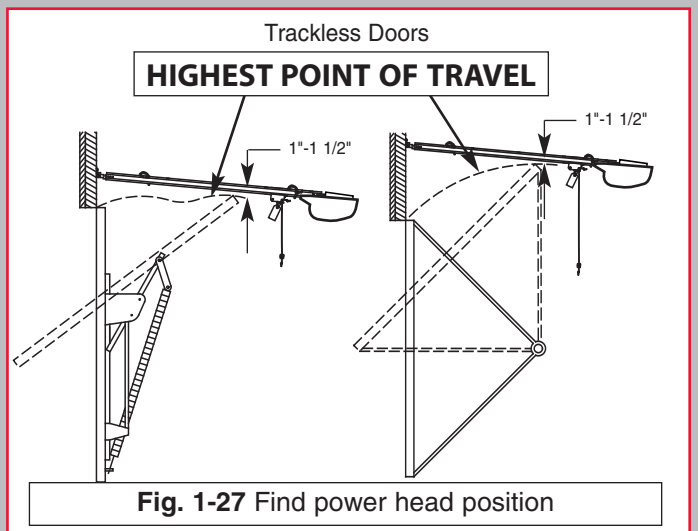
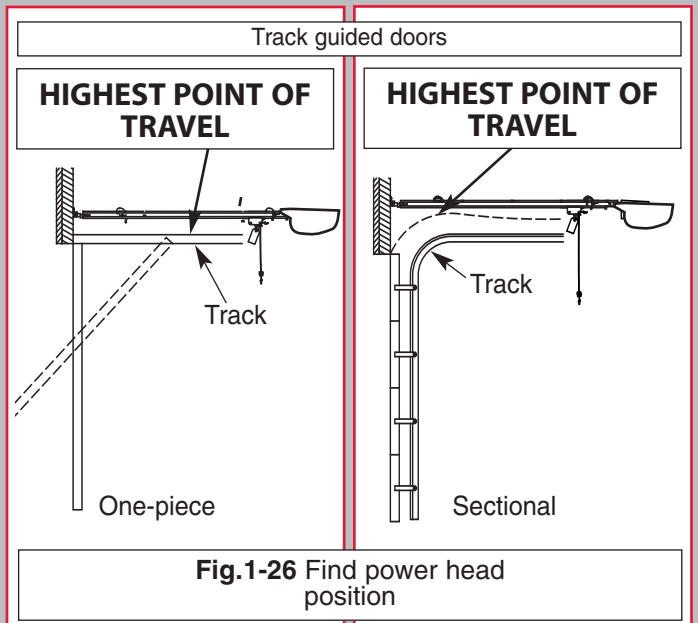
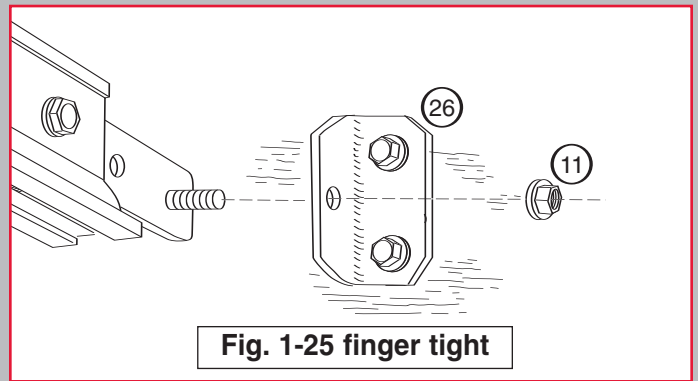
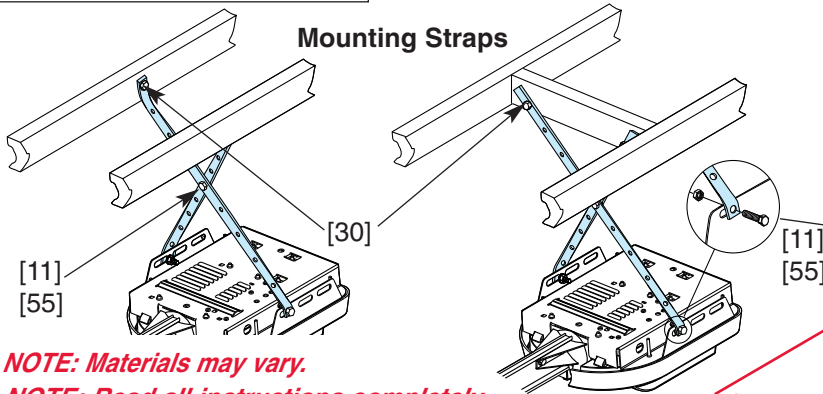
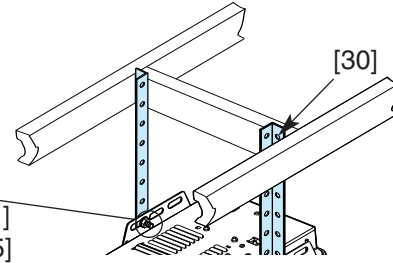


Fig. 1-29 Mounting Methods

OPEN BEAM CEILING



Perforated Angle Iron



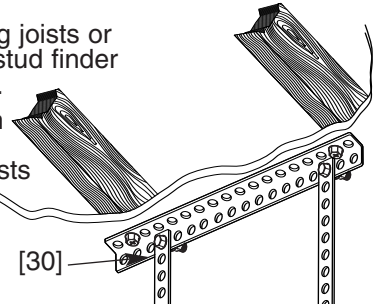
NOTE: Materials may vary.

NOTE: Read all instructions completely. Garage constructions differ, so it may be required to supply extra material and modify instructions.

FINISHED CEILING

Locate the ceiling joists or trusses using a stud finder or similar device.

Attach angle iron (not included on all models) to joists through the finish material using lag screws (30).



10. Install door brace if needed (See caution below).

CAUTION

Doors made of masonite, lightweight wood, fiberglass, and metal must be properly braced before mounting door operator.

NOTE: PRIOR TO PROCEEDING WITH STEP 11 — CONTACT DOOR DISTRIBUTOR FOR INSTRUCTION / ASSISTANCE ON INSTALLING THE DOOR BRACKET

FOR SECTIONAL DOORS

11. Install door bracket (Fig. 1-30A).

- Contact door distributor.
- Locate on centerline, no lower than top rollers (Fig. 1-30B).
- Attach using self-drilling screws [56] for metal doors, or Use lag screws [30] for wooden doors. (Check length of screws vs thickness of door prior to use. Your door may require shorter screws.)

SECTIONAL Doors

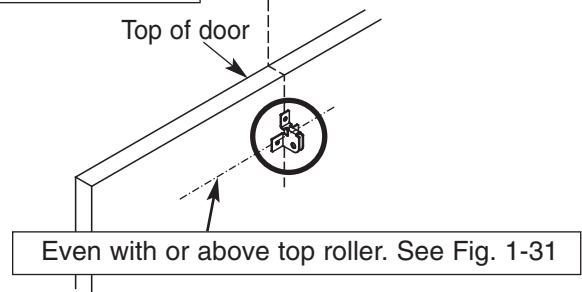


Fig. 1-30A Install Door Bracket

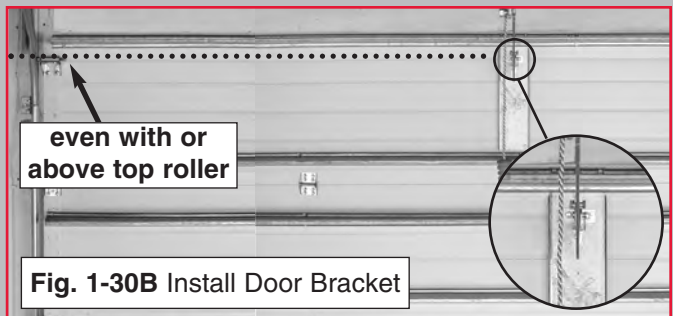


Fig. 1-30B Install Door Bracket

FOR 1-PIECE DOORS

11A. Install door bracket (Fig. 1-31).

- Contact door distributor.
- Mount on centerline as high on the door as possible.
- Attach using self-drilling screws [56] for metal doors, or Use lag screws [30] for wooden doors. (Check length of screws vs thickness of door prior to use. Your door may require shorter screws.)

ONE-PIECE Doors

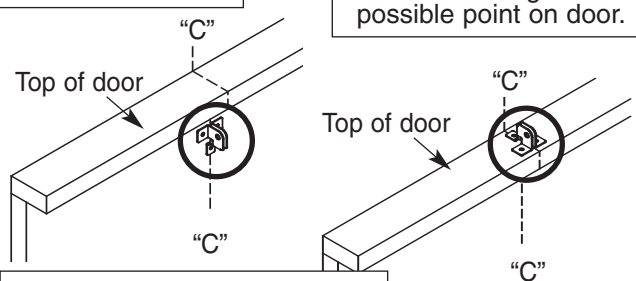
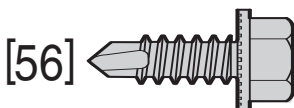


Fig. 1-31 Install Door Bracket



1/4"-20 x 3/4" Self-Drilling Screw



1/4" x 2" Lag Screw

⚠ WARNING

There should be no electrical power to the operator while installing Safe-T-Beam System® wires. If you have plugged in the power cord—UNPLUG IT NOW.

NOTE: Operator will not close door automatically unless the Safe-T-Beam System is installed.

1. Mounting brackets.

- Mark both sides of garage door frame or wall 5" above floor. (Fig. 2-1).
- Hold bracket against door frame or wall.
 - Check if brackets extend out from wall far enough, so tongue of bracket is beyond door, tracks or any door hardware.
 - If not:
 - a. "STB" bracket extensions are available at local dealer.
 - b. Blocks of wood, etc. may be substituted for extensions.
- Center bracket on your mark (Fig. 2-2).
- Fasten each with 2 screws (47) (Fig. 2-2).



NOTE: Mounting brackets can be attached to brick walls or concrete floor using masonry anchors (not provided).

2. Mounting "STB" source and sensor.

- If garage has only one garage door.
 - Determine which side of garage receives most direct sunlight (Fig. 2-4), and place Red LED here whenever possible (Fig. 2-4).
- For multiple doors.
 - Preventing crossed signals is critical.
 - Place source and sensor modules on adjacent doors facing in opposite directions (Fig. 2-4).

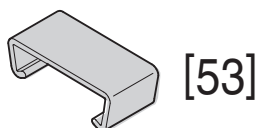
NOTE: To help prevent interference from sun, "STB" sensors (Green LED) may be placed further from the door opening where they will spend more time in shadows.

- Slide source/sensor onto tongue of bracket until it clicks into place (Fig. 2-3).

OPEN RED PARTS BAG

3. Wiring.

- Route wire (37) using either method shown (Fig. 2-5).
- Wires between power head and garage door wall should be run along top of boom.
 - Use wire clips to hold them in place.



- Wires can be slipped under the wire clips already in place.

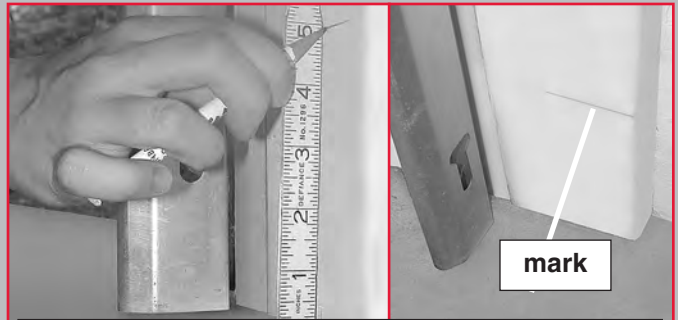


FIG. 2-1 Mark door frame

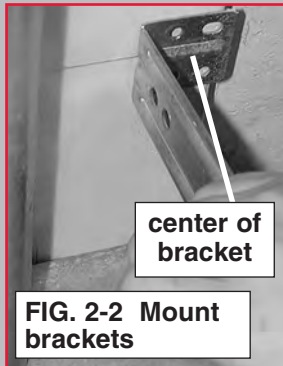


FIG. 2-2 Mount brackets

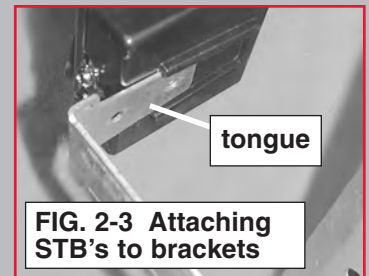


FIG. 2-3 Attaching STB's to brackets

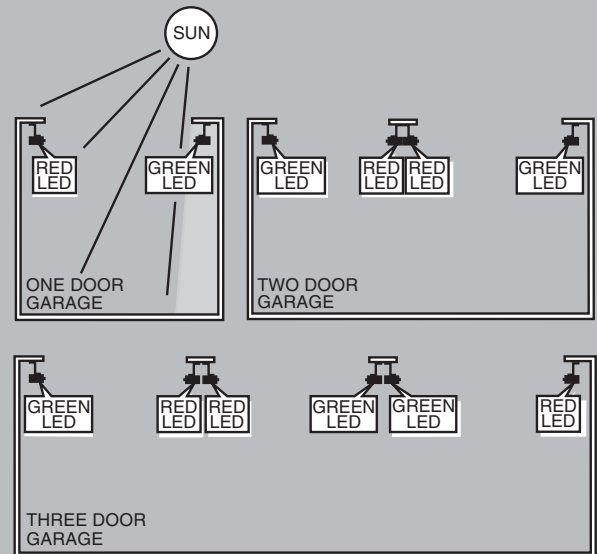


FIG. 2-4 STB locations

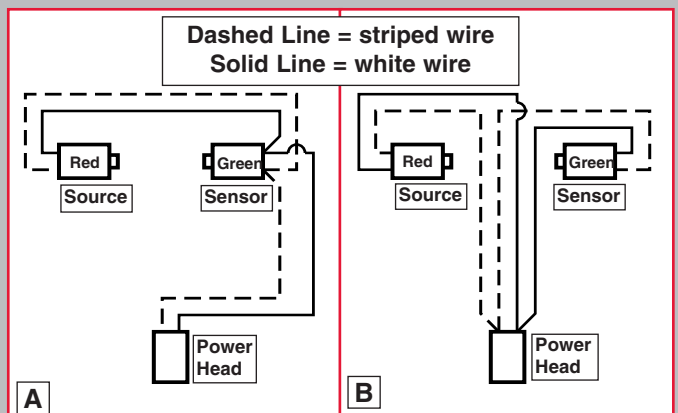


FIG. 2-5 STB wiring methods

OPEN YELLOW PARTS BAG

12. Install door arms (Fig. 1-32).

FOR SECTIONAL DOORS

- Attach straight arm to carriage.
- Secure with clevis [32] and cotter pin [33].
- Attach curved arm to door bracket.
- Secure with clevis [32] and cotter pin [33].

FOR 1-PIECE DOORS

- Attach curved arm to carriage.
- Secure with clevis [32] and cotter pin [33].
- Attach straight arm to door bracket.
- Secure with clevis [32] and cotter pin [33].

13. Close door completely.

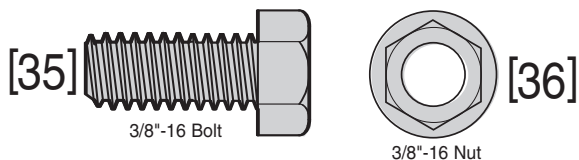
- Make sure emergency release is disengaged.

14. Join door arms (Fig.1-33).

- Overlap door arms.

NOTE: For sectional doors overlap arms as much as possible. Make arm assembly as long as possible for one piece doors.

- Move carriage as necessary to align holes.
 - Secure with bolts [35] and nuts [36].



15. Adjust emergency release cord.

- Pull cord through carriage lever until knob is 6 feet above floor.
- Tie new overhand knot in cord at carriage lever.
- Cut excess cord.
- Check all hardware for tightness.

16. Install light bulbs (not provided)(Fig. 1-34).

- Remove power from operator (if required).
- Lower lens cover.
 - Push in lens latches and pull down on front of lens cover.
- Do Not use short neck bulbs.
- Use bulbs rated for:
 - 60 Watts Maximum.
 - Rough service recommend.
- Screw bulbs into light sockets.

NOTE: Do Not overtighten light bulbs in sockets.

NOTE: Use of 130 Volt lights is recommended for longer bulb life.

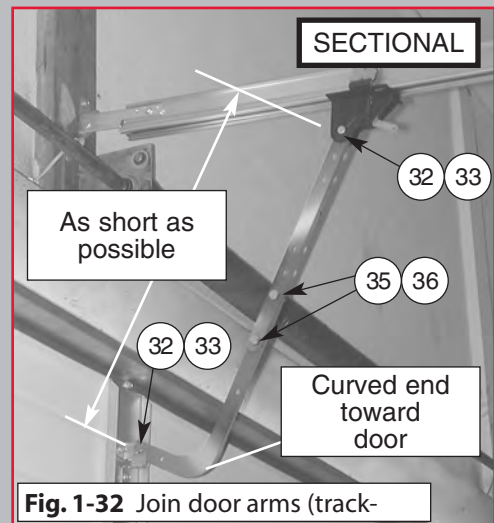


Fig. 1-32 Join door arms (track-

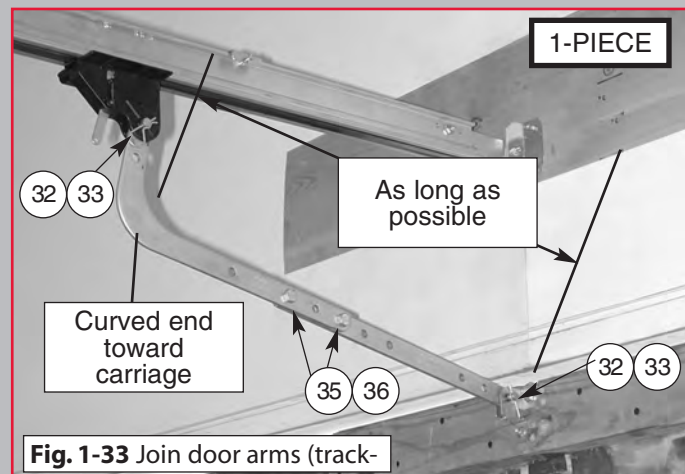


Fig. 1-33 Join door arms (track-

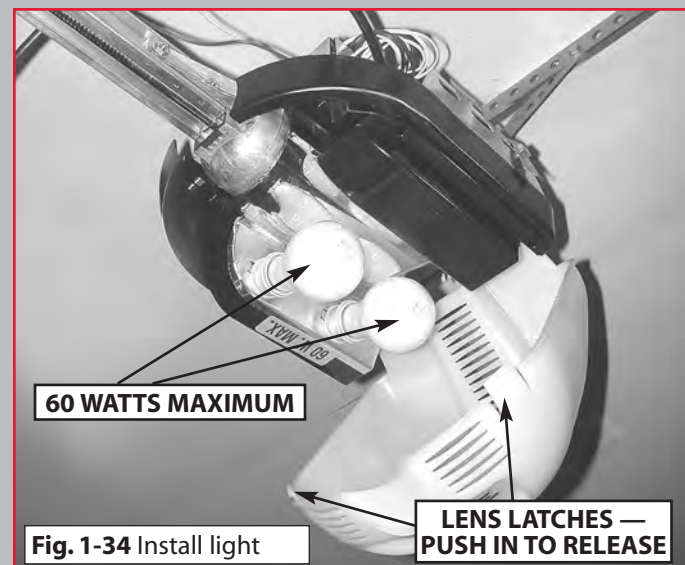


Fig. 1-34 Install light

3. Wiring (cont').

- Securely fasten wires to wall as you go.
 - Use insulated staples (included).



– Staples should be snug only.

⚠ CAUTION

Staples which are too tight can cut or pinch wires. Cut or pinched wires can cause the “STB” System to stop working. When using the insulated staples, make sure you fasten them only as tightly as needed to hold the

- Make wire attachments at “STBs.”
 - Split and strip wire ends to be connected as shown (Fig. 2-6).
 - Loosen terminal screws.
 - Insert wire under flat plate and tighten screw. It does not matter which wire, white or striped, goes on which terminal (Fig. 2-7).
- Make wire attachments at power head.
 - “STBs” are connected to terminals #2 and #3 on power head (Fig. 2-8). It does not matter which wire, white or striped, goes on which terminal.

4. Check the following.

- Insure that no part of door or its hardware is in path between lenses of **source** and **sensor**.
- Insure that tops of lenses are between 5"-6" above the floor (Fig. 2-9). The brackets are flexible, and can be adjusted slightly if needed.

NOTE: “STB” alignment check will be performed following connection to electrical power (see page 20). DO NOT PLUG IN YET!

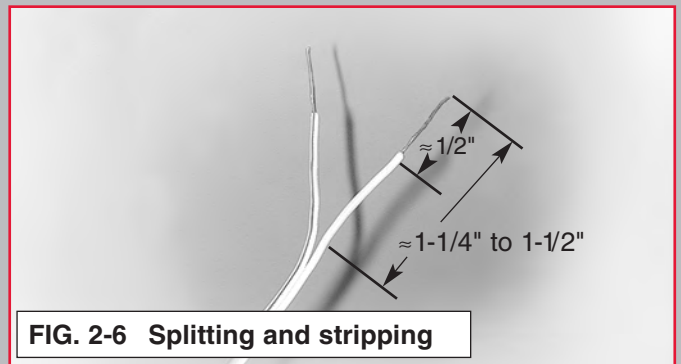


FIG. 2-6 Splitting and stripping



FIG. 2-7 Terminal attachments at STB

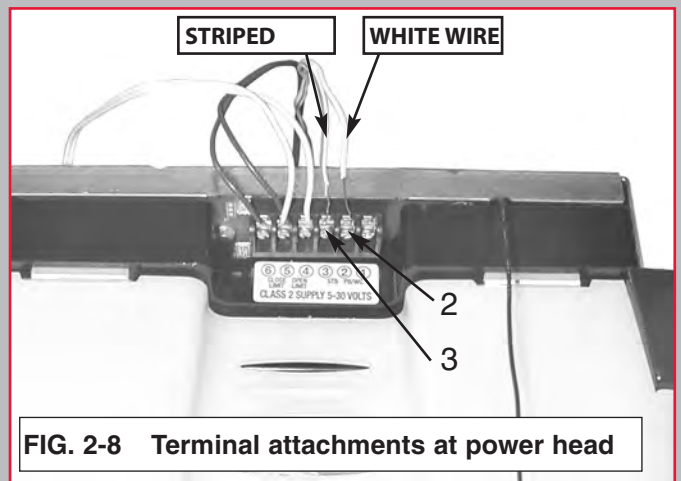


FIG. 2-8 Terminal attachments at power head

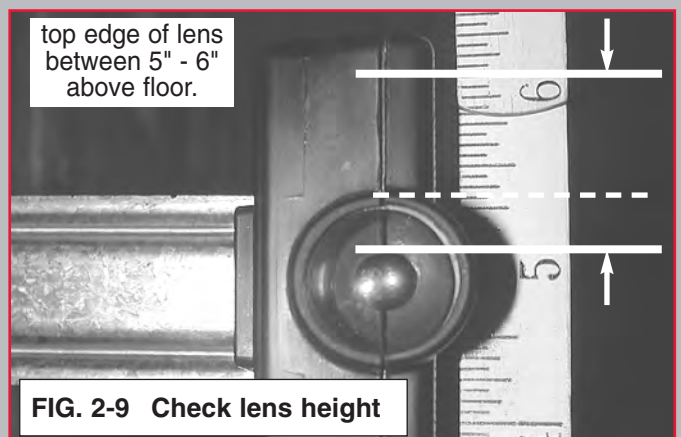


FIG. 2-9 Check lens height

3... WALL CONTROL INSTALLATION

FOR HELP-1.800.929.3667 OR OVERHEADDOOR.COM

⚠ WARNING

Verify there is no power to the operator before installing wall control wires.

⚠ CAUTION

Use of any wall control other than the type supplied will prevent the light from working and could cause the door to operate on its own. Cut or pinched wires can cause the wall control to stop working. When using the insulated staples, make sure you only pound them in as far as needed to hold the wire snugly.

NOTE: Your operator will be supplied with either one of the two wall controls shown in Fig 3-3.

1. Finding the mounting location.

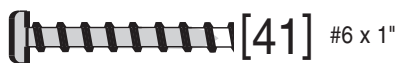
- Pick a convenient location for mounting wall control.
 - Location you choose should be in direct sight of door.
 - It should be at least 5' above floor to prevent small children from operating door.
 - It must be away from any moving parts. (You should not be able to reach the door while standing at wall control.)

2. Wiring.

- Run wire from power head to wall control.
- Securely fasten to ceiling using insulated staples provided.
- Split and strip ends of wire (Fig. 2-6).
- On power head:
 - Attach the **striped wire to terminal #1** and **white wire to terminal #2** (Fig. 3-1).
- On back of wall control:
 - Attach **striped wire to terminal “B”**, and **white wire to terminal “W.”** (Fig. 3-2).

3. Mounting.

- Fasten wall control to wall with 2 screws (wall button use 58) (console use 41) (Fig. 3-3).



- Remove protective backing from “entrapment” warning label (Fig. 3-4).
 - Stick label on wall near wall control.

NOTE: Operating features on page 26.

NOTE: Additional wall controls are available from your dealer. **ONLY ONE OF YOUR WALL CONTROLS MAY BE THE LIGHTED TYPE.** If you have a lighted wall control, all your additional controls must be unlighted. More than one lighted wall control per operator will cause a malfunction.

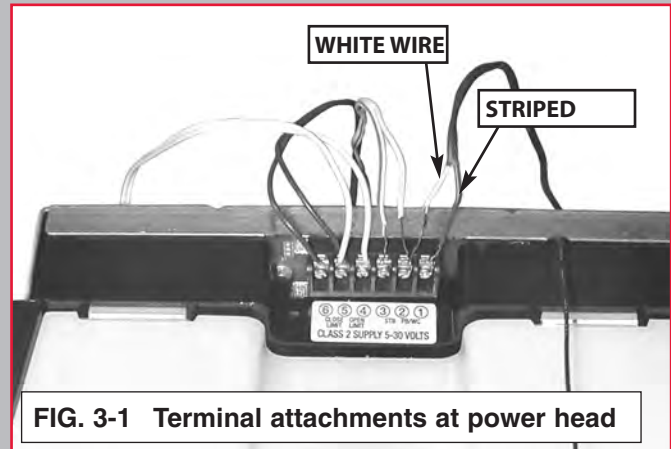


FIG. 3-1 Terminal attachments at power head

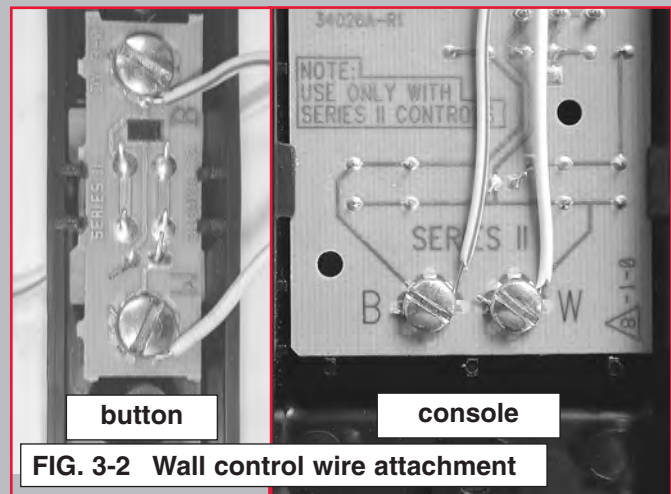


FIG. 3-2 Wall control wire attachment

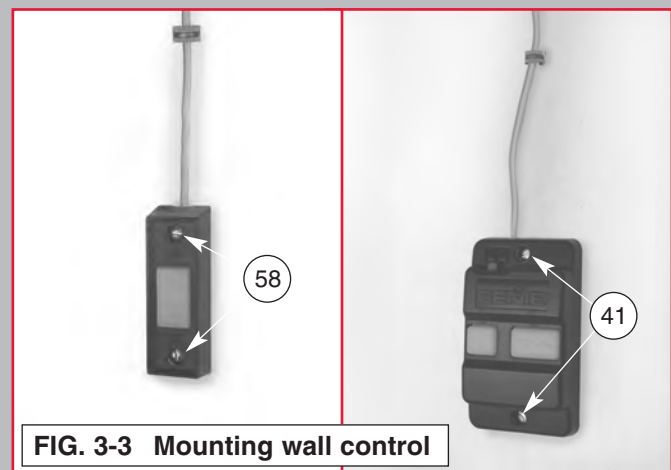


FIG. 3-3 Mounting wall control



FIG. 3-4 Entrapment warning label

⚠ WARNING

To reduce the risk of electrical shock, this equipment has a grounding type plug that has a third (grounding) pin. This plug will only fit into a grounding type outlet. If the plug does not fit into the outlet, contact a qualified electrician to install the proper outlet. **DO NOT** change the plug in any way. The door operator must be properly grounded to prevent personal injury and damage to the components.

The electrical power to the door operator **MUST BE** removed when motor cover is removed. Electrical power must remain off while making electrical connections.

1. Check local building codes.
 - Does building code require permanent wiring?
 - If not, skip to step 9.
 - *If yes, have an electrician perform steps 2 through 8.*

CONNECT POWER WITH PERMANENT WIRING

Instructions for electrician.

2. Remove power from circuit.
3. Remove motor cover (Fig. 4-2).
 - Push in on release tabs (Fig. 4-2) while pulling down on front of lens cover until cover snaps open.
 - Remove 4 screws on motor cover.
 - Slide motor cover down.
4. Remove and discard power cord .
 - Cut off power cord inside power head (Fig. 4-3).

NOTE: There must be at least 6 inches of black and white wire inside the power head.

 - Remove knock-out plug, strain relief, and power cord (Fig. 4-4). (Cut ground on line side of toroid.)
 - Dispose of plug, relief and cord.
5. Install suitable entrance bushing.
6. Connect permanent wiring to power head wires.
 - Connect white supply line to white wire.
 - Connect black supply line to black wire
 - Connect ground to green wire (ground).

NOTE: Use only U.L. recognized wire nuts

7. Replace motor cover (Fig. 4-2).
 - Replace and tighten 4 screws.
 - Close lens cover.
8. Reconnect power to circuit.

CONNECT POWER WITH PLUG

9. Plug in door operator.
 - See warning above.
 - Plug door operator into a grounded outlet.
 - Perform STB® alignment check (Fig. 4-1).

NOTE: Circuit boards are light sensitive. Make sure the cover is installed before energizing the garage door operator.

Safe-T-Beam® Alignment Check

After turning the electrical power on, if the STB's are not in proper alignment, the red LED (Source) will blink continuously.

To correct the problem – the brackets are flexible and can be adjusted slightly to bring the system into alignment.

When the STB's are in alignment the red LED will stop blinking and stay on.

Fig. 4-1

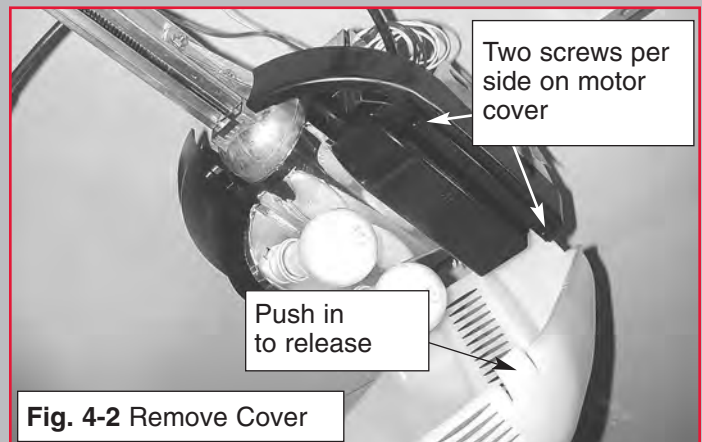


Fig. 4-2 Remove Cover

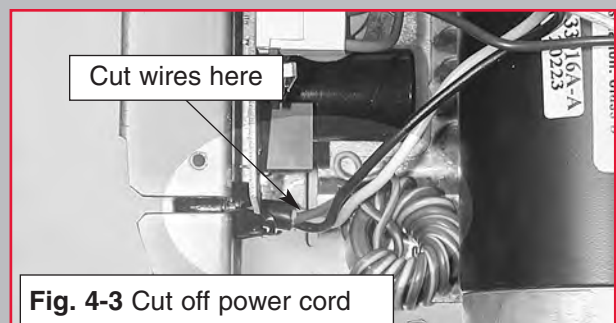


Fig. 4-3 Cut off power cord

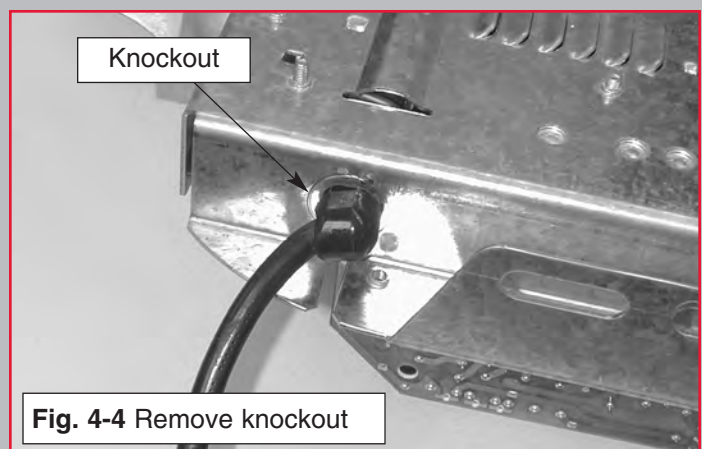


Fig. 4-4 Remove knockout

COARSE LIMIT SWITCH SET

1. Setting "CLOSE" limit switch.
 - Check carriage disengaged.
 - With door fully closed, slide "CLOSE" limit switch until it is aligned with the carriage magnet. (Fig. 5-1)
 - Tighten set screw.
2. Setting "OPEN" limit switch.
 - Manually open door to full open position.
 - Slide "OPEN" limit switch until it is aligned with the carriage magnet.
 - Tighten set screw.
 - Engage carriage.

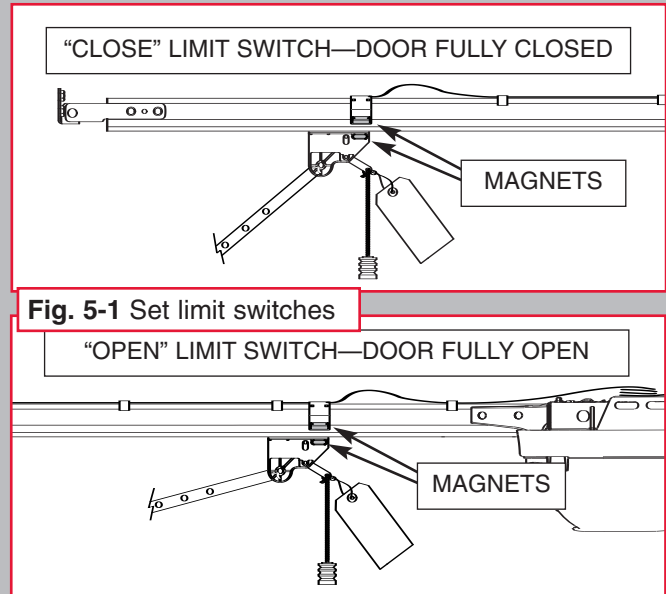


Fig. 5-1 Set limit switches

FINE LIMIT SWITCH SET

NOTE: Door will move slowly the first time it runs, until operator "learns" type of door.

WARNING

- Door opens rapidly, can cause serious injury or death.
- Keep path clear.
 - Position ladder to the side of power head so it is clear of all moving parts of operator and door.

NOTE: Ensure the carriage is in between the two limit switches before beginning operations with power.

1. Adjust "FORCE CONTROLS." Refer to "FORCE ADJUSTMENT" page 22.
2. Adjust "CLOSE" limit switch (Fig. 5-2).
 - Press wall control to close door.
 - If door does not close completely, measure the distance from the bottom of the door to the floor, and move switch that same amount toward doorway.
 - If door reverses, loosen set screw and move switch toward power head.
 - Tighten limit switch set screw.

NOTE: Do Not overtighten limit switch set screws.

3. Adjust "OPEN" limit switch (Fig. 5-2).
 - Press wall control to open door.
 - If door does not open completely, move switch toward power head.
 - If door opens completely, but motor continues to run, move switch toward door.
 - Tighten limit switch set screw.
4. Test door operator.
 - Run door up and down a few times using wall control.
 - Repeat steps 1 and 2 as required to set limit switches.

Transmitter Compliance Statement

Transmitters comply with all United States and Canadian legal requirements as of the date of manufacture. No warranty is made that they comply with all legal requirements of any other jurisdiction. If transmitters are to be used in another country, the importer must determine compliance with any local laws and regulations which may differ from United States and Canadian requirements prior to use.

Los transmisores cumplen con todas las reglamentaciones legales de los Estados Unidos y del Canadá, en la fecha de fabricación. Ninguna garantía se da que cumplan con todas las reglamentaciones legales de ninguna otra jurisdicción. Si los transmisores se van a utilizar en otro país, el importador debe determinar si cumplen con las reglamentaciones y leyes locales que puedan ser diferentes a las reglamentaciones de los Estados Unidos y del Canadá, antes de usar los mismos.

Les metteurs sont conformes à la réglementation américaine et canadienne en comptant de leur date de fabrication. Aucune garantie n'est stipulée indiquant qu'ils sont conformes à toutes les prescriptions juridiques d'autres autorités. Si les metteurs sont utilisés dans d'autres pays, il incombe à l'importateur de déterminer leur conformité aux lois et règlements locaux pouvant différer de celles des États-Unis et du Canada avant toute utilisation desdits metteurs.

Sendeger te entsprechen allen gesetzlichen Bestimmungen in den USA und Kanada zum Zeitpunkt der Herstellung. Wir übernehmen keine Gewährleistung für die Einhaltung aller gesetzlichen Bestimmungen in anderen Ländern. Sollen Sendeger te in anderen Ländern eingesetzt werden, so muss der Importeur vor dem Gebrauch sicherstellen, dass die Sendeger te auch solchen lokalen Bestimmungen entsprechen, welche von den Bestimmungen der USA und Kanadas abweichen.

截止于制造日期,传动装置符合美国和加拿大的所有法律要求。不提供传动装置符合任何其他司法地区所有法律要求之担保。如果传动装置需在任何其他国家使用,进口商必须在使用之前确定装置符合与美国和加拿大要求不同之所有地方法规条例。

トランスミッターは、製造日付けのアメリカ合衆国及びカナダの法的条件に準拠します。しかしながら、トランスミッターがアメリカ合衆国及びカナダ以外の国の法的条件に準拠するか否かは一切保証できません。トランスミッターがアメリカ合衆国及びカナダ以外の国で使用される場合、同製品の使用に先立つ法規制がこれらの国々と異なることがあるため、輸入者は同製品が輸入国の法規制に準拠することを確認しなければなりません。

트랜스미터들은 미국과 캐나다 전역에서 제조 날짜를 명기해야 하는 요구사항에 따라야 합니다. 기타 다른 관할권의 모든 법적인 요구 사항에 따라야 하는 책임은 없습니다. 만일 트랜스미터들이 기타 다른 지역에서 사용될 경우 수입업자는 사용하기에 앞서 미국과 캐나다와의 요구사항과는 다를지도 모르는 그 지역의 법과 조례에 따라야 할지의 여부를 결정해야 합니다.

FORCE ADJUSTMENT

! WARNING

Door opens rapidly.

- Keep path clear.
- Position ladder to the side of power head so it is clear of all moving parts of operator and door.

Set door operator to use minimum force needed to operate door.

1. Adjust "OPEN FORCE" (Fig. 5-2).
 - Place door in closed position using wall control.
 - Open lens cover.
 - Find "OPEN FORCE" knob on power head.
 - Turn knob gently counterclockwise until it stops.

NOTE: Little effort is required to turn adjusting knob.

- Run operator using wall control.
- Observe door runs to "OPEN" limit switch.
 - If not turn "OPEN FORCE" knob clockwise slightly.
- Repeat running door and adjusting force knob until door runs to "OPEN" limit switch.

NOTE: Set minimum force needed to make door open.

2. Adjust "CLOSE FORCE" (Fig. 5-2).
 - Place door in the open position using wall control.
 - Find "CLOSE FORCE" knob on power head.
 - Turn knob gently counterclockwise until it stops.

NOTE: Little effort is required to turn adjusting knob.

- Run operator using wall control.
- Observe door runs to "CLOSE" limit switch.
 - If not turn "CLOSE FORCE" knob clockwise slightly.
- Repeat running door and adjusting force knob until door runs to "CLOSE" limit switch.
- Close lens cover.

NOTE: Set minimum force required to make door close.

NOTE: To protect your new investment, your Excelerator® is equipped with a timer and cycle counter which work together to prevent any chance of heat damage to electrical circuits caused by too many cycles in too short a time. If your operator suddenly stops responding to the wall button—DO NOT UNPLUG THE UNIT—simply wait 10 minutes for the timer/cycle counter to reset itself, and try again.

(Unplugging the unit will prevent the timer/cycle counter from resetting.)

CONTACT REVERSE

Limit switch adjustments must be completed before checking contact reverse.

1. Check contact reverse.
 - Open door using wall control.
 - Lay 2" x 4" board flat in center of doorway (Fig. 5-3).
 - Close door using wall control.
 - Door stops and reverses when it hits board within 2 seconds, if properly set.

NOTE: If door does not reverse, decrease "CLOSE" force until door reverses.

NOTE: If door still does not reverse, move limit switch toward door.

NOTE: Door must contact 2" x 4" before the carriage strikes the "CLOSED" limit switch. If not, adjust the limit switch.

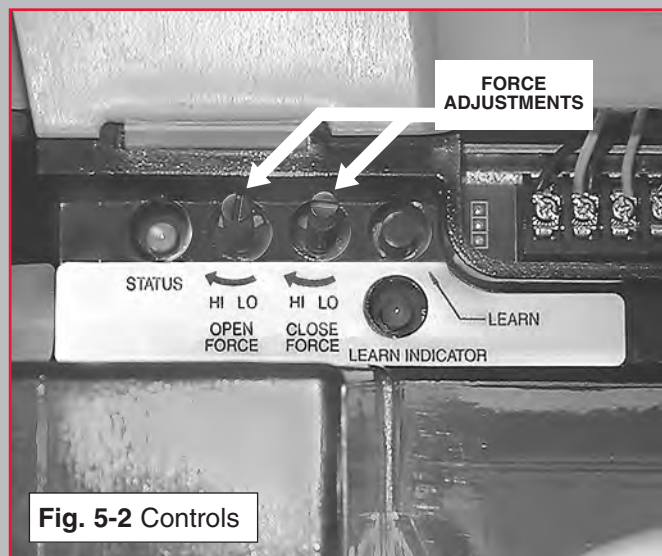


Fig. 5-2 Controls

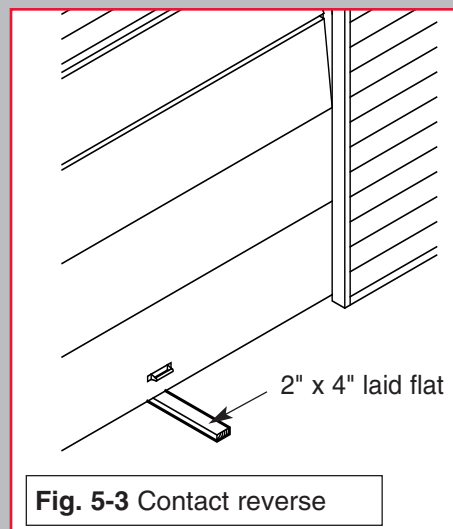


Fig. 5-3 Contact reverse

BATTERY / VISOR CLIP INSTALLATION

1. Install / replace battery (Fig. 6-1).

- Using a pen or similar object, gently push in on tab.
- Cover snaps open. Remove old battery.
- Observe polarity markings (+,-) inside battery compartment.
- Match new battery to polarity markings and install new **EVEREADY** A 23, 12 Volt battery.
- Replace battery cover.

NOTE: Use only **EVEREADY** A23, 12 Volt battery.

2. Attach visor clip (Fig. 6-1).

- Slide clip in slot on back of remote control.
- Snap in place.

PROGRAMMING REMOTE CONTROLS

NOTE: Each remote device must be programmed separately

⚠ WARNING

Moving door can cause serious injury or death.

- Keep people clear of opening while door is moving.
 - Do not allow children to play with remote controls.
- If Safety reverse does not work properly:
- Close door and disconnect operator using emergency release.
 - Do not use door operator, remote controls, or wireless keypad.
 - Refer to door and door operator owner's manuals before attempting any repairs.

NOTE: Remote controls will not close door if STBs malfunction.

NOTE: When programming remote control, it must be at least 24 inches from the antenna.

1. Program one button remote (Fig. 6-3).

- Locate learn code button and learn indicator on power head (Fig. 6-2).
- Lower lens cover.
- Locate learn button on back of power head.
- Press and release learn code button on power head.
- Red learn indicator blinks 2 times per second.
- Press remote control button once within 30 seconds.
- Red learn indicator stays lit.
- Press remote control button again.
- Red indicator goes out and memory is stored.

NOTE: If red indicator blinks approximately 4 times per second, programming has stopped. If programming stops, repeat above steps.

2. Program multi-button remote (Fig. 6-3).

- Repeat step 1 above "Program one-button remote" for each button and operator.

NOTE: Each button on a multi-button remote control is for a different operator. You cannot use more than one button per door.

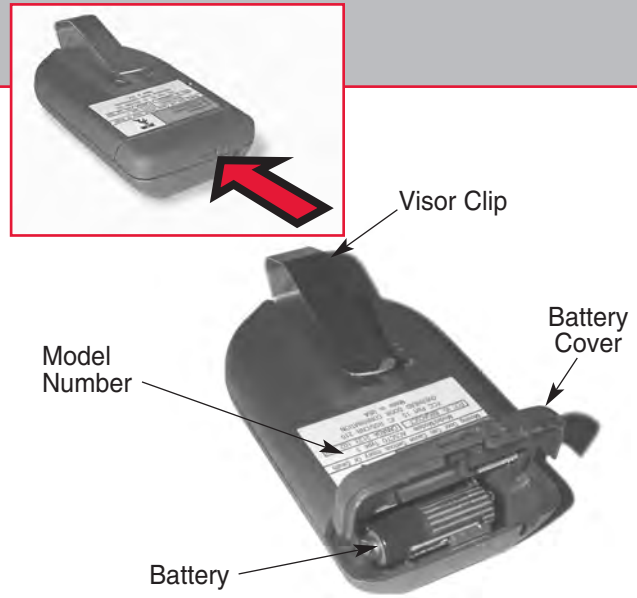


Fig. 6-1 Replacing battery

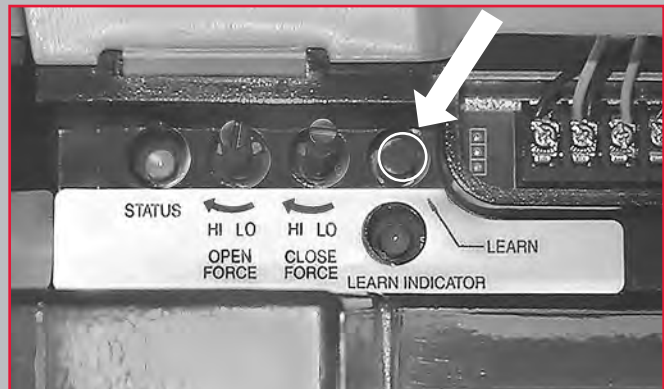


Fig. 6-2 Learn code button/indicator

Complete with **EVEREADY** Battery

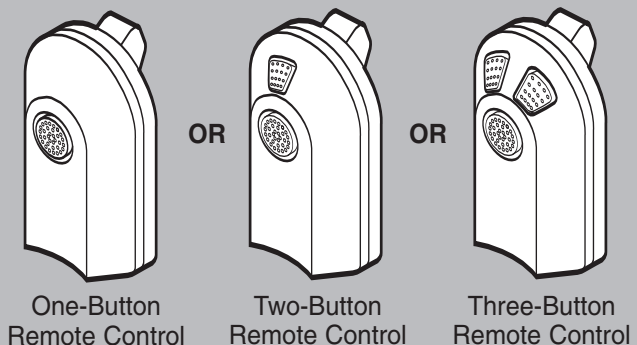


Fig. 6-3 Remote controls. (vary by model)

3. Operate remote control.

- Point remote control at door.
- Press button on remote control.
 - Door moves.
- Press button again.
 - Door stops.
- Press button again.
 - Door reverses.

NOTE: Door automatically stops at end of open or close cycle.

NOTE: A maximum of 7 remote control, wireless keypad and other access device codes can be stored into the receiver at one time. If a remote control becomes lost, or if you want to delete a remote control, wireless keypad or other access device, proceed to next step, **ERASING ALL RECEIVER MEMORY.**

4. Erasing all receiver memory.

- Press and hold learn code button on power head.
 - 10 seconds or until light goes out
- Memory is erased.
- Program door operator again.

FCC and IC CERTIFIED

This device complies with FCC Part 15 and RSS 210 of Industry Canada. This equipment has been tested and found to comply with the limits for a Class B digital device, pursuant to Part 15 of the FCC Rules. These limits are designed to provide reasonable protection against harmful interference in a residential installation. This equipment generates, uses and can radiate radio frequency energy and, if not installed and used in accordance with the instructions, may cause harmful interference to radio communications. However, there is no guarantee that interference will not occur in a particular installation. If this equipment does cause harmful interference to radio or television reception, which can be determined by turning the equipment off and on, the user is encouraged to try to correct the interference by one or more of the following measures:

- Re-orient or relocate the receiver antenna.
- Increase the separation between the operator and receiver.
- Connect the operator into an outlet on a circuit different from that to which the appliance is connected.
- Consult the dealer.

WIRELESS KEYPAD INSTALLATION

NOT INCLUDED WITH ALL MODELS

1. Remove covers (Fig. 6-4).

- Slide keypad cover up and remove.
- Slide battery cover down and remove.
- Remove battery.

2. Mount keypad (Fig. 6-4).

- Find flat vertical surface.
 - With room above to slide cover up.
 - In sight of door and away from moving parts.
 - At least 5 feet from floor, so small children can not reach it.
 - Out of direct weather.
- Mark holes.
- Drill 1/16" holes.
- Fasten with 2 pan head screws [41].
- Slide keypad cover on keypad.

3. Replace battery (Fig. 6-4).

- Slide battery cover down and remove (If required).
- Remove battery.
- Install an **EVEREADY** 1222, 9 volt battery.
- Slide battery cover onto keypad.

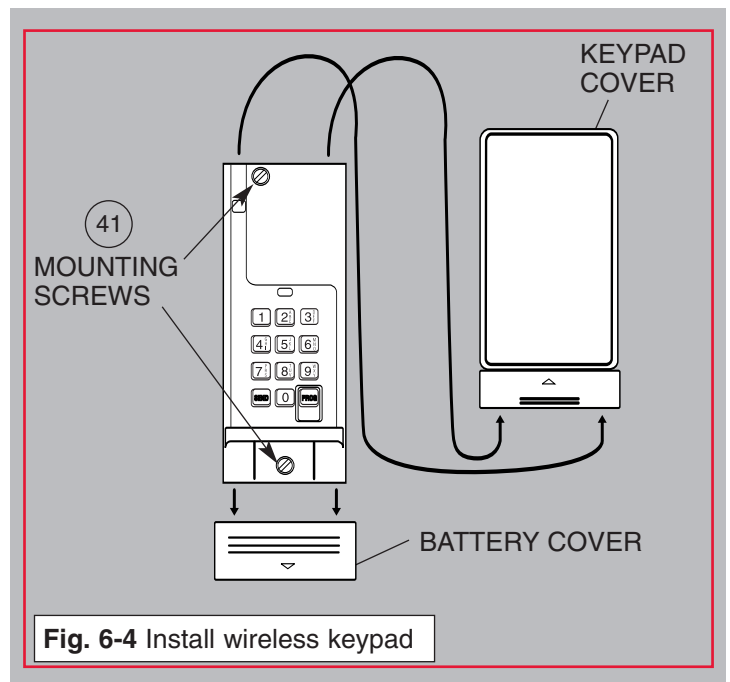


Fig. 6-4 Install wireless keypad

PROGRAMMING WIRELESS KEYPAD

CAUTION

Moving door can cause serious injury or death.

- Keep people clear of opening while door is moving.
 - Do Not allow children to play with wireless keypad.
- If safety reverse does not work properly:
- Close door and disconnect operator using emergency release.
 - Do not use door operator, remote controls, or keypad.
 - Refer to door and door operator owner's manuals before attempting any repairs.

NOTE: *Wireless keypad will not close door if STBs are not working properly.*

NOTE: *When programming wireless keypad, you must be at least 24 inches from the antenna.*

1. Programming personal identification number (PIN) (Fig. 6-5).

- Open cover fully—LED lights.
- Enter “3-5-7.”
- Press “PROG”—LED blinks once per second.
- Enter desired PIN (up to 8 digits).
Press “PROG”—LED blinks 2 times per second.
- Close cover.

NOTE: *If PIN is forgotten, or to change PIN use step 2, then repeat step 1.*

2. Resetting wireless keypad (Fig. 6-5).

- Open cover halfway—LED does not light.
- Press and hold “PROG” and “8.”
- Open cover fully—LED blinks 1 time and goes out.
- Release “PROG” and “8” and close cover.

CAUTION

During programming, door operator could begin to run, so stay away from moving door and its parts. To keep door from moving, close door and disconnect from operator by pulling emergency release.

3. Programming door operator (Fig. 6-6).

- Open lens cover on power head.
- Press operator learn code button—LED blinks.
- Open keypad cover fully.
- Enter PIN on keypad.
- Press “SEND” on keypad—LED stays lit on power head.
- Press “SEND” again—LED on power head goes out.
- Press “SEND” again—motor runs.
- Press “SEND” again—motor stops.
 - Close covers.

NOTE: *Any key will control door within 30 seconds after door begins to move or cover is closed.*

4. Programming a second PIN

- Open keypad cover fully—LED blinks one time (Fig. 6-6).
- Enter “1-5-9.”
- Press “PROG”—LED blinks one time per second.
- Enter desired PIN (up to 8 digits).
- Press “PROG”—LED goes out.
- Close cover.

NOTE: *The second PIN is used to open and close door but does not allow the ability to change any program settings.*

5. Program door operator for second PIN (Fig. 6-5 & 6-6).

- Repeat step 3.

6. Programming a temporary PIN (Fig. 6-5)

- Open cover fully—LED blinks 1 time and goes out.
- Enter PIN 1.
- Press “PROG”—LED blinks 1 time per second.
- Press “PROG” again—LED blinks 2 times per second.
- Enter temporary PIN (up to 8 digits).
- Press “PROG”—LED blinks 3 times per second.
- Close cover.

NOTE: *When using a temporary PIN, keypad does not have to be programmed into the operator.*

NOTE: *Temporary PIN will remain active until the next time PIN 1 is entered.*

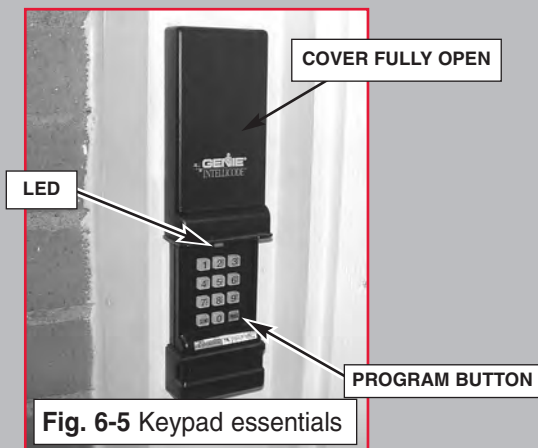


Fig. 6-5 Keypad essentials

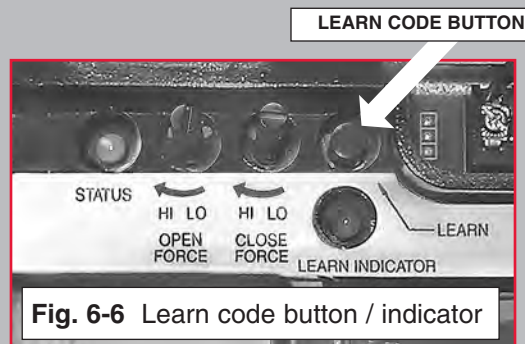


Fig. 6-6 Learn code button / indicator

7. Changing PIN (Fig. 6-5).

- Open cover fully—LED blinks 1 time and goes out.
- Enter PIN you want to change.
- Press “PROG”—LED blinks 1 time and goes out.
- Enter new PIN (up to 8 digits).
- Close cover.

NOTE: Door operator(s) must be programmed when PIN has been changed (see step 3 or 9).

8. Adding more doors to keypad (Fig. 6-5).

- Open cover fully—LED blinks once and goes out.
- Enter PIN 1.
- Press “PROG”—LED blinks once and goes out.
- Press “PROG” again—LED blinks 2 times per second.
- Press “PROG”—LED blinks 3 times per second.
- Enter number of doors (2 or 3).
- Press “PROG”—LED goes out.
- Close cover.

NOTE: Keypad can control up to 3 doors.

NOTE: Each door operator must be programmed to accept the signal from keypad. Decide which door operator will be door 1, door 2 and door 3.

CAUTION

During programming door operator could begin to run, so stay away from moving door and its parts. To keep door from moving, close door and disconnect from operator by pulling emergency release.

9. Programming multiple door operators (Fig. 6-5 & 6-6).

- Press Learn code button on operator.
- Enter PIN 1.
- Press “SEND.”
- Enter door number (1-3).
- Press “SEND.”
- Press “SEND” again to test system.
- Press “SEND” again to test system.
- Close cover.

Repeat step 9 for each door.

NOTE: Any key will control door within 30 seconds after door begins to move or until cover is closed.

10. Operating keypad.

- Open cover.
- Enter PIN.
- Press “SEND.”
- For multiple doors—press door number—Press send.
- Close cover.

FCC and IC CERTIFIED

This device complies with FCC Part 15 and RSS 210. Operation is subject to the following two conditions: (1) This device may not cause harmful interference, and (2) this device must accept any interference, including interference that may cause undesired operation of the device.

Changes or modifications not expressly approved by the manufacturer could void the user's authority to operate the equipment.

IMPORTANT SAFETY INSTRUCTIONS

WARNING

To reduce the risk of severe injury or death:

1. READ AND FOLLOW ALL INSTRUCTIONS.
2. Never let children operate or play with operator controls. Keep remote control away from children.
3. Always keep people and objects away from moving door. Keep door in sight until it is completely closed. **NO ONE SHOULD CROSS THE PATH OF THE MOVING DOOR.**
4. Test operator monthly. The door **MUST** reverse on contact with a 1-1/2 inch object (or a 2" x 4" board laid flat) at the center of the doorway on the floor. After adjusting either the force or the limit of travel, retest the door operator. Failure to adjust the operator properly may cause severe injury or death.
5. If possible, use the emergency release only when the door is closed. Use caution when using this release with the door open. Weak or broken springs may cause the door to fall rapidly causing severe injury or death.
6. **KEEP DOOR PROPERLY BALANCED.** See door owner's manual. An improperly balanced door could cause severe injury or death. Have a qualified service person make repairs to cables, spring assemblies, and other hardware.
7. The electrical power to the door operator **MUST BE** turned off when cover is removed. Electrical power must remain off while making electrical connections.

8. **SAVE THESE INSTRUCTIONS.**

INTELLICODE® Access Security System.

- Improves security of door operator by continuously changing the access code each time the remote control is used.
- The door operator responds to each new code only once.
- An access code copied from a working system and tried again will not control the door operator.

INTELLICODE® One-Button Remote Control.

- Controls door operator by allowing the garage door to be opened and closed remotely.

INTELLICODE® Multi-Button Remote Control.

- Operates multiple door operators.
- On a multi-button remote each button controls a different operator.

Lighted Wall Button (some models).

- Operates door operator from inside garage. DO NOT use with lighted wall console.

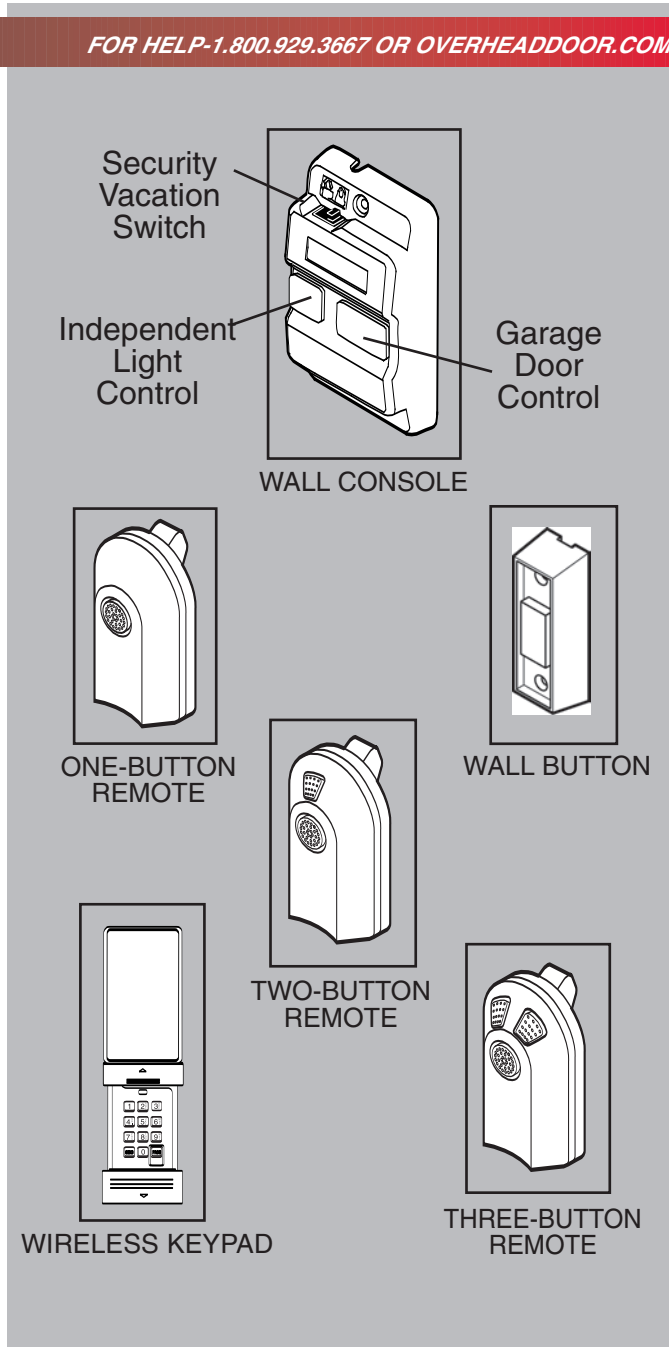
Wall Console (some models).

- Works like a lighted wall button but includes.
 - Security vacation lock switch which disables all controls.
 - LED Indicator shows whether system is powered, locked or unlocked. Makes console easy to find in dark.
- Controls door opener from inside garage.
- Independent light control allows convenient manual control of the operator’s lighting system.

Wireless Keypad.

- Operates up to 3 door operators from outside the garage, and includes battery saver (If cover is left open keypad automatically shuts itself off) and security lockout system (after 3 wrong PIN entries, reprogramming is required).

NOTE: All items may not be supplied with your garage door operator.



DOOR SPRINGS and DOOR HARDWARE.

- Oil door rollers, bearings, and hinges.
 - Use silicone lubricant or light oil.

NOTE: Do not operate door automatically or manually if springs are broken. CONTACT A PROFESSIONAL FOR SERVICE.

BALANCE DOOR.

- Close door.
- Release carriage from boom assembly
 - Pull emergency release knob down
- Raise door manually about 3 feet
 - Door should stay in that position

NOTE: If door moves, HAVE DOOR SERVICED BY A PROFESSIONAL.

- Reattach carriage to boom assembly.
 - Pull emergency release knob toward power head.
- Close door.

CONTACT REVERSE

- Lay 2” x 4” board flat on the floor in the center of garage doorway. (See “CONTACT REVERSE” on page 22.)
- Close door using wall button or remote control.

NOTE: If door fails to reverse on contact with board, see CONTACT REVERSE section. If operator still fails, replace operator or HAVE THE OPERATOR SERVICED BY A PROFESSIONAL.

YEARLY

Drive Screw

- Lubricate drive screw.
 - Use GLU4 lubricant.

28

CAUTION

Use only GLU4 lubricant, because other lubricants may damage operator.

TROUBLESHOOTING GUIDE

STB SELF-DIAGNOSTIC TROUBLESHOOTING

SOURCE (RED LED)	SENSOR (GREEN LED)	INDICATED CONDITION	REQUIRED ACTION
● ON	● ON	NORMAL OPERATION	NONE REQUIRED
○ OFF	○ OFF	1. POWER HEAD NOT POWERED 2. WIRING FROM POWER HEAD BAD	1. CHECK BREAKERS, FUSES, PLUGS 2. CHECK WIRING FOR OBVIOUS SHORTS
○ OFF	● ON	1. WIRING TO SOURCE MISSING OR BAD 2. POWER HAS BEEN INTERRUPTED	1. CHECK WIRING 2. REMOVE POWER AND REAPPLY
2 BLINKS, PAUSE (REPEAT)	● ON	1. BEAM NOT ALIGNED 2. BEAM OBSTRUCTED 3. SENSOR DEFECTIVE	1. CHECK ALIGNMENT 2. CHECK FOR OBSTRUCTION 3. CALL CUSTOMER SERVICE
2 BLINKS, PAUSE (REPEAT)	○ OFF	1. WIRE TO SENSOR MISSING OR BAD 2. SENSOR DEFECTIVE	1. CHECK WIRING 2. CALL CUSTOMER SERVICE
3 BLINKS, PAUSE (REPEAT)	● ON	1. SENSOR RECEIVING INTERFERENCE	1. ATTEMPT TO DETERMINE SOURCE OF INTERFERENCE 2. CALL CUSTOMER SERVICE
4 BLINKS, PAUSE (REPEAT)	● ON	1. SOURCE NOT SENDING PULSES 2. SOURCE DEFECTIVE	1. CALL CUSTOMER SERVICE 2. CALL CUSTOMER SERVICE

NOTE: IF OPERATING PROBLEM EXISTS, THE DOOR CAN BE CLOSED IF YOU: 1. DISCONNECT THE STB SYSTEM FROM THE OPERATOR AND 2. HOLD WALL CONTROL BUTTON DOWN UNTIL DOOR IS CLOSED. (REMOTE CONTROL & WIRELESS KEYPAD WILL NOT WORK WITHOUT STB)

CUSTOMER SERVICE: 1.800.929.3667 OR www.overheaddoor.com

OPERATOR SELF-DIAGNOSTIC TROUBLESHOOTING

INDICATION*	PROBLEM	WHAT TO DO	REFERENCE
1 BLINK, PAUSE (REPEAT)	MOTOR DRIVE BOARD INTERRUPT	1. RESET OPERATOR—UNPLUG AND WAIT 5 SECONDS. PLUG BACK IN AND ACTIVATE FROM WALL CONTROL.	1. SEE DOOR SAFETY GUIDE.
	NORMAL OPERATION RESTORED	1. FIRST CYCLE WILL RUN AT SLOW SPEED.	
	IF THE PROBLEM REOCCURS	1. CHECK DOOR CONDITION. NOTE: THIS OPERATOR IS EQUIPPED WITH AN AUTOMATIC GARAGE DOOR BALANCE DETECTION SYSTEM. AN IMPROPERLY BALANCED DOOR, DAMAGED OR WORN COUNTERBALANCE SPRING, BINDING DOOR HARDWARE OR ROLLERS MAY RESULT IN A "ONE BLINK" SIGNAL. 2. CONTACT CUSTOMER SERVICE FOR FURTHER ASSISTANCE.	
	OPERATION NOT RESTORED	1. CHECK FUSE ON MOTOR DRIVE BOARD (QUALIFIED SERVICE REPRESENTATIVE). 2. CHECK DOOR CONDITION. 3. MAKE SURE RIBBON CABLE FROM MOTOR DRIVE BOARD IS PROPERLY INSERTED INTO CONTROL BOARD (QUALIFIED SERVICE REPRESENTATIVE). 4. CONTACT CUSTOMER SERVICE FOR FURTHER ASSISTANCE.	1. PAGE 6, FIG. 1G. 2. SEE DOOR SAFETY GUIDE
2 BLINKS, PAUSE (REPEAT)	CONTROLLER BOARD INTERRUPT	1. RESET OPERATOR—UNPLUG AND WAIT 5 SECONDS. PLUG BACK IN AND ACTIVATE FROM WALL CONTROL. 2. MAKE SURE RIBBON CABLE FROM MOTOR DRIVE BOARD IS PROPERLY INSERTED INTO CONTROL BOARD (QUALIFIED SERVICE REPRESENTATIVE). 3. CONTACT CUSTOMER SERVICE FOR FURTHER ASSISTANCE.	
3 BLINKS, PAUSE (REPEAT)	OPERATOR OVERHEATED OR OVERCYCLED	1. DO NOT UNPLUG OPERATOR. WAIT 10 MINUTES FOR INTERNAL CLOCK TO PROVIDE ADDITIONAL CYCLES. CYCLES ARE RESTORED AT A RATE OF 5 CYCLES PER 10 MINUTES AT REST. 2. CONTACT CUSTOMER SERVICE FOR FURTHER ASSISTANCE.	
4 BLINKS, PAUSE (REPEAT)	FORCE SETTINGS INCORRECT	1. CHECK FORCE SETTINGS. NOTE: FORCE SETTINGS ARE NOT PRE-SET AT THE FACTORY. 2. CHECK DOOR CONDITION. 3. CONTACT CUSTOMER SERVICE FOR FURTHER ASSISTANCE.	NOTE. PAGE 21. 2. SEE DOOR SAFETY GUIDE
5 BLINKS, PAUSE (REPEAT)	SAFE-T-BEAM® MALFUNCTION	1. CHECK SAFE-T-BEAM® SELF-DIAGNOSTIC SYSTEM. NOTE: SAFE-T-BEAM SYSTEM MUST BE INSTALLED AND OPERATIONAL TO ALLOW THE DOOR TO CLOSE. 2. CONTACT CUSTOMER SERVICE FOR FURTHER ASSISTANCE.	1. PAGE 17-18.
6 BLINKS, PAUSE (REPEAT)	WALL CONTROL DOES NOT WORK	1. CHECK WALL CONTROL WIRING FOR SHORTS, TIGHT STAPLES OR PINCHED WIRES. 2. CHECK WIRING CONNECTIONS AT POWER HEAD AND WALL CONTROL. 3. CONTACT CUSTOMER SERVICE FOR FURTHER ASSISTANCE.	2. PAGE 19.
7 BLINKS, PAUSE (REPEAT)	LIMIT SWITCHES NOT WORKING	1. CHECK LIMIT SWITCH WIRE CONNECTIONS TO TERMINALS ON POWER HEAD. 2. CHECK FOR SHORTED OR PINCHED WIRES UNDER LIMIT SWITCH BRACKETS. 3. CONTACT CUSTOMER SERVICE FOR FURTHER ASSISTANCE.	1. PAGE 10-11.
8 BLINKS, PAUSE (REPEAT)	WALL CONTROL LOCKED	1. VACATION LOCKING SWITCH ON WALL CONTROL IS IN "LOCK" MODE. UNLOCK VACATION LOCKING SWITCH. 2. CONTACT CUSTOMER SERVICE FOR FURTHER ASSISTANCE.	1. PAGE 24.

***NOTE:** THE STATUS LED IS LOCATED UNDER THE LENS COVER. THE GREEN LED WILL TURN ON, THEN OFF WHEN POWER IS APPLIED TO OPERATOR. IF LED STAYS ON—CHECK CONTROLLER BOARD (QUALIFIED SERVICE REPRESENTATIVE) PAGE 6 ITEM 1H.

⚠ CAUTION

Use wall control supplied with operator. Any other wall control can cause the operator to operate unexpectedly and light not to work

Operator does not run from wall control.

- Check power source.
 - Plug a lamp into outlet used for power head. If lamp works, power source is OK.
 - If not, check fuse or circuit breaker or noncompatible GFCI (*We recommend replacing noncompatible GFCI receptacle. (Any electrical work should be conducted by a qualified person who understands electrical circuitry.)*)
- Check ribbon connector between boards (qualified service representative).
- If power is OK:
 - Check connections at power head terminals. Page 19, Fig. 3-1.
 - Check connections at wall control. Page 19, Fig. 3-2.
 - Check operator troubleshooting chart on page 28.

Door operator starts for no reason.

- Check wires to ensure they are not cut. Staples can cut insulation and short wires. If wire is cut, replace it.
- Was a remote control lost or stolen? Erase all remote control codes from receiver memory and reprogram. Page 27, step 4.
- Button stuck on wall control or remote.

Door starts down, then stops before it's closed.

- Check CLOSE limit switch setting. Page 21.
- Wires shorted.
- Check door for binding.

Door starts down, then stops and goes back up.

- If new, check door arm position.
- Check CONTACT REVERSE.
- Check STB System for beam obstruction or misalignment of lenses.
- Check STB diagnostic code.
- Check "CLOSE FORCE" adjustment. Page 22.
- Check door for binding.

Door will only run closed.

- Check OPEN limit switch for short and proper wiring.
- Check "OPEN FORCE" adjustment. Page 22.
- Check door condition and door spring.

Door will only run open.

- Check STB System (see STB troubleshooting chart on page 28.)
- Check CLOSE limit switch for short and proper wiring.
- Check "CLOSE FORCE" adjustment. Page 22.

Lights will not go out.

- Disconnect and reconnect wires on wall control. Page 19.
- Check wiring. Incompatible wall control. Disconnect and use remotes for operation.

Door starts up, but stops before it's completely open.

- Be sure door and operator are in good repair, properly lubricated and balanced (See Maintenance Section).
- Check "OPEN" limit sw. set. Page 21.
- Check "OPEN FORCE" set. Page 22.
- Check door condition and for broken Door spring.

Operator runs, but door does not move.

- Make sure carriage is engaged to carriage slide.
 - Check carriage lever engaged. Pg. 10.
- Check force adjustment. Page 22. Door operator will **NOT** run more than 30 seconds each way if door does not move.
- Check condition and placement of coupler. Page 8.
- Check screw is turning.

Remote Control has less than 25 feet operating range.

- Relocate remote control inside car.
- Point remote control at garage door.
- Replace battery.
- Reposition door operator antenna.
- **DO NOT** attempt to retune remote controls.

Operator works from Wall Control, but not from Remote Control.

- Program remote control code into receiver memory. Page 23-26.
- Replace remote control Battery. Pg. 23.
- Check STB's.

Noisy operation.

- Be sure all fasteners are tightened.
- Be sure door and operator are in good repair, properly lubricated and balanced (see Monthly Maintenance Section).

Safe-T-Beam® System.

- If an operational problem exists, the operator will not run closed. The operator can be forced to close this way –
 - Disconnect the STB System from the operator.
 - Hold the wall control button down until the door is completely closed. Use self-diagnostic STB System troubleshooting information to maintain safe operation. Page 28.

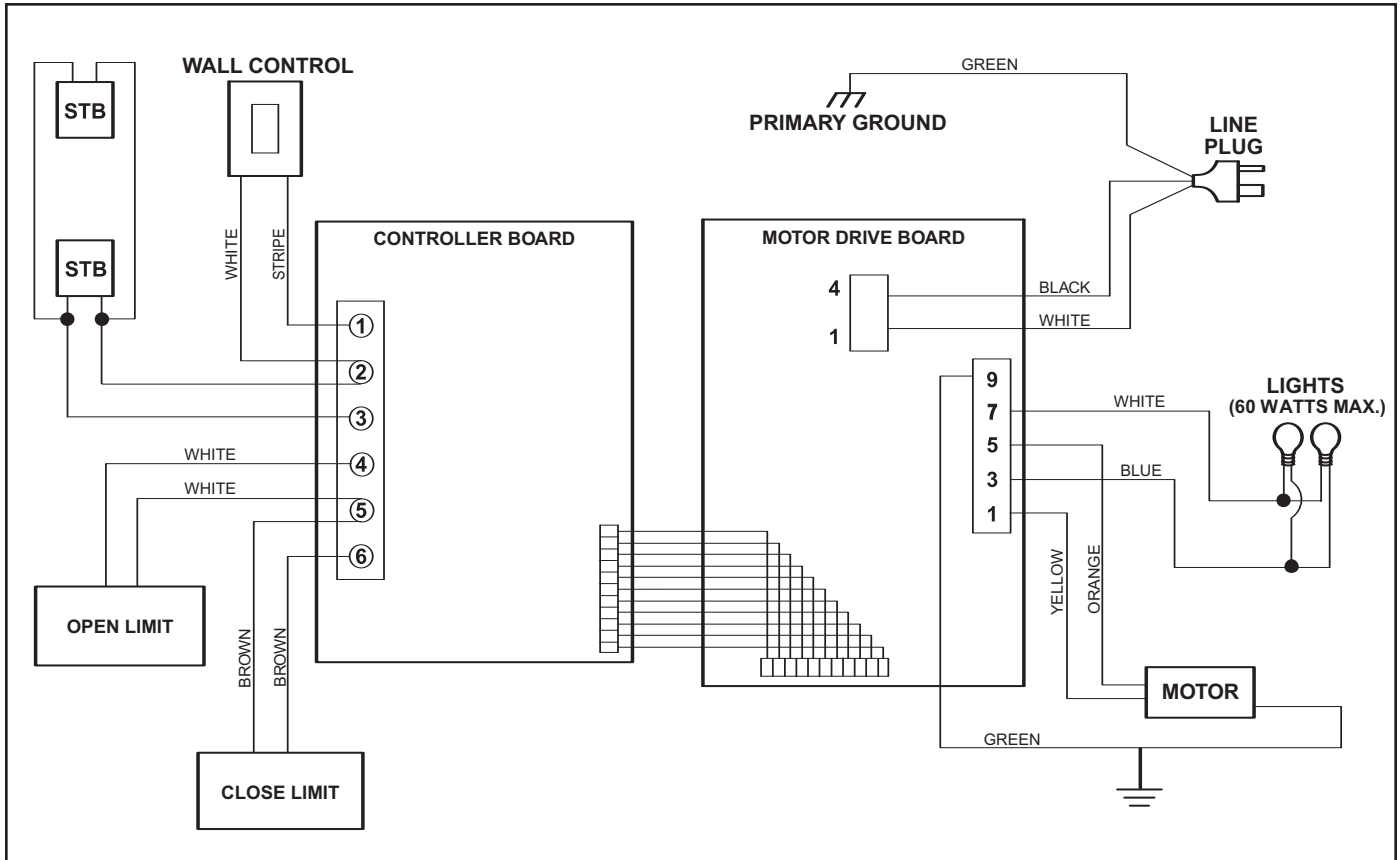
Vacation Lock doesn't work.

- Carriage must be in contact with "CLOSE" limit switch for vacation lock to work.

CAUTION

Opening cover could cause electrical shock

30



LIMITED WARRANTY

Overhead Door Corporation ("ODC") warrants to the original purchaser of the garage door opener as follows:

Model 990 - Motor Lifetime* and all other parts 5 years.

*Lifetime warranty - warranted for as long as you own your home.

ODC's obligation under this warranty is specifically limited to repairing or replacing at its option, any parts which shall be determined by ODC to be defective during the applicable warranty period. This warranty applies only to the original purchaser and is not transferable.

Repair or replacement labor is included for a period of one year from the date of installation. After one year, all labor charges will be the responsibility of the owner. This warranty applies only to the original purchaser and is not transferable.

This warranty does not apply to any opener installed in a commercial, industrial, or other non-residential application. This warranty does not apply to any opener which has been altered or repaired by any person not expressly authorized by ODC in writing to do so. This warranty does not apply to any opener or part which has been damaged or deteriorated due to misuse, accident, or failure to provide necessary maintenance. chase and identification as the original purchaser may be required.)

THERE IS NO WARRANTY OF MERCHANTABILITY, WARRANTY OF FITNESS FOR ANY PARTICULAR PURPOSE OR ANY OTHER IMPLIED WARRANTY BEYOND ONE YEAR FROM THE DATE OF INSTALLATION. ODC SHALL NOT BE LIABLE FOR INCIDENTAL OR CONSEQUENTIAL DAMAGES NOR FOR ANY FURTHER LOSS WHICH MAY ARISE IN CONNECTION WITH ANY CLAIM.

This warranty gives you specific legal rights, and you may also have other rights which vary from state to state. Some states do not allow limitations on how long an implied warranty lasts and some states do not allow the exclusion or limitation of incidental or consequential damages, so the above limitations or exclusions may not apply to you.

ODC has not established any informal dispute settlement procedure of the type described in the Magnuson-Moss Warranty Act. Claims under this warranty must be made in writing to ODC or one of its authorized distributors within the applicable warranty period. Either the original seller may be contacted or the nearest Overhead Door Distributor may be contacted by calling 1-800-929-DOOR. (Proof of purchase and identification as the original purchaser may be required.)

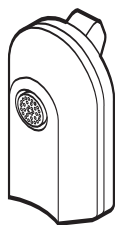
The Genuine. The Original.



Garage Door Operator Accessories
Accesorios para abridores de puertas de garaje
Accessoires pour ouvre-porte de garage

A

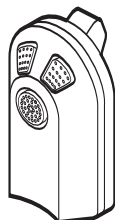
1-Button Remote Control with CodeDodger
Controlador remoto de lujo con CodeDodger
Télécommande de luxe avec CodeDodger



2-Button Remote Control with CodeDodger
Controlador remoto de 2 funciones con CodeDodger
Télécommande à 2 fonctions avec CodeDodger



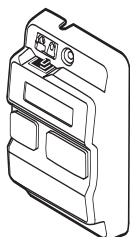
3-Button Remote Control with CodeDodger
Controlador remoto de 3 funciones con CodeDodger
Télécommande à 3 fonctions avec CodeDodger



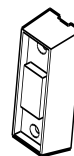
2-Button Mini Remote Control with CodeDodger
Minicontrolador remoto de 2 funciones con CodeDodger
Mini télécommande à 2 fonctions avec CodeDodger



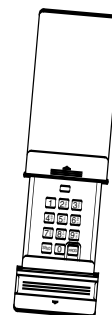
3-Function Wall Console with CodeDodger
Consola de pared de 3 funciones con CodeDodger
Console murale à trois fonctions avec CodeDodger



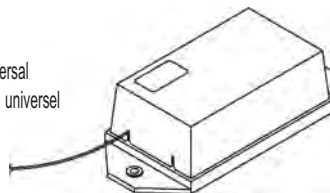
Universal Wall Button
Botón de pared universal
Bouton mural universel



Wireless Keypad Entry System
Sistema de entrada por teclado numérico inalámbrico
Système d'ouvre-porte de garage à clavier sans fil



Universal Conversion Kit
Juego de conversión universal
Nécessaire de conversion universel



OverHead Door Corp
22790 Lake Park Blvd.
Alliance, Ohio 44601

Call: 1.800.929.3667
Web: www.overheaddoor.com