

The Genuine. The Original.



Legacy[®] 800

Chain and Belt Openers

- CodeDodger[®] remote control for the ultimate in safety!
- Safe-T-Beam[®] system must be installed to close door
- Homelink[®] and Car2U[®] compatible
- 2-bulb light system
- Wall console
- For use only with sectional doors
- Easy programming

For answers and assistance

1.800.929.3667

or visit

www.OverheadDoor.com



Installer: Leave this manual with homeowner.

Legacy[®] 800 Model 2026

GARAGE DOOR OPENERS

Save this manual for future reference.

SAFETY INFORMATION

OVERVIEW OF POTENTIAL HAZARDS READ THIS SAFETY INFORMATION

CONVENTIONS USED IN THESE INSTRUCTIONS

Overhead doors are large, heavy objects that move with the help of springs under high tension and electric motors. Since moving objects, springs under tension, and electric motors can cause injuries, your safety and the safety of others depend on you reading the information in this manual. If you have questions or do not understand the information presented, call your nearest trained door system technician.

The following safety alert symbol and signal words are used throughout this manual to call attention to and identify different levels of hazard and special instructions.



This is the safety alert symbol. This symbol alerts you to potential hazards that can kill or hurt you and others. All safety messages will follow the safety alert symbol and the word "**DANGER**", "**WARNING**", or "**CAUTION**"

DANGER indicates an imminently hazardous situation which, if NOT avoided, will result in death or serious injury.

WARNING indicates a potentially hazardous situation which, if NOT avoided, could result in death or serious injury.

CAUTION indicates a potentially hazardous situation which, if NOT avoided, may result in injury or property damage.

The word **NOTE** is used to indicate important steps to be followed or important considerations.

IMPORTANT SAFETY INSTRUCTIONS READ AND FOLLOW ALL INSTRUCTIONS SAVE THESE INSTRUCTIONS

Potential Hazard	Effect	Prevention
	<p>WARNING</p> <p>Could result in Death or Serious Injury</p>	<p>Keep people clear of opening while Door is moving.</p> <p>Do NOT allow children to play with the Door Operator.</p> <p>Do NOT operate a Door that jams or one that has a broken spring.</p>
	<p>WARNING</p> <p>Could result in Death or Serious Injury</p>	<p>Turn OFF power before removing operator cover.</p> <p>When replacing cover, make sure wires are NOT pinched or near moving parts.</p> <p>Operator must be fully grounded.</p>
	<p>WARNING</p> <p>Could result in Death or Serious Injury</p>	<p>Do NOT try to remove, install, repair or adjust springs or anything to which door spring parts are fastened, such as, wood blocks, steel brackets, cables or other like items.</p> <p>Installations, repairs and adjustments must be done by a trained door system technician using proper tools and instructions.</p>

OPENER FEATURES

CODEDODGER® Access Security System

An electronic access code system that enhances the security of the door opener by continuously changing the access code each time the remote control is used. The door opener responds to each new code only once. An access code copied from a working system and tried again will not control the door opener.

Lighted Wall Button*

Operates door opener from inside garage. (Refer to section 3)



and Car2U® compatible.

Follow the Homelink® or Car2U® instructions in your car owner's manual.

SAFETY FEATURES

Safe-T-Beam® Non-Contact Reversing System**

Puts an invisible beam across the door opening. The door stops and reverses to the full open position if anything passes through the beam. Red or green LED indicator lights on the power head provide a self diagnostic code if an operational problem exists. (Refer to Section 10)

Safe-T-Reverse® Contact Reversing System

Automatically stops and reverses a closing door within 2 seconds of contact with an object. (Refer to Section 6)

Safe-T-Stop® Timed Reversed System

Automatically opens a closing door if it fails to close completely within 30 seconds.

Watch Dog™ Monitoring System

Monitors the Safe-T-Beam®** system to ensure proper functionality and will automatically stop and reverse a closing door if a problem is detected.

Automatic Lighting System

Two bulb lighting supplies up to 120 watts of light for safer evening exits and entries. Turns **ON** when door is activated and automatically turns **OFF** 3 minutes later.

Manual Emergency Release

Manually releases door from door opener. Use during a power failure or other emergency to allow manual opening and closing of door. (Refer to Section 6)

TABLE OF CONTENTS

SECTION	PAGE
SAFETY INFORMATION	2
OPENER FEATURES	3
SAFETY FEATURES	3
PRE-INSTALLATION CHECK LIST	4-5
RECOMMENDED TOOLS	6
PARTS IDENTIFICATION	6-7
KEY ILLUSTRATIONS	8
SAFETY INSTALLATION INFORMATION	9
INSTALLATION	
1 OPENER ASSEMBLY	9-10
2 INSTALLATION	11-13
3 WALL CONTROL INSTALLATION	14-15
4 SAFE-T-BEAM® SYSTEM INSTALLATION	16-17
5 CONNECTING TO POWER	18
ADJUSTMENTS	
6 LIMIT SWITCHES & FORCE ADJUSTMENT	19-20
CONTACT REVERSE TEST	20
7 PROGRAMMING REMOTE CONTROLS	21
8 BATTERY/VISOR CLIP INSTALLATION	22
9 LIGHT BULB AND LENS INSTALLATION	22
SAFETY INSTRUCTIONS	23
MAINTENANCE & TROUBLESHOOTING	
10 ROUTINE MONTHLY MAINTENANCE	23
WIRING DIAGRAM	24
TROUBLESHOOTING GUIDE - OPENER	25
TROUBLESHOOTING GUIDE - POWER HEAD LED	26
TRANSMITTER COMPLIANCE STATEMENT	27
WARRANTY	28

*OPENER MUST BE INSTALLED WITH THE INCLUDED WALL CONTROL.

**SAFE-T-BEAM® SAFETY REVERSE SYSTEM MUST BE INSTALLED TO CLOSE DOOR.

Things to consider if you are planning to "Do-it-yourself."

This opener is designed for use with SECTIONAL doors only.

In many cases you will be replacing an existing door opener with a new one, however, if this will be the first opener installed there are some pre-installation issues which need to be addressed. They are as follows:

The Overhead Door Corporation recommends that you read and fully understand all information and instructions contained herein before choosing a "Do-it-yourself" installation. Any questions should be directed to Overhead Door Corporation or an authorized Overhead Door Dealer.

(The issue numbers below refer to the circled numbers in the illustrations on page 5.)

1 Check your ceiling where the power head of your new unit will be mounted. Plan how you will be mounting the power head. It is possible that ceiling joists may not be in the position needed with respect to the garage door opener. It may be necessary to add an additional bracket and fasteners (not included with your new door opener kit). (Refer to Section 2)

2 Check the wall directly above the garage door. The door opener's header bracket must be securely fastened to this wall. Insure that the structure will provide a strong mounting location. (Refer to Section 2)

3 Check to see if the mounting location for the Safe-T-Beam® System is clear from obstruction and has a wood surface available for attaching the mounting brackets. The brackets may be attached to concrete if necessary but extra tools and special fasteners (not supplied) will be required. (Refer to Section 4 and 5)

NOTE: Mounting brackets must be installed within code specifications.

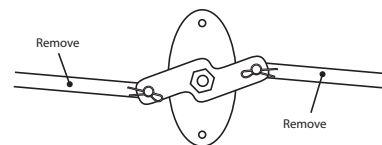
4 Is your sectional garage door made of aluminum, light-weight steel, fiberglass or glass panels? Additional support bracing must be added to these type doors. If this is the case, please contact the door manufacturer or authorized dealer so that they can furnish you with a "bracing kit." (Refer to Section 2)

5 You need a properly grounded 110-120 Volt power supply available. The outlet should be no more than 3 feet from the power head once it is mounted. (Refer to Section 5)

! WARNING

**DO NOT USE AN EXTENSION CORD!
DO NOT USE A PORTABLE GENERATOR! This product is designed to operate on standard house current.
DO NOT USE ALTERNATE POWER SUPPLIES.**

6 To avoid damage to your door and/or opener, make sure you disable and/or remove any door locks, ropes, and/or cables (NOT door lift cables) prior to installing your opener. (Refer to Section 1)



7 Insure that your door is properly balanced and moving freely. (Refer to Section 10)

! WARNING

If your door jams, binds, is improperly balanced or has a broken spring, have it repaired or adjusted by a trained door system technician. Door springs, cables, pulleys, brackets and associated hardware are under extreme tension and can cause serious injury or death.

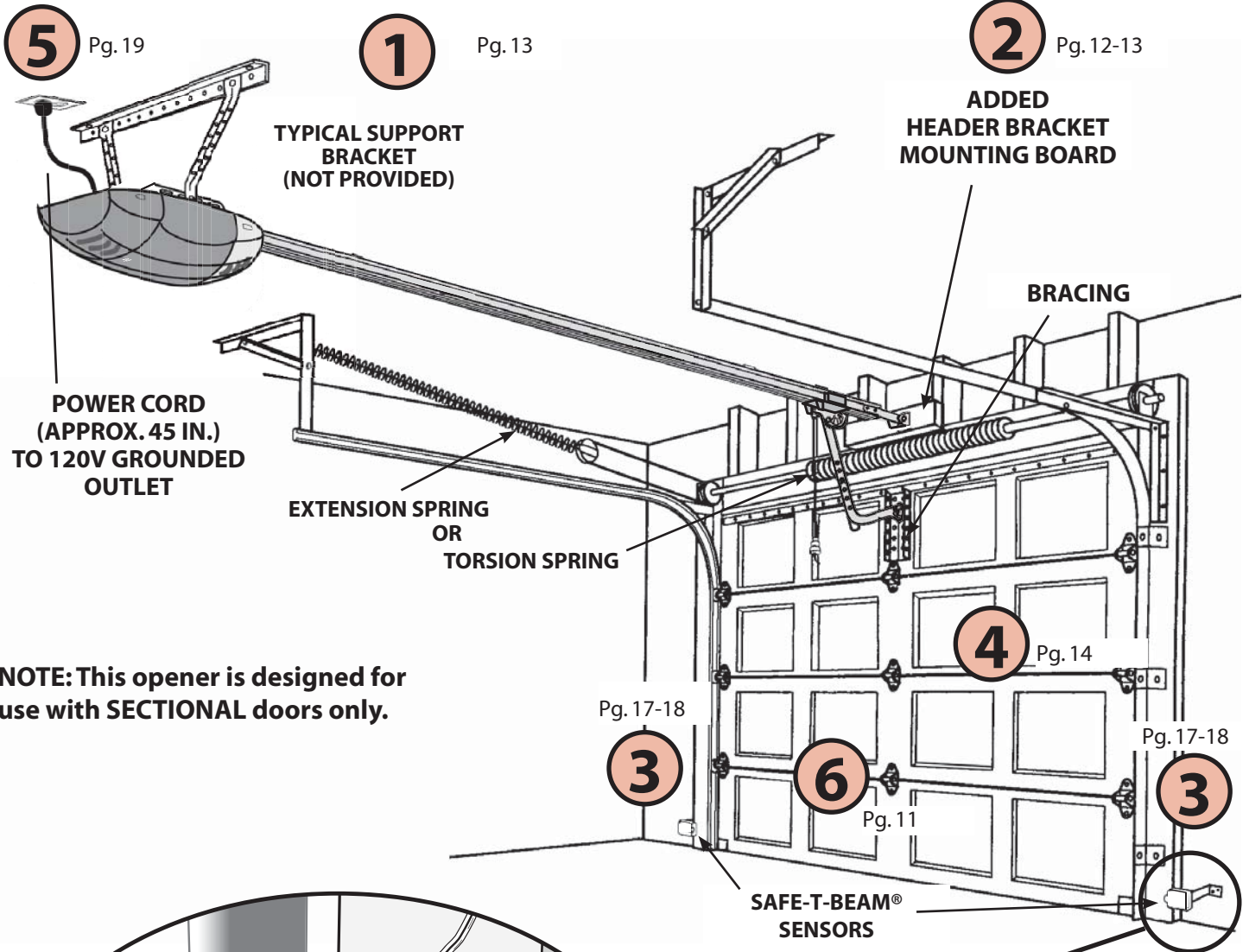
8 (NOT SHOWN) If your garage does not have a separate entry door, you should consider an emergency release kit (GER-2) for installation on your garage door.

! WARNING

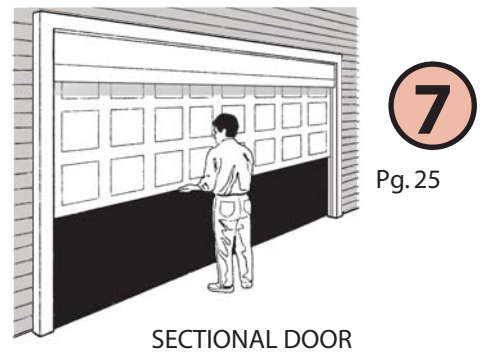
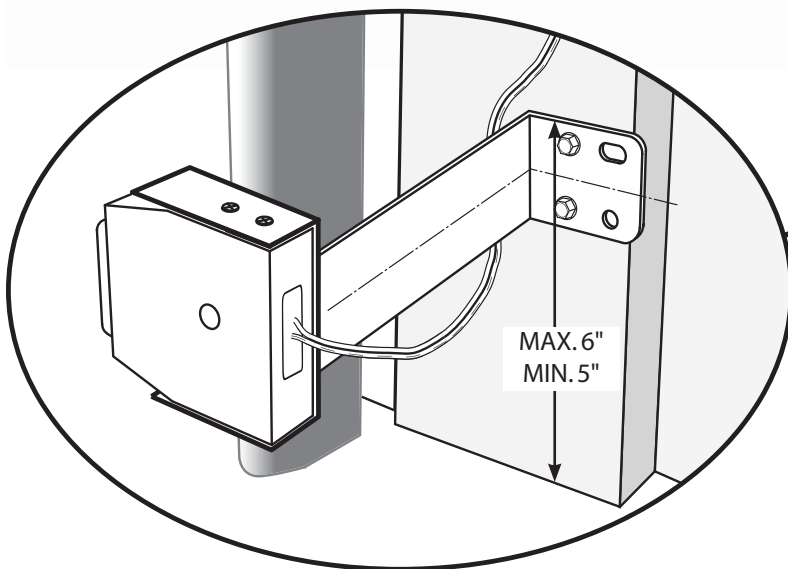
TO REDUCE THE RISK OF INJURY TO PERSONS OR DAMAGE TO PROPERTY - USE THIS OPENER ONLY WITH SECTIONAL DOORS.

TYPICAL SECTIONAL DOOR INSTALLATION

FOR HELP-1.800.929.3667 OR WWW.OVERHEADDOOR.COM



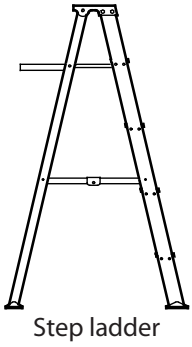
NOTE: This opener is designed for use with SECTIONAL doors only.



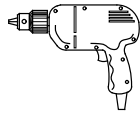
WARNING
 To reduce the risk of injury to persons or damage to property - Use this opener only with sectional doors.

RECOMMENDED TOOLS

FOR HELP-1.800.929.3667 OR WWW.OVERHEADDOOR.COM



Step ladder



Drill

3/16" Drill Bit



Ratchet



Pencil



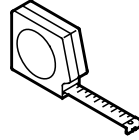
Carpenter's level



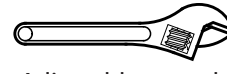
Safety Glasses



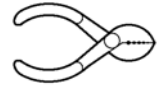
1/4", 7/16", 3/8" and 1/2" Sockets



Tape measure



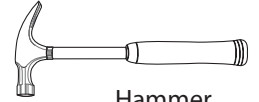
Adjustable wrench



Wire strippers



Phillips screwdriver



Hammer

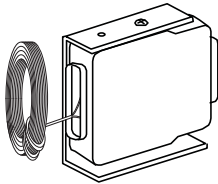
PARTS IDENTIFICATION - Not Shown Full Size



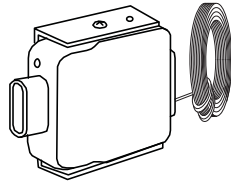
Safety Brochures



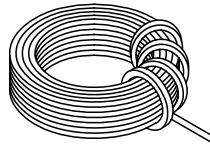
Entrapment Warning Label



Safe-T-Beam® Source with wire (Red LED)



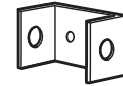
Safe-T-Beam® Sensor with wire (Green LED)



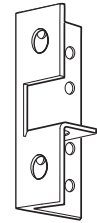
Wire



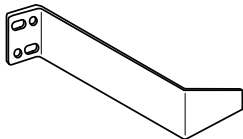
Insulated Staple



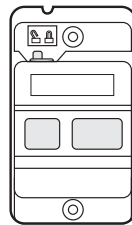
Header Bracket



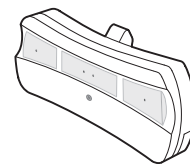
Door Bracket



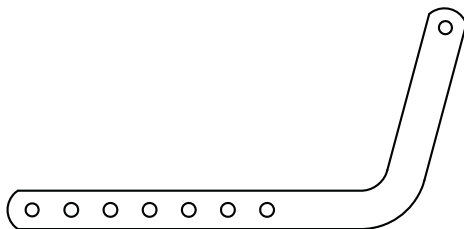
Safe-T-Beam® Source/Sensor Bracket



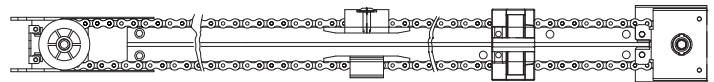
Wall Control,



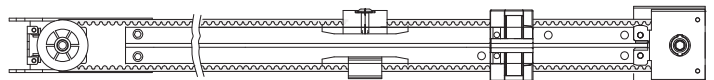
Three-button Remote Control



Door Arm



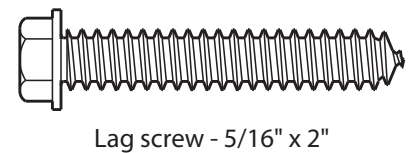
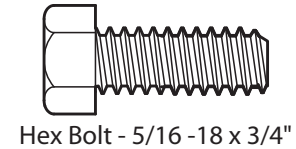
Pro Rail (Chain) Section



Pro Rail (Belt) Section

FASTENERS - Shown Full size (See Parts List below for full description.)

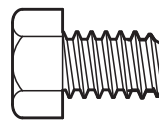
BAG NO.	DESCRIPTION	QUANTITY
1	BOLT - 5/16-18 x 1/2"	3
2	CLEVIS PIN, LONG - 5/16" x 3"	1
	COTTER PIN	1
	HEADER BRACKET	1
	LAG SCREW - 5/16" x 2"	2
3	HEX BOLT - 5/16-18 x 3/4"	5
	HEX FLANGE NUT - 5/16-18	5
	LAG SCREW - 5/16" x 2"	2
4	SELF DRILLING SCREW - 1/4"-20 x 3/4"	3
	DOOR BRACKET	1
5	HEX BOLT - 5/16-18 x 3/4"	3
	SELF LOCKING NUT - 5/16-18	1
	HEX FLANGE NUT - 5/16-18	2
	CLEVIS PIN - 5/16" x 3/4"	1
	COTTER PIN	1
6	WALL CONTROL BUTTON ASSEMBLY	1
	PAN HEAD PHILLIPS SCREW - #4-24 x 1"	2
7	13 MM INSULATED STAPLE	30
8	Safe-T-Beam® SOURCE/SENSOR BRACKET	2
	PHILLIPS HEX SCREW - #10-16 x 1- 1/4"	4
	WIRE NUT (GREY)	4
NO NUMBER	REMOTE WITH BATTERY	1
NO BAG	Safe-T-Beam® SOURCE/SENSOR & WIRE SET	1
NO NUMBER	LIGHT COVER - WHITE	2



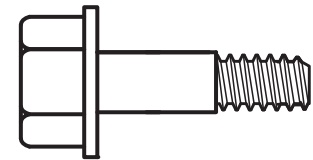
Self Locking Nut
- 5/16 -18



Hex Flange Nut
- 1/4"-20



Hex Bolt - 5/16 -18 x 1/2"



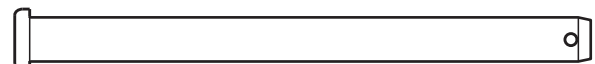
Shoulder Bolt
- 5/16 -18 x 1"



Hex Flange Nut
- 5/16 -18



Wire Nut



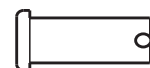
Clevis pin, long
5/16" x 3"

MISSING ANY PARTS? Please call toll free - 1.800.929.3667

DO NOT RETURN TO POINT OF PURCHASE.

IMPORTANT! - Information needed when calling

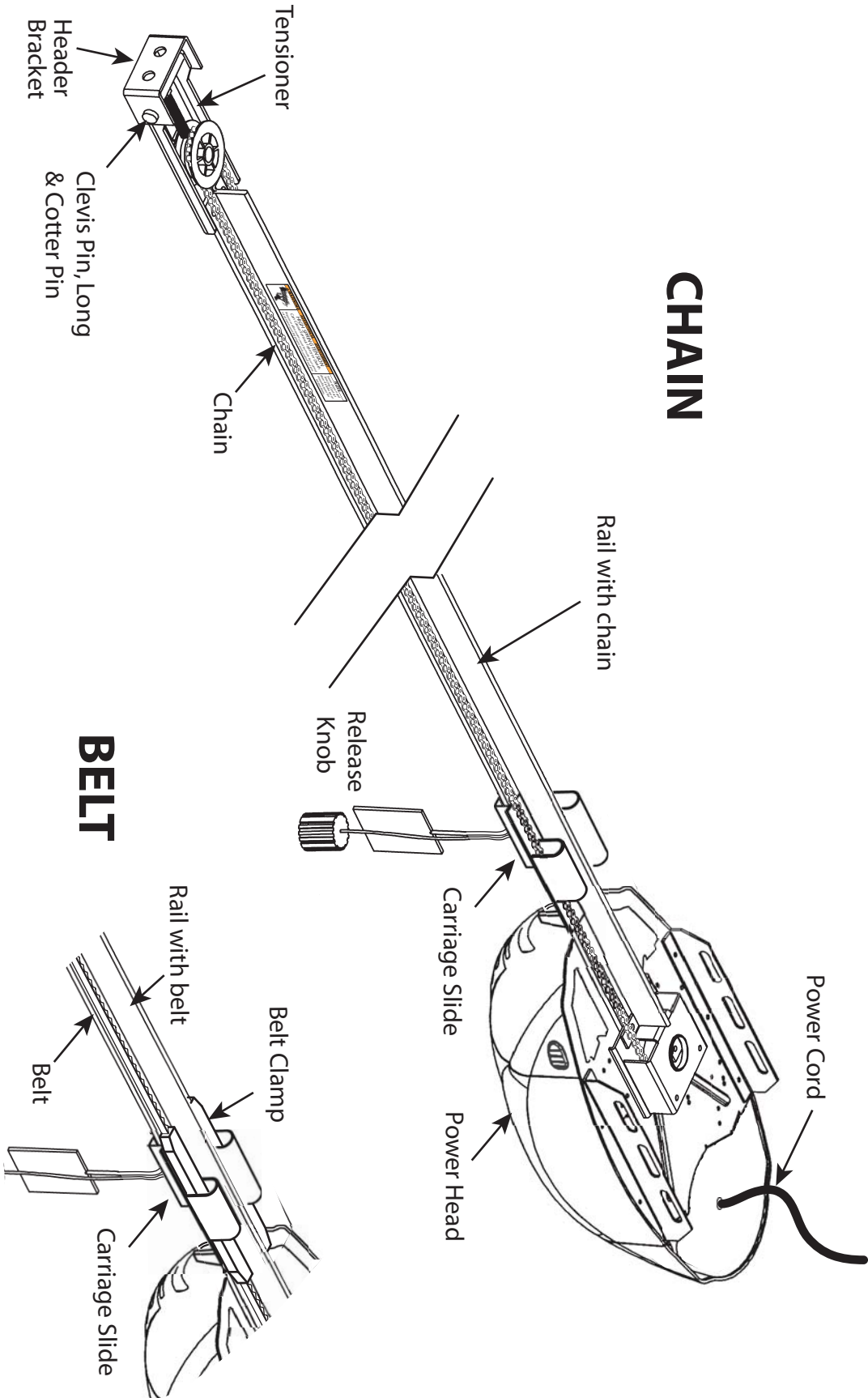
- Model number - (located on packaging)
- Store, city, state, and date of purchase



Clevis pin
5/16" x 3/4"



Cotter pin



IMPORTANT INSTALLATION INSTRUCTIONS

WARNING: To reduce the risk of severe injury or death:

1. **READ AND FOLLOW ALL SAFETY, INSTALLATION AND OPERATION INSTRUCTIONS.** (If you have questions or do not understand an instruction, call the Overhead Door Corporation or an authorized Overhead Door Dealer.)
2. Install only on a properly balanced **sectional** garage door. An improperly balanced door could cause severe injury. Have a trained door system technician make repairs or adjustments to cables, spring assemblies, and other hardware **before** installing the opener.
3. Remove all ropes and remove or make inoperative all locks connected to the garage door before installing opener.
4. Where possible, install the door opener **7 feet or more above** the floor. For products having an emergency release, mount the emergency release 6 feet above the floor.
5. **Do NOT** connect the opener to source of power until instructed to do so.
6. Locate the Wall Control:
 - Within sight of door,
 - At minimum height of 5 feet so small children are not able to reach it, and
 - Away from all moving parts of the door.
7. Install the **Entrapment WARNING Label** next to the Wall Control in a prominent location. Install the Emergency Release Tag on or next to the emergency release.
8. After installing the opener, **the door must reverse within 2 seconds** when it contacts a 1-1/2 inch high object (or a 2 x 4 board laid flat) on the floor.

NOTE: Please follow ALL instructions in their NUMBERED sequence. Use wall control and safety sensors provided with this unit. Do NOT substitute wall control or safety sensors.

1 OPENER ASSEMBLY

FOR HELP-1.800.929.3667 OR WWW.OVERHEADDOOR.COM

RAIL ASSEMBLY: Use a clean, flat surface.



WARNING

To reduce the risk of injury to persons or damage to property - Use this opener only with sectional doors.

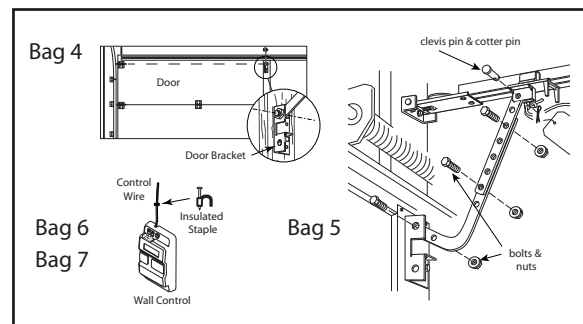


CAUTION

Do NOT run until opener is fully assembled and instructed to do so.

Clear a workspace area to unpack and organize box and contents for assembly.

1. There are 4, or more, boxes inside the carton. Each box is numbered 1 - 4. Note that some openers will contain the same parts and be packaged with fewer boxes. **Carefully remove the three internal boxes (Labeled #1, 2, and 3) and place them on the floor for easy access (Fig. 1-1).** These boxes contain assembly parts and the contents are organized by assembly tasks. For quick reference inside the lid of each box there is a label illustrating the components inside.
2. **Remove the motor power head and place it on the floor for later use. Remove box #4 and place it on the floor for later use.**



Box Label Example

FIG. 1-1 Internal boxes

POWER HEAD & CHAIN DRIVE RAIL ASSEMBLY

NOTE: Handle carefully! Drive chain can slide out of rail.

NOTE: For power head and rail assembly locate Bag 1 from Box 1.

NOTE: Copy serial number from power head frame and record it on warranty page.

1. Attach rail assembly to power head by aligning the sprocket onto the motor shaft. Use (3) bolts, 5/16"-18 x 1/2" (Fig. 1-2).
2. Tighten the chain by turning the adjustment nut clockwise. The chain adjustment nut is located in the Chain Pulley Bracket (opposite rail end from the power head) (Fig. 1-3).
3. Tighten chain until chain is approximately 1/8 inch above the base of the rail at midpoint on the rail (Fig. 1-3). Do not over tighten chain.

CAUTION

You should have removed all ropes and/or cables (NOT door lift cable) and disabled the door lock already. If you have not, remove all ropes and/or cables and disable garage door lock NOW before continuing with installation (Fig. 1-5).

Set assembled power head and rail aside. Begin with Section 2 INSTALLATION.

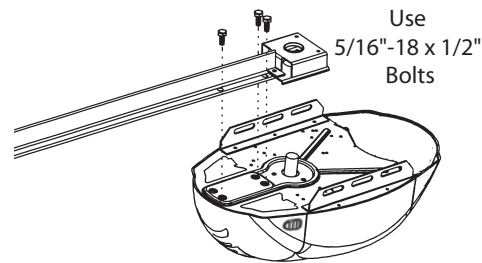


FIG. 1-2 Rail - Power head assembly.

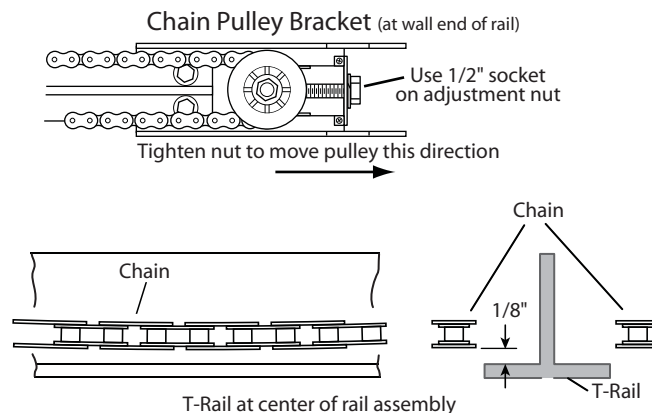


FIG. 1-3 Chain adjustment.

POWER HEAD & BELT DRIVE RAIL ASSEMBLY

NOTE: For power head and rail assembly locate Bag 1 from Box 1.

NOTE: Copy serial number from power head frame and record it on warranty page.

1. Attach rail assembly to power head by aligning the sprocket onto the motor shaft. Use (3) bolts, 5/16"-18 x 1/2" (Fig. 1-2).
2. Tighten the belt by turning the adjustment nut clockwise. The belt adjustment nut is located in the Belt Pulley Bracket (opposite rail end from the power head) (Fig. 1-4).
3. Tighten belt until belt is approximately 1/8 inch above the base of the rail at midpoint on the rail (Fig. 1-4). Do not over tighten belt.

CAUTION

You should have removed all ropes and/or cables (NOT door lift cable) and disabled the door lock already. If you have not, remove all ropes and/or cables and disable garage door lock NOW before continuing with installation (Fig. 1-5).

Set assembled power head and rail aside. Begin with Section 2 INSTALLATION.

Part Number 37027500123 02/26/2010 REV. 1

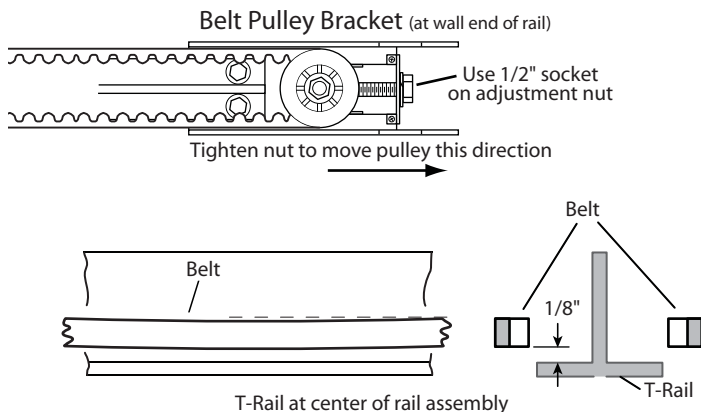


FIG. 1-4 Belt adjustment.

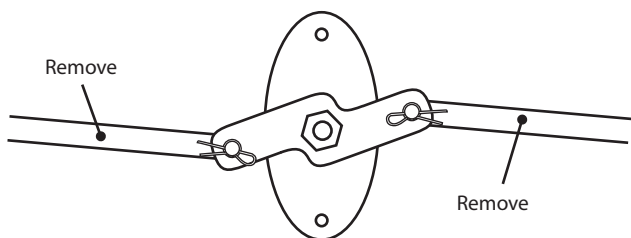


FIG. 1-5 Disable garage door lock.

2 INSTALLATION

FOR HELP-1.800.929.3667 OR WWW.OVERHEADDOOR.COM

HEADER AND DOOR MOUNTING BRACKETS:

WARNING

Header bracket must be fastened to garage framing. **Do NOT** fasten to drywall, particle board, plaster or other such materials.

1. Finding header bracket mounting location.

- Close garage door.
 - Use a pencil and level.
 - a) Mark center of garage door (*one-half overall width*) on the wall with 6" vertical line at top edge of door.
 - b) Continue this line on wall above door for about 12" (**Fig. 2-1, a**).
- Raise garage door until **top edge** of door reaches its maximum height (**Fig. 2-2**).
- With door at highest point.
 - Measure height from top edge of door to floor (**Fig. 2-2**).
- Close door again.
- Mark height measurement on wall above door (**Fig. 2-1, c**).
- Make your mark across vertical line made earlier.
- Add 2-1/2" to height mark just made on wall. This is location for header bracket (**Fig. 2-1, d**).

WARNING

Door springs are under high tension. If spring or its shaft is in the way, measure 2-1/2" above spring or shaft on the garage door centerline and mark this height as your location for header bracket.

Do NOT move door spring!

NOTE: If header bracket location needs to be above header for garage door opening, you need to add a "mounting surface." A 2" x 6" board securely attached (board and fasteners not included) to wall studs on either side of your mark is sufficient (**Fig. 2-3**).

NOTE: For header bracket and bolts locate Bag 2 from Box 1.

NOTE: The bolts supplied in Bag 2 are designed to be used on pressure treated lumber.

2. Mounting the header bracket.

- Hold header bracket against wall (**Fig. 2-3**).
- Position bracket as shown.
 - Place center on vertical line.
 - Bottom edge on final height line.
- Mark screw hole locations on wall.
- Drill 3/16" pilot holes at each screw hole mark.
- Fasten header bracket with 2 lag screws (provided) (**Fig. 2-3**).

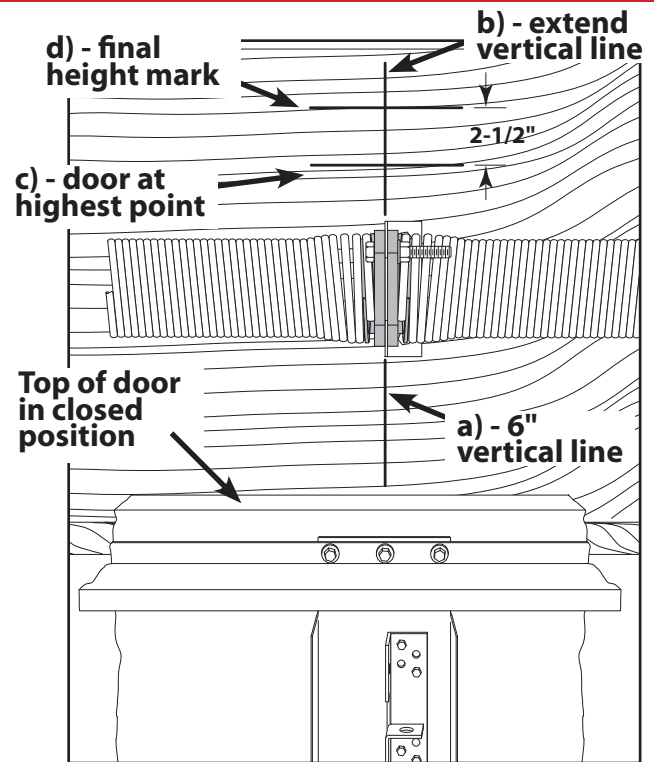


FIG. 2-1 Final height mark

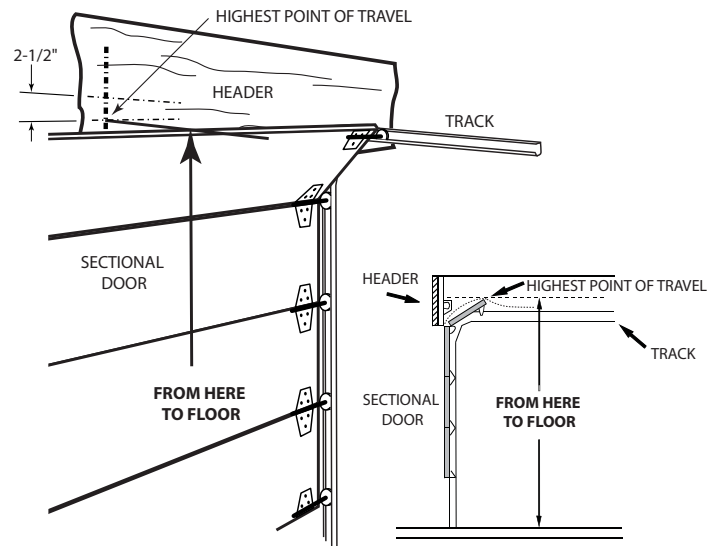


FIG. 2-2 Finding highest point of travel

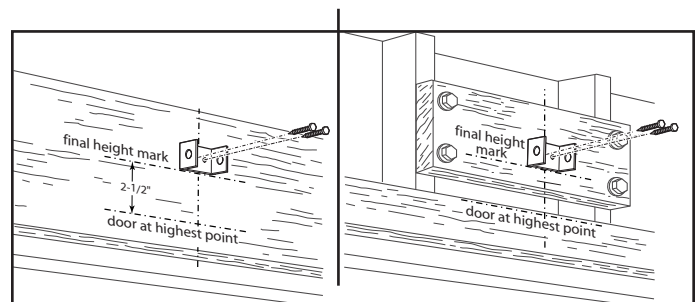


FIG. 2-3 Header bracket mounting (on header & above header)

MOUNTING THE OPENER

1. Getting started.

- Position assembled rail on wall next to header bracket (**Fig. 2-4**).
 - Place material on floor under power head to protect from scratching. (A box, stool, or similar device may be needed to clear a torsion spring.)

NOTE: For header bracket pins locate Bag 2 from Box 1.

2. Mounting the assembly.

- Attach rail to header bracket using clevis pin and cotter pin.
- Support power head on step-ladder to prevent interference with header mounted (torsion) spring (**Fig. 2-5**).

NOTE: Before final attachment to ceiling, insure that assembly is in proper alignment (**Fig. 2-4**).

NOTE: For nuts, bolts, and lag screws locate Bag 3 from Box 1.

- On finished ceilings, locate ceiling joists or trusses using a stud finder or similar device. Attach angle iron (not provided) to joists or trusses through finish material using (provided) lag screws (**Fig. 2-6**).
- On unfinished ceilings or open ceilings, straps may attach directly to joists or trusses. Depending on the garage construction, extra framing material (not provided) which may be required should be installed using appropriate construction techniques (**Fig. 2-6**).

NOTE: Refer to your local building codes for appropriate construction techniques.

- Attach mounting straps to ceiling using lag bolts (**Fig. 2-6**).
- Set height of power head to following: (**Fig. 2-6**).
 - Rail must clear door at door's highest point of travel.
 - Be level or power head slightly below level.
- Securely tighten power head mounting bolts and nuts.
- Carefully raise and lower door manually. Ensure door does not contact any section of power head or rail.
- Check that rail clamp bolts and nuts are tight.
- DO NOT PLUG OPENER IN YET!**

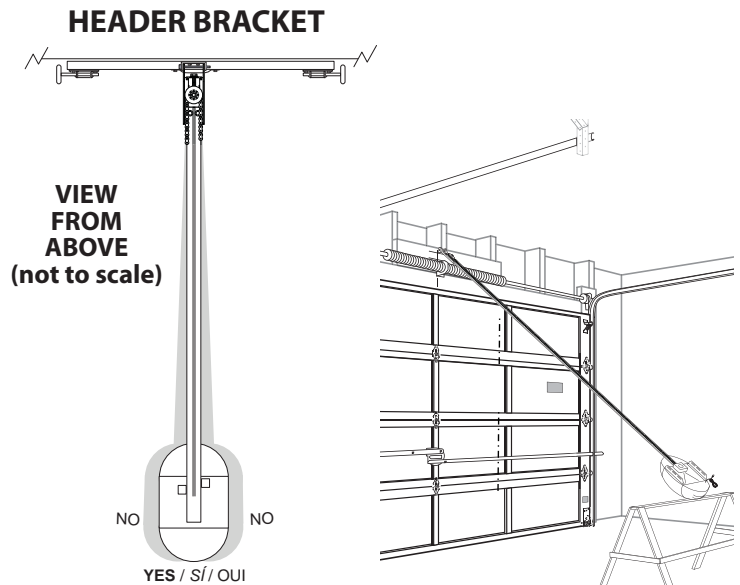


FIG. 2-4 Position assembly and align

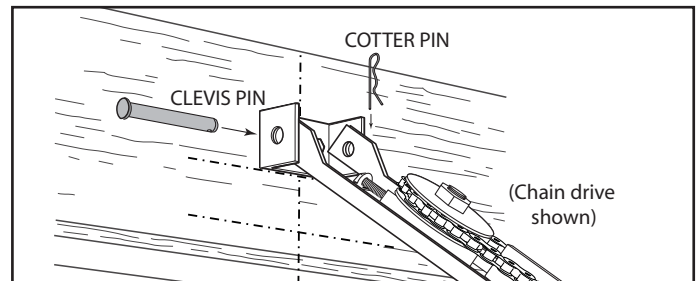


FIG. 2-5 Rail mounting to Header bracket

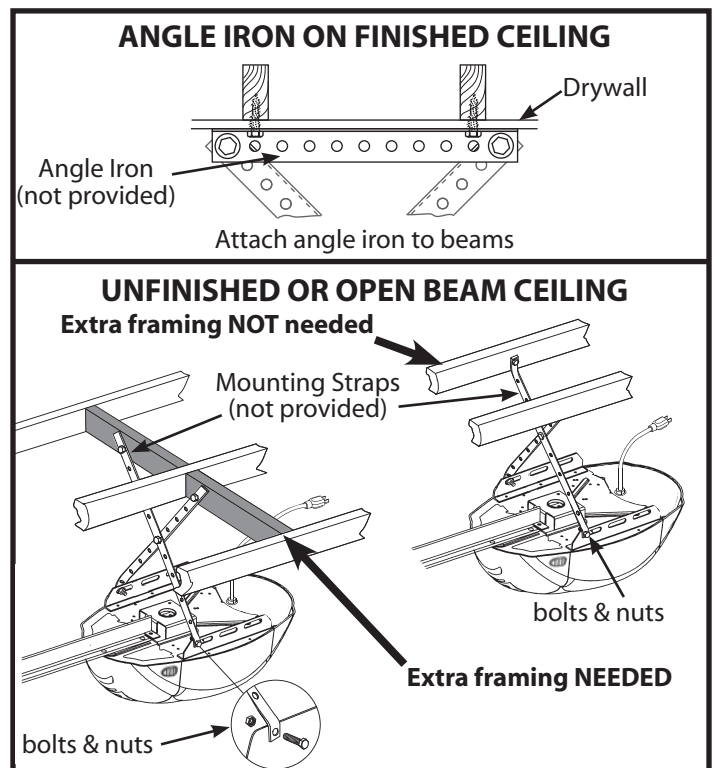


FIG. 2-6 Mounting the power head

DOOR BRACKET

CAUTION

Doors made of masonite, lightweight wood, fiberglass, and sheet metal must be properly braced before mounting door opener. Contact door manufacturer or distributor for a bracing kit.

The Overhead Door Corporation is not responsible for damage caused due to improperly braced door.

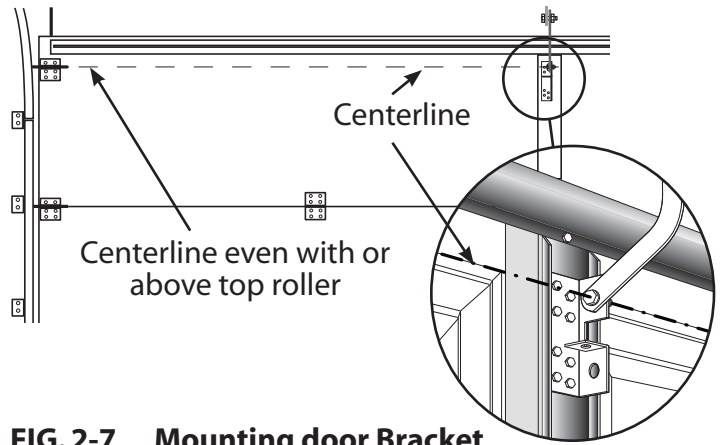


FIG. 2-7 Mounting door Bracket

NOTE: For door bracket and bolts locate Bag 4 from Box 2.

1. Finding door bracket mounting location.

- Door bracket is mounted as high on door as possible along vertical centerline and NO LOWER THAN top set of rollers (Fig. 2-7).

2. Mounting the door bracket.

- Proper bracing should be verified at this point.
 - Align door bracket centered on your vertical centerline (Fig. 2-8).
 - Attach using 3 self-drilling screws for sheet metal or other light weight material.
 - Use lag screws (not provided) for solid wooden sectional doors.

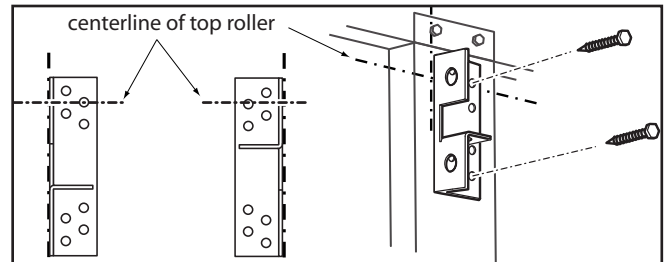


FIG. 2-8 Examples of door bracket positioning

NOTE: For solid wood doors, carriage bolts WITHOUT SLOTTED HEADS (not included) may also be used for attaching door bracket).

INSTALL DOOR ARMS

NOTE: For door arm nuts and bolts, clevis and cotter pins locate Bag 5 from Box 2.

1. Attach the arms.

- Fasten short branch of curved door arm to door bracket using bolt and locking nut (Fig. 2-9).
- Fasten straight arm to carriage using clevis pin and cotter pin (Fig. 2-9).

2. Connecting the arms.

- Slide carriage back and forth to adjust arm length.
 - Position the straight arm 50° down from the rail.
- With the arms arranged in this position, fasten arms together using bolts and nuts spaced as far apart as possible (Fig. 2-9)

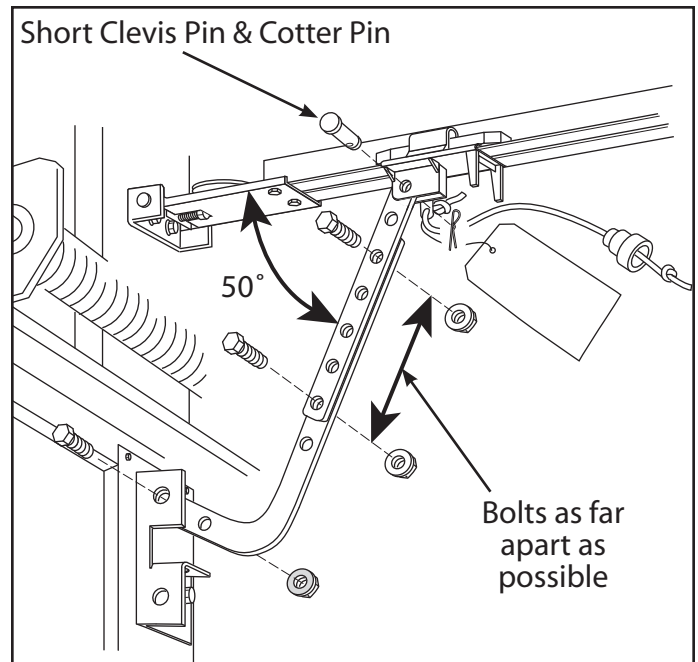


FIG. 2-9 Attaching door arms

3 WALL CONTROL INSTALLATION

FOR HELP-1.800.929.3667 OR WWW.OVERHEADDOOR.COM

WARNING

Verify there is **NO** power to the opener before installing wall control wires and wall control.

CAUTION

Staples which are too tight can cut or pinch wires. Cut or pinched wires can cause the wall control to stop working. When using the insulated staples, make sure you fasten them only as tightly as needed to hold the wire snugly.

WARNING

Use of any other wall control can cause the door to operate unexpectedly and the light not to work. Use only the included wall control.

NOTE: Wall control will not operate until limits are set.

NOTE: For Wall Control, wire and insulated staples locate Bags 6 and 7 from Box 2.

1. Wall Control location.

- Wall Control location should be in direct sight of door.
- It should be at least five feet (5') above floor to prevent small children from operating door.
- It must be away from any moving parts. (You should NOT be able to reach the garage door while standing at wall control.)
- Wall Control board screw connections are polarized, (+) positive and (-) negative.

2a. Wiring (If pre-wired).

- Locate wall control pre-wired wire ends (**Fig. 3-1**). (They should be located within the guidelines mentioned above.)
- Split and strip ends of wire (**Fig. 3-2**).
- Fasten wire to wall control board screws on back of wall control.
 - Striped wire to the + (plus) terminal.
 - White wire to the - (minus) terminal.

2a. Wiring (If NOT pre-wired).

- Pick a convenient location for mounting wall control using the guidelines mentioned above (**Fig. 3-1**).
- Run wire from wall control to power head (**Fig. 3-1**).
- Split and strip ends of wire (**Fig. 3-2**).
- Fasten wire to control board screws on back of wall control button.
 - Striped wire to the + (plus) terminal.
 - White wire to the - (minus) terminal.

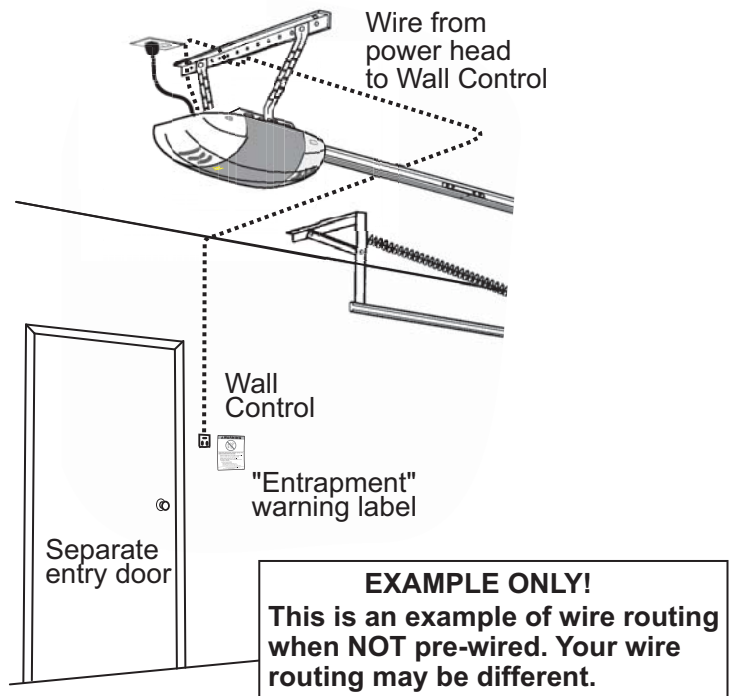


FIG. 3-1 Wall control wire routing

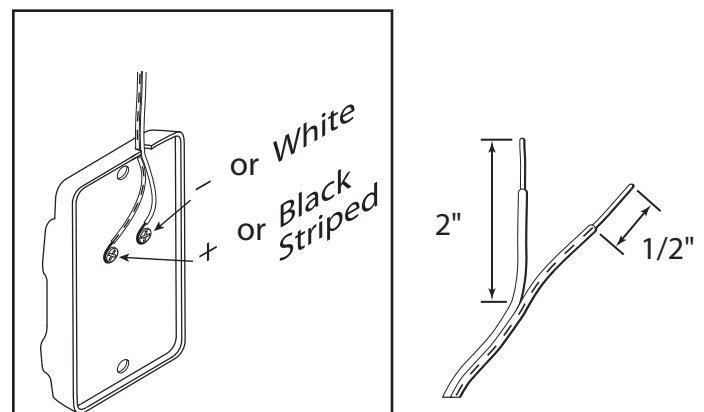
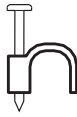


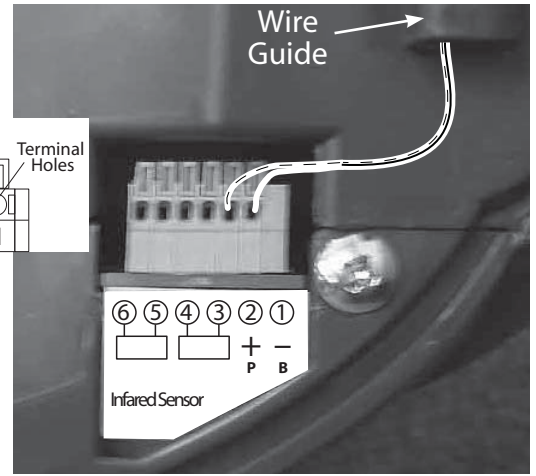
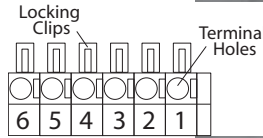
FIG. 3-2 Splitting and stripping

3. Securely fasten wires.

- Securely fasten wires to ceiling and wall using insulated staples provided.
 - Use insulated staples.
 - Staples should be snug only.
- If rear cover is attached to power head, remove it.
- On power head.
 - Route wall control wires through wire guide.
 - Split and strip ends of wire (**Fig. 3-2 on previous page**).
 - Insert wire into terminal holes and lightly press in the orange locking clips above each terminal hole. (You can use a pencil or small screwdriver to comfortably press in locking clips.) The white wire into #1 terminal hole and striped wire into the #2 terminal hole.
 - Confirm wire lock by lightly tugging on the wire. The wire should remain in the terminal hole.
- Do NOT install rear cover yet!**



Insulated Staple



(Power Head With Rear Cover Removed)

FIG. 3-3 Insert wires

4. Mounting.

- Fasten wall control to wall with 2 screws (provided) (**Fig. 3-4**).
- Remove protective backing from "Entrapment" warning label (**Fig. 3-5**). The "Entrapment" label is located in the center of this manual.
 - Stick label on wall near wall control.

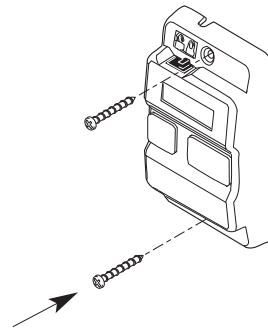


FIG. 3-4 Mounting wall control

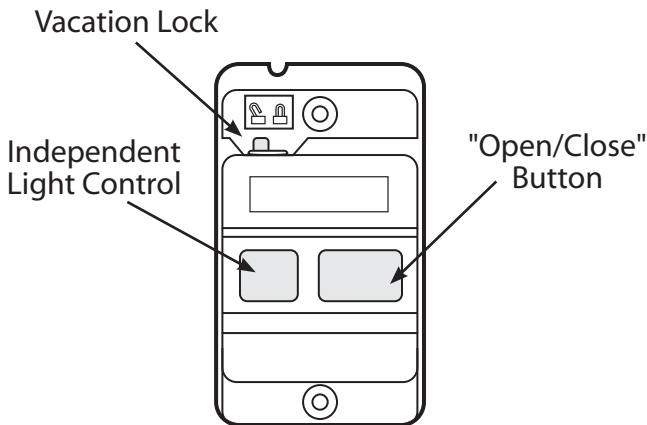


FIG. 3-6 Wall control



FIG. 3-5 Mounting Entrapment warning label

WARNING

There should be no electrical power to the opener while installing Safe-T-Beam® wires. If you have plugged in the power cord—**UNPLUG IT NOW!**

NOTE: The opener will not close the door automatically unless the Safe-T-Beam® System is installed.

NOTE: For Sensors, screws, wire, and insulated staples locate items and Bag 8 from Box 3.

1. Mounting brackets

- Mark both sides of garage door frame or wall no higher than 6" and no lower than 5" above floor (Fig. 4-1).
- Hold bracket against door frame or wall.
 - Check if brackets extend out from wall far enough, so tongue of bracket is beyond door, tracks or any door hardware.
 - If not:
 - a) Mounting bracket extensions are available through an authorized Overhead Door dealer.
 - b) Blocks of wood, etc. may be substituted for extensions.
- Locate top of bracket on your mark (Fig. 4-2).
- Fasten each with 2 screws (Fig. 4-2).

NOTE: Mounting brackets can be attached to the floor or concrete rim using concrete anchors (not provided).

2. Mounting Safe-T-Beam® Source (Red LED) and Sensor (Green LED)

- If garage has only one garage door.
 - Determine which side of garage receives most direct sunlight (Fig. 4-4).
 - Red LED should always be on sunny side whenever possible (Fig. 4-4).
- For multiple doors.
 - Preventing crossed signals is critical.
 - Place source and sensor modules on adjacent doors facing in opposite directions (Fig. 4-4).

NOTE: Mounting brackets can be attached to the floor or concrete rim using concrete anchors (not provided).

- Slide source/sensor onto tongue of bracket until it clicks into place (Fig. 4-3).

3. Wiring (If NOT pre-wired)

- Route wire from Safe-T-Beam® sensors to power head using method shown in (Fig. 4-5a).
- Securely fasten wires to wall and ceiling as you go (Fig. 4-6 on next page).
 - Use insulated staples.
 - Staples should be snug only.

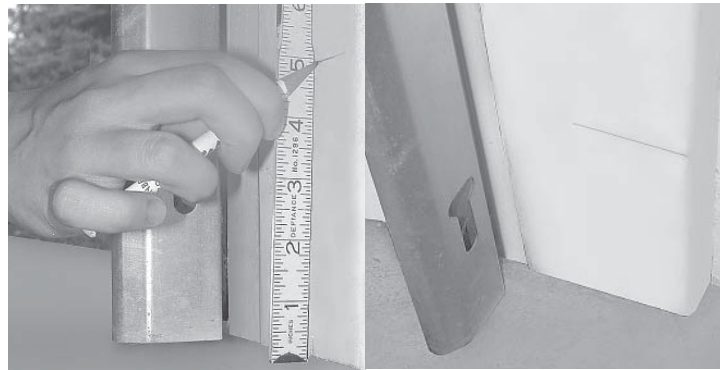


FIG. 4-1 Mark door frame.

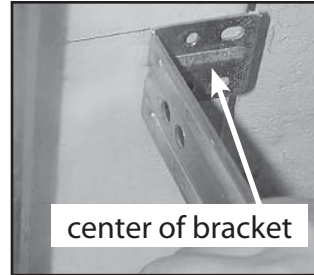


FIG. 4-2 Mounting brackets

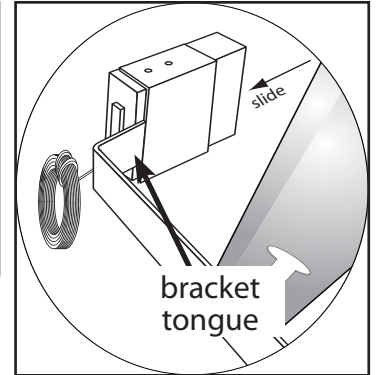


FIG. 4-3 Attach sensors to brackets

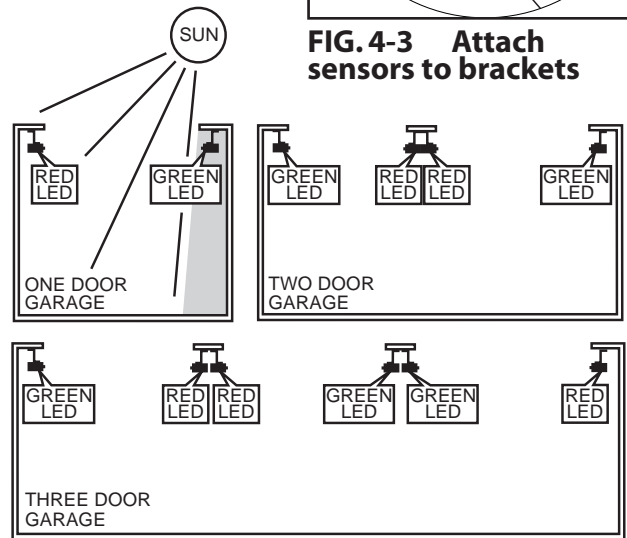


FIG. 4-4 Safe-T-Beam® source and sensor locations

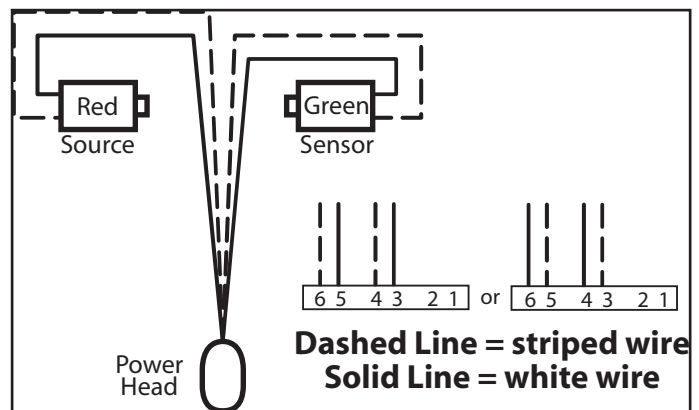


FIG. 4-5a Source and sensor wiring methods

3b. Wiring (If pre-wired)

- Route wire from wall to Safe-T-Beam® sensors (Fig. 4-5b).
- Splice pre-wiring to shortened sensor wire, match wire pairs *dash-to-dash* and *plain-to-plain*.
 - Trim sensor wire to approximately one foot (12 inches) from sensor.
 - Split and strip ends of sensor wires and pre-wired wires (Fig. 4-7).
 - Splice wires together with (provided) wire nuts.
- Route wire from ceiling to power head (Fig. 4-5b).
- Securely fasten wires where they exit wall and ceiling as you go.
 - Use insulated staples.
 - Staples should be snug only.

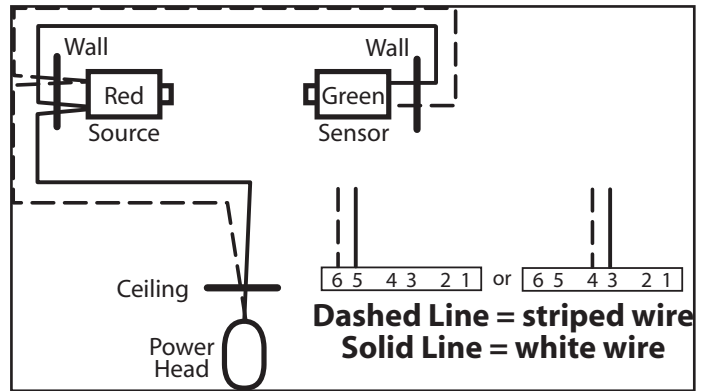
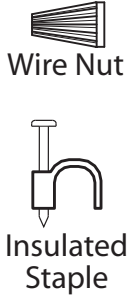


FIG. 4-5b Pre-Wired source and sensor wiring method

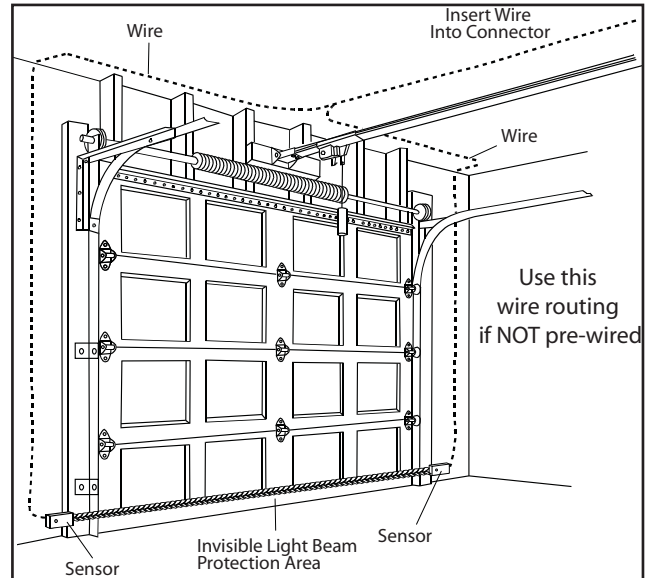


FIG. 4-6 Wire routing

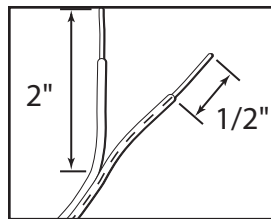


FIG. 4-7 Splitting and stripping

CAUTION

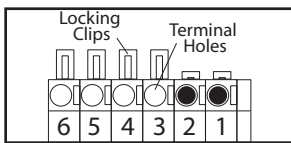
Staples which are too tight can cut or pinch wires. Cut or pinched wires can cause the Safe-T-Beam® System to stop working. When using the insulated staples, make sure you fasten them only as tightly as needed to hold the wire snugly.

4. Split and strip ends of sensor wires (Fig. 4-7).

NOTE: For rear cover locate Box 4.

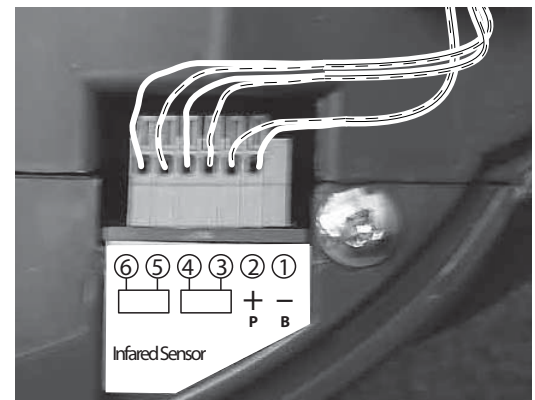
5. Attach Safe-T-Beam® wire to power head wire terminal.

- Route Safe-T-Beam® wires through wire guide.
 - Insert wire into terminal holes and lightly press in the orange locking clips above each terminal hole. (You can use a pencil or small screwdriver to comfortably reach in and lightly press down locking clips.) Insert white wires to 'even' numbered terminal holes and striped wires into 'odd' terminal holes (Fig. 4-8).



- Confirm wire lock by lightly tugging on the wire. The wire should remain in the terminal hole.
- Do not install the white (lamp) cover at this time.

NOTE: Safe-T-Beam® alignment check must be performed following connection to electrical power (see page 18). DO NOT PLUG IN YET!



(Power Head With Rear Cover Removed)

FIG. 4-8 Insert wires

5 CONNECTING TO POWER

FOR HELP-1.800.929.3667 OR WWW.OVERHEADDOOR.COM

⚠ WARNING

- To reduce the risk of electrical shock, this equipment has a grounded type plug that includes a third (*grounding*) pin. This plug will only fit a grounded type outlet. If you do not have a grounded outlet, contact a qualified licensed electrician to install one. DO NOT alter the plug in any way. The door opener must be properly grounded in order to prevent personal injury and damage to the components.
- DO NOT remove motor cover. All work performed on motor must be done by a trained door system technician.

⚠ CAUTION

- **Check local building codes** to make sure that you are not required to have your garage door opener permanently wired, with circuit breaker protection. If building codes require door opener to be permanently wired have a qualified licensed electrician connect power with permanent wiring.

WITH GROUNDED PLUG:

Plug the opener into a properly grounded electrical outlet (Fig. 5-1).

WITH PERMANENT WIRING:

Instructions for Electrician.

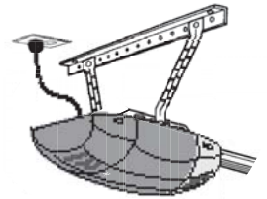
- Remove power from circuit.
- Remove rear cover and motor cover.
 - Remove four motor cover screws (Fig. 5-2).
- Remove existing power cord and strain relief from the 7/8" dia. hole and discard (Fig. 5-3).
- Connect permanent wiring to power head using 7/8" diameter hole.
 - **White to white/black to black/ground to green.**
 - Use only UL recognized wire nuts.
- Wires inside the power head must be at least 6" in length.
- Replace motor cover and rear cover and re-energize the circuit.

WITH POWER SUPPLIED:

Check Safe-T-Beam® alignment (Fig. 5-4).

- Insure that no part of door or its hardware is in path between lenses of source and sensor.
- Insure that tops of lenses are between 5" - 6" above the floor (Fig. 5-4). The brackets are flexible, and can be adjusted slightly if needed.
- Adjust the Red LED transmitter by aiming the unit directly at the Green LED receiver. Use the adjustment screw located on the top of the transmitter housing to make adjustments.
- The Red LED transmitter will blink if there is a misalignment. When the LED units are aligned the Red LED will remain ON continuously.
- After the alignment is finished tighten the adjustment screws on both sensors.

FIG. 5-1 Connect to power



Motor Cover Screws



FIG. 5-2 Remove motor cover (Electrician ONLY)

FIG. 5-3 Power cord strain relief



⚠ CAUTION

- Do **NOT** use an extension cord.
- Do **NOT** use a portable generator. This product is designed to operate using standard household current.
- Do **NOT** use alternate power supplies.

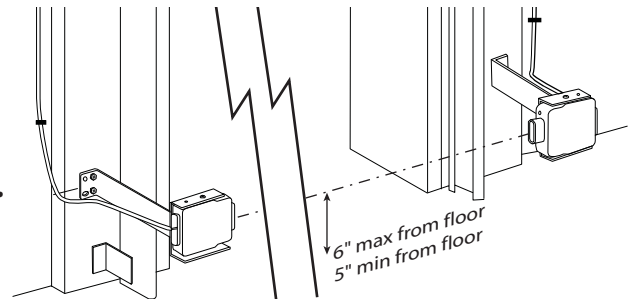


FIG. 5-4 Check Safe-T-Beam® alignment

INFRARED PROTECTION FUNCTION

1. When garage door is opening, its movement will not be influenced if the Safe-T-Beam® is obstructed.
2. If the Safe-T-Beam® is obstructed before the garage door fully closes, the door will not close.
3. When the garage door is closing, if Safe-T-Beam® is cut off by people or obstacle, the garage door will reverse automatically to its fully opened position. (Meanwhile, the opener light will keep blinking until door moves to its fully opened position.)
4. If the Safe-T-Beam® System fails, loses power, or is installed improperly, press and hold the Wall Control "open/close" button until the door reaches its fully closed position. The LED indicator light on the power head will be green and blink twice (Pattern: ☀☀ pause ☀☀ pause) to inform you to eliminate the problem first. If you release the "open/close" button on the Wall Control during the closing movement the door will reverse automatically to its fully opened position.

WARNING

- **Severe injury or death can result if the door closing force is set too high.**
- Never increase the door closing force above the minimum required to move the door.
- Never adjust force to compensate for a sticking or binding door.
- Perform monthly CONTACT REVERSE TEST as described on page 22 and in Section 10.

SETTING & TESTING OPEN/CLOSE LIMITS

The OPEN (UP) and CLOSE (DOWN) door positions are controlled by making the adjustments on the panel located on the bottom of the power head. The adjustments that can be made are:

- **Close Travel Limit,**
- **Open Travel Limit,**
- **Adjust Closing Force**
- **Adjust Opening Force**
- **Transmitter Programming**

A) ENGAGE CHAIN/BELT CONNECTOR TO CARRIAGE

1. Press and hold the "Close Travel Limit" button until the chain or belt connector advances and engages to the Carriage Assembly (FIG 6-2).

CAUTION

Failure to verify the engagement of the belt/chain connector will result in damage to rail components.

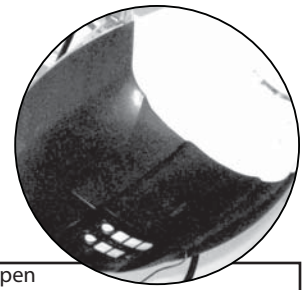
B) CLOSE TRAVEL LIMIT

1. Press and hold the "Close Travel Limit" button until the door is fully closed.
2. You can quickly press and release the "Close Travel Limit" button to move the door in small increments. You can also use the "Open Travel Limit" button to move the door slightly in the UP direction.
3. Door is fully closed when the bottom edge of door presses firmly onto the ground.
4. Once the door is in the desired position, press and release the "Close SET Limit" button for 5 seconds. The LED indicator light will blink green once. This stores the closed position in memory.

C) OPEN TRAVEL LIMIT

1. Press and hold the "Open Travel Limit" button to move the door to its fully opened position. This starts the opener moving in the UP direction.
2. Hold the "Open Travel Limit" button until the door is in the fully opened position that you desire, then release this button.
3. You can quickly press and release the "Open Travel Limit" button to move the door in small increments. You can also use the "Close Travel Limit" button to move the door slightly in the DOWN direction.
4. Once the door is in the desired position, press and release the "Open SET Limit" button for 5 seconds. The LED indicator light will blink green twice. This stores the opened position in memory.

NOTE: Set Close Travel Limit before setting Open Travel Limit for unit to operate normally. Unless limits are being reset **do not** press set limit buttons.



Limit Controls location on power head.

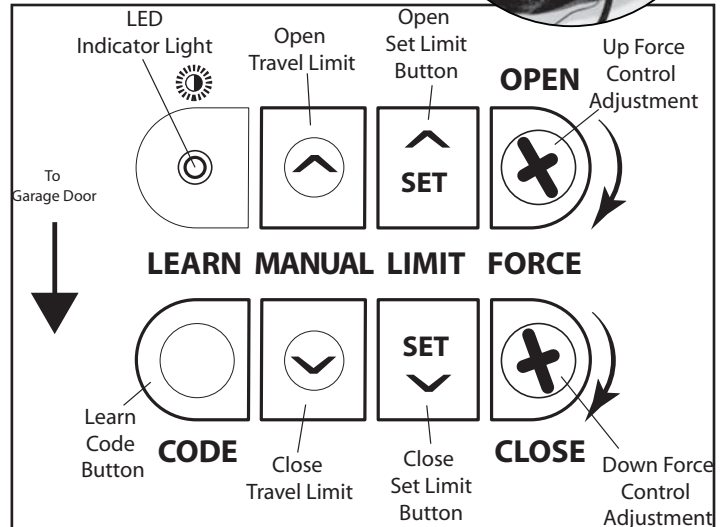


FIG. 6-1 Limit controls

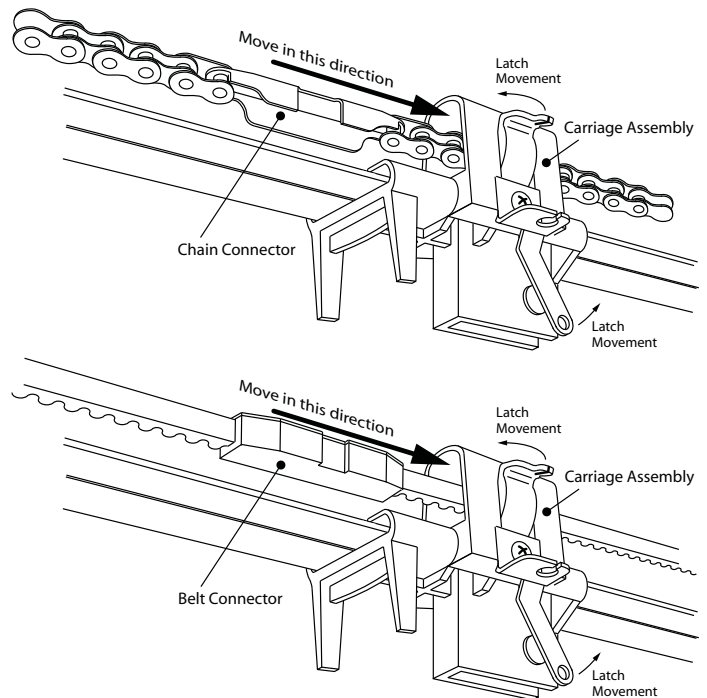


FIG. 6-2 Engage Chain/Belt Connector to Carriage

CAUTION

Operation of the opener without the Chain or Belt Connector engaged to the Carriage Assembly will result in damage to rail components including the rail pulley.

UP/DOWN FORCE

1. By turning the "Close Force Control" Ⓢ clockwise, the **DOWN** force can be increased. By turning the "Close Force Control" Ⓢ counter-clockwise, the **DOWN** force can be **decreased**. Set the **DOWN force level** at the minimum force required to close door without reversing.
2. Once the desired level is selected, this stores the necessary force level for the DOWN direction in memory.
3. By turning the "Open Force Control" Ⓢ clockwise, the **UP** force can be increased. By turning the "Open Force Control" Ⓢ counter-clockwise, the **UP** force can be decreased. Set the **UP force level** at the minimum force required to open door without stopping.
4. Once the desired level is selected, this stores the necessary force level for the UP direction in memory.

ERASE - OPEN/CLOSE TRAVEL LIMIT

1. Press and hold both of the "SET" buttons (Ⓢ & Ⓢ) together until the green indicator light blinks (about 5 seconds).
2. All close and open travel limit settings are erased. Then follow the steps above to reprogram close and open travel limits.

NOTE: The opener will not close the door automatically unless the Safe-T-Beam® System is installed.

CONTACT REVERSE TEST

The force adjustments and limit switch settings **MUST BE COMPLETED** before testing.

1. Testing.

- Open garage door using Wall Control.
 - Place a 2" x 4" board (laid flat) under **center of garage door opening** (Fig. 6-6).
- Close garage door using Wall Control.
- When door contacts board, the door must stop (within 2 seconds) and reverse direction returning to open position.

2. Adjustment.

- If the door does not properly reverse.
 - Check to see if door has "close" limit programmed. It should not have reached its "close" limit before hitting board.
 - If the door **STOPS** but does not reverse, decrease "CLOSE FORCE" Ⓢ control setting slightly (turn it counter-clockwise).
- Test again. Repeat as necessary until door reverses upon contacting board.

CARRIAGE LOCK

The Carriage Lock can be manually engaged or disengaged.

- To disengage Carriage Lock.
 - Pull handle downward towards opener power head.
- To engage Carriage Lock.
 - Pull handle towards door.

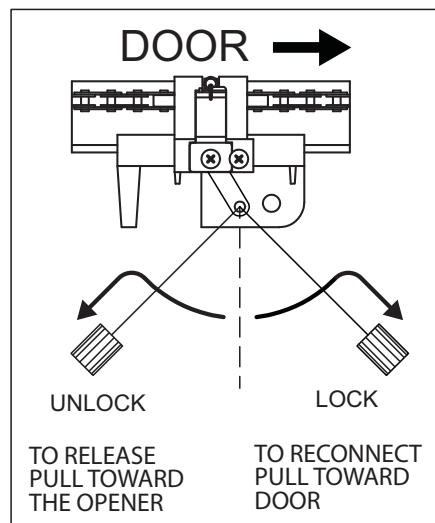


FIG. 6-3 Engage/Disengage Carriage Lock

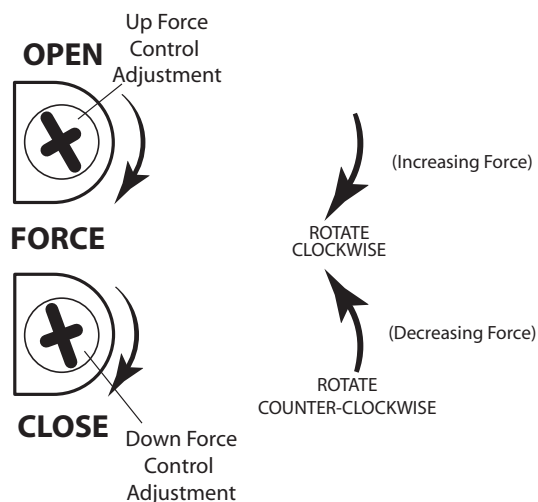


FIG. 6-5 Force Control Adjustment

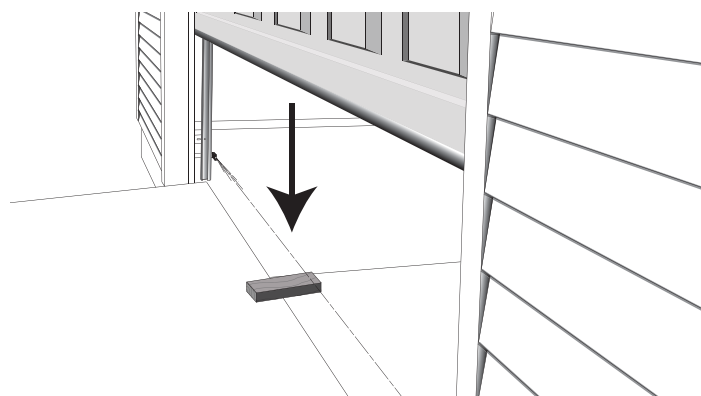


FIG. 6-6 2 x 4 under center of door opening

WARNING

A moving door can cause serious injury or death.

1. Keep people clear of opening while door is moving.
2. Do **NOT** allow children to play with opener, including wall control, remote control, or Wireless Keypad.
3. During programming, the door opener could begin to run, so keep people and objects away from the moving door and its parts. To keep the door from moving, close the door and disconnect it from the Opener by pulling the Emergency Release.

NOTE: Wall control will not operate until limits are set.

NOTE: For remote control locate Box 3.

1a. Single Button Remote Programming.

NOTE: This opener can learn up to 7 single button remote controls.

- Locate learn code button and indicator LED on the power head (**Fig. 7-1**).
- Press and release learn code button.
 - Indicator LED will blink RED at a rate of twice per second.
- **Within 30 seconds**, push remote control button once.
 - Indicator LED will stop blinking and stay ON.
- Press remote control button again.
 - Red LED will go out. Remote is now programmed and ready for use.

1b. Multi Button Remote Programming.

NOTE: Each button on a multi-button remote is designed for use with 1 door. You cannot program 2 buttons to operate the same door, nor can you program 1 button to operate 2 doors. You can program a maximum of 7 different transmitters or wireless devices.

NOTE: Pushing two buttons on power head simultaneously will erase programmed memory and limits must be reset.

- For each button.
 - Program each button separately using the **Single Button Remote Programming** steps.

2. Operating.

- Press remote button once. Door will *move*.
- Press button again. Door will *stop*.
- Press button again. Door will *move in opposite direction*.

NOTE: The door will stop automatically at the fully open or fully closed position.

NOTE: To program a **Homelink®** and **Car2U®** device follow the **Homelink®** or **Car2U®** instructions in your car owner's manual.



FCC and IC CERTIFIED

This device complies with FCC Part 15 and RSS 210 of Industry Canada. This equipment has been tested and found to comply with the limits for a Class B digital device, pursuant to Part 15 of the FCC Rules. These limits are designed to provide reasonable protection against harmful interference in a residential installation. This equipment generates, uses and can radiate radio frequency energy and, if not installed and used in accordance with the instructions, may cause harmful interference to radio communications. However, there is no guarantee that interference will not occur in a particular installation. If this equipment does cause harmful interference to radio or television reception, which may be determined by turning the equipment OFF and ON, the user is encouraged to try to correct the interference by one or more of the following measures:

- Re-orient or relocate the receiver antenna.
- Increase the separation between the opener and receiver.
- Connect the opener into an outlet on a circuit different from that to which the receiver is connected.
- Consult your local dealer.

Limit Controls location on power head.

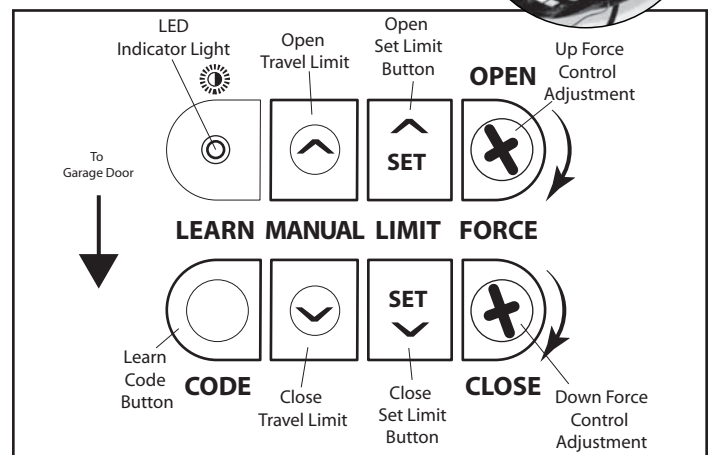
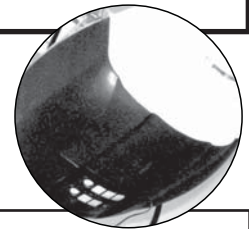



FIG. 7-1 Learn code button and LED

LOST OR STOLEN REMOTE

1. Clear memory.

- Press and hold learn code button  (on power head) for 10 seconds or until the red blinking indicator LED goes out.
- Program remaining or new remote controls as done previously. *Your door opener will no longer recognize any signal received from the missing remote control, or any other which has not been reprogrammed.*

8 REMOTE CONTROL BATTERY REPLACEMENT AND VISOR CLIP INSTALLATION

1. Battery replacement.

- To open, gently push straight out on battery cover lock tab as shown. (Fig. 8-1).
- Slide open battery cover.
 - Remove old battery.
- Make sure new battery is facing proper direction (Match battery polarity with symbols inside battery housing) (Fig. 8-2).
 - Recommended replacement battery type:
Alkaline A23, 12 volt.

NOTE: Batteries differ in care and maintenance. Follow the manufacturer's directions for battery maintenance, replacement, and use.

- Slip new battery into place.
 - Slide battery cover until it clicks shut.
- Operate remote to make sure it is working properly. (No re-programming is needed.)

2. Visor clip.

(The visor clip may come already installed.) You will have to install the visor clip if you choose to attach your remote to the car visor.

- Slide visor clip into back of remote control.
 - It will snap into place (Fig. 8-3).

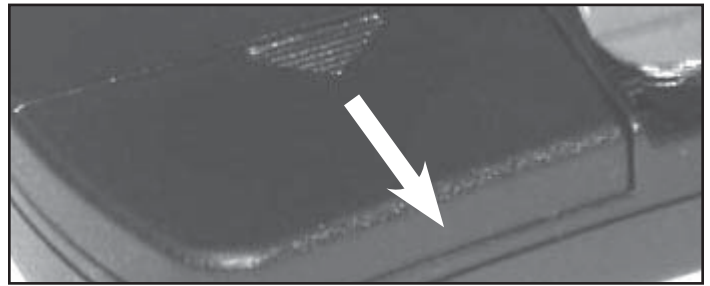


FIG. 8-1 Open battery cover

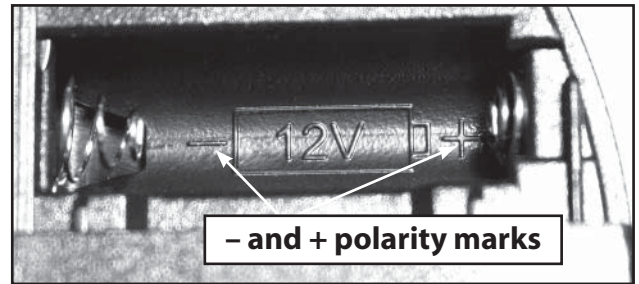


FIG. 8-2 Match battery polarity

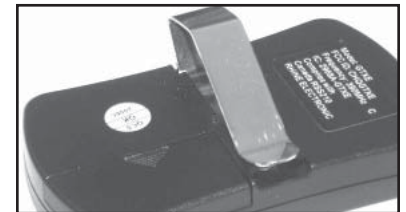


FIG. 8-3 Attach visor clip

9 LIGHT BULB/LENS INSTALLATION

FOR HELP-1.800.929.3667 OR WWW.OVERHEADDOOR.COM

! WARNING

For added safety and protection please unplug opener before installing light bulb.

NOTE: For lens covers locate Box 4.

1. Light bulb.

- Recommendations.
 - Do NOT use a short neck bulb.
 - Light bulbs should be no more than 60 Watts.
 - Use a **heavy duty service** bulb for longer life.
- Screw 1 bulb into each socket.

2. Lens.

- Select a white (lamp) cover.
- On the power head end nearest the garage door, line up lamp lens tabs on power head with corresponding slots in lens (Fig. 9-1).
- Slide lens onto power head. Make sure the tabs are fully engaged into lens slots (Fig. 9-2).
- Repeat for rear lens on power head.
- Plug power cord back into electrical outlet.
- Test lamp operation.

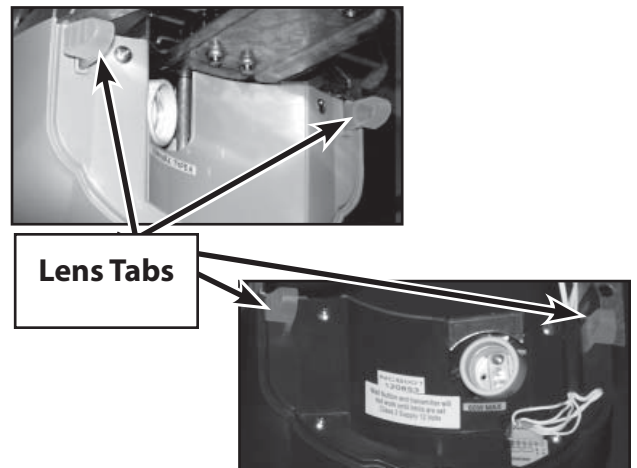


FIG. 9-1 Slide each lens onto motor cover



FIG. 9-2 Fasten lens

IMPORTANT SAFETY INSTRUCTIONS

WARNING

To reduce the risk of severe injury or death:

1. **READ AND FOLLOW ALL INSTRUCTIONS.**
2. Never let children operate or play with the door controls. Keep the remote control away from children.
3. Always keep the moving door in sight and away from people and objects until the door is completely closed. **NO ONE SHOULD CROSS THE PATH OF THE MOVING DOOR.**
4. **NEVER GO UNDER A STOPPED, PARTIALLY OPEN DOOR.**
5. Test opener monthly. The door **MUST** reverse on contact with a 1-1/2" high object (or a 2" x 4" board laid flat) at the center of the doorway on the floor. After adjusting either the force or the limit of travel, retest the door Opener. Failure to adjust the Opener properly may cause severe injury or death.
6. When possible, use the emergency release only when the door is closed. Use caution when using this release with the door open. Weak or broken springs are capable of increasing the rate of door closure and increasing the risk of severe injury or death.
7. **KEEP DOORS PROPERLY BALANCED.** See your garage door Owner's Manual. An improperly balanced door increases the risk of severe injury or death. Have a trained door system technician make repairs to cables, spring assemblies, and other hardware.
8. **SAVE THESE INSTRUCTIONS.**

If you have any questions, please do not hesitate to contact customer service at:

1.800.929.3667

9 MAINTENANCE & TROUBLESHOOTING

FOR HELP-1.800.929.3667 OR WWW.OVERHEADDOOR.COM



WARNING

- Garage door hardware (springs, cables, brackets, pulleys, etc.) are under extreme pressure and tension.
- **DO NOT** attempt to repair or adjust door springs or any hardware, and **DO NOT OPERATE** garage door **automatically or manually** if door is improperly balanced or springs are broken.
 - **CONTACT A TRAINED DOOR SYSTEM TECHNICIAN.**

ROUTINE MONTHLY MAINTENANCE

1. Door balance.

- With the door closed, pull emergency release knob (Carriage Lock) towards the opener to release door from carriage assembly.
- Raise door manually approximately 3'- 4' and release.
 - Door should remain stationary or move very slightly.
 - If door moves quickly, **CONTACT A TRAINED DOOR SYSTEM TECHNICIAN.**
- Close the door.
- Pull emergency release knob towards door to engage carriage.
 - Operate door using remote.
 - Door will re-attach itself to carriage assembly.

2. Contact reverse.

- Place a 2" x 4" board laid flat on floor.
 - In center of garage door opening.
- Close door by using wall button or remote control.
 - Door fails to reverse on contact with board (See section **6** "CONTACT REVERSE TEST").
 - Opener still fails
CONTACT AN AUTHORIZED OVERHEAD DOOR DEALER OR OVERHEAD DOOR CORPORATION

3. Safe-T-Beam® System.

- Red LED blinks.
 - Check alignment (See section **5**).



WARNING

Use wall control supplied with opener. Any other wall control can cause the opener to operate unexpectedly

CIRCUIT WIRING DIAGRAM

FOR HELP-1.800.929.3667 OR WWW.OVERHEADDOOR.COM

Opener circuit wiring diagram. This wiring diagram is for reference only.

Schéma de câblage de l'ouvreuse. Ce schéma de câblage est indiqué à titre de référence uniquement.

Diagrama del circuito del operador. Este diagrama es sólo para referencia.

-  **WARNING**
-  **AVERTISSEMENT**
-  **ADVERTENCIA**

Opening Cover May Cause Electric Shock.

L'ouverture du couvercle peut entraîner des chocs électriques.

Abrir la tapa puede causar choques eléctricos.

Disconnect power from opener prior to removing cover.

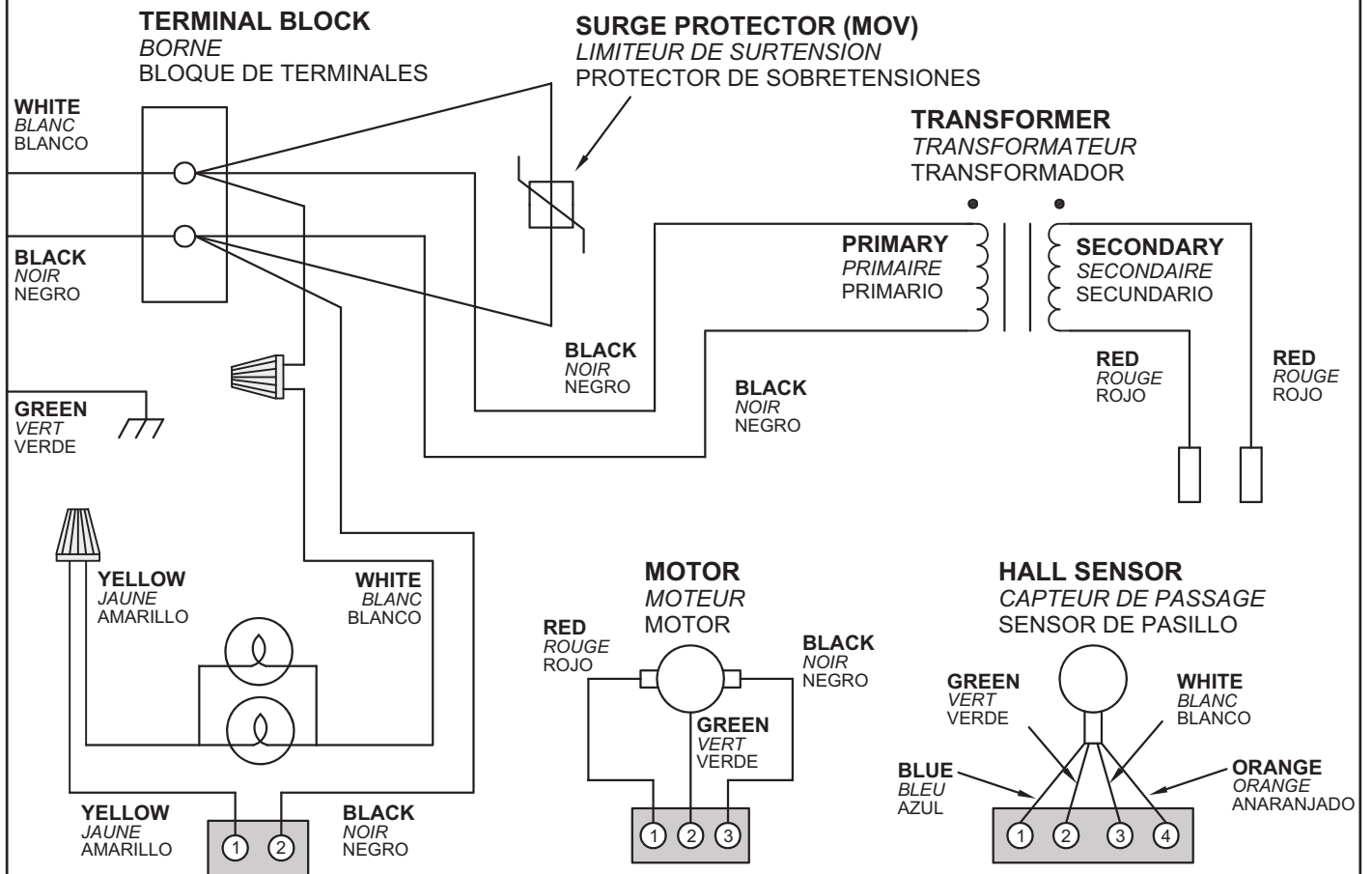
Coupez l'alimentation de l'ouvre-porte avant de retirer le couvercle.

Desconecte la electricidad del abrepuertas antes de quitar la cubierta.

POWER CORD

CORDON DE SECTEUR

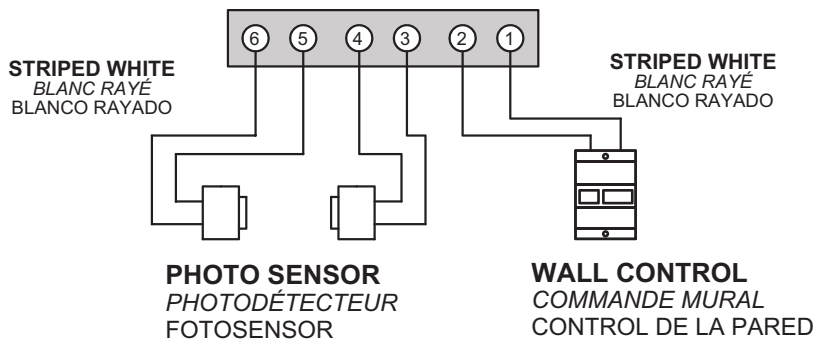
CABLE ELÉCTRICO



-  **WARNING**
-  **AVERTISSEMENT**
-  **ADVERTENCIA**



ELECTRICAL SHOCK.
CHOC ÉLECTRIQUE
CHOQUE ELÉCTRICO



PROBLEM	WHAT TO DO
<p>Opener does NOT run from wall control.</p>	<ul style="list-style-type: none"> • Check power source. <ul style="list-style-type: none"> – Plug a lamp into outlet used for power head. If lamp works, power source is OK. – If not, check fuse or circuit breaker. • If power is OK. <ul style="list-style-type: none"> – Check connections at power head terminals and at wall control. • Check for reverseds, broken, or cut wires. Staples can cut insulation and short wires. Repair or replace.
<p>Opener runs, but door does NOT move.</p>	<ul style="list-style-type: none"> • Make sure carriage is engaged to carriage slide. <ul style="list-style-type: none"> – Place carriage lever in lock position. • Check to make sure chain/belt is not broken or OFF its track. • Check FORCE ADJUSTMENT (See section 6). Door opener will NOT run more than 30 seconds each way if door does not move.
<p>Opener works from wall control, but NOT from remote control.</p>	<ul style="list-style-type: none"> • Confirm vacation lock switch on wall control is OFF. (See section 3). • Program remote control code into receiver memory. (See section 7). • Replace remote control battery with good one. (See section 8).
<p>Remote control has less than 25 feet operating range or no operation.</p>	<ul style="list-style-type: none"> • Relocate remote control inside car and or point remote control at garage door. • Replace battery (See section 8). • Reposition door opener antenna. • Red LED blinks while button is being pushed or LED does not come on - battery is low, replace battery.
<p>Door starts down, then STOPS and goes back up.</p> <p>OR</p> <p>Safe-T-Beam® System malfunction.</p>	<ul style="list-style-type: none"> • If a NEW installation, check Door Arm position (See section 2). • Check Safe-T-Beam® system for beam obstruction or misalignment of lenses (See section 3). • Check if Safe-T-Beam® Red LED is flashing. • Check "CLOSE FORCE" adjustment (See section 6). • Check garage door for binding. • If an operational problem exists, and opener will not run closed. The opener can be forced to close as follows (See section 5). Hold the wall control button down until door is completely closed. • Disconnect the Safe-T-Beam® System from the opener and contact an authorized Overhead Door Dealer or contact Overhead Door Corporation at 1.800.929.3667.
<p>Door starts down, then STOPS before it's closed.</p> <p>OR</p> <p>Door will only open.</p>	<ul style="list-style-type: none"> • Check CONTACT REVERSE (See section 6). • Check garage door for binding. • Wires shorted. Staples can cut insulation and short wires. Repair or replace. • Check "CLOSE FORCE" adjustment (See section 6).
<p>Door starts up, but STOPS before it's completely open.</p>	<ul style="list-style-type: none"> • Be sure door, opener, and springs are in good repair, properly lubricated and balanced (See maintenance section). • Check "OPEN" limit setting (See section 6). • Check "OPEN FORCE" adjustment (See section 6). • WARNING: If you suspect a problem with the garage door hardware or springs, contact an authorized Overhead Door Dealer or a trained door system technician, or contact Overhead Door Corporation at 1.800.929.3667.
<p>Door will only run closed.</p>	<ul style="list-style-type: none"> • Check door balance, condition, and door spring. • Check "OPEN FORCE" adjustment (See section 6). • WARNING: If you suspect a problem with the garage door hardware or springs, contact an authorized Overhead Door Dealer or a trained door system technician, or contact Overhead Door Corporation at 1.800.929.3667.
<p>Door opener starts for no reason.</p>	<ul style="list-style-type: none"> • Was a remote control lost or stolen? Erase all remote control codes from receiver memory and reprogram (See section 7). • Button stuck on wall control or remote. • Check CLOSE limit switch setting (See section 6). • Wires shorted. Staples can cut insulation and short wires. Repair or replace.
<p>Noisy operation.</p>	<ul style="list-style-type: none"> • Be sure all fasteners are tight. • Be sure door and opener is in good repair, properly lubricated and balanced (See maintenance section).

Power head LED		Possible Problem	Solution
Red LED showing	Green LED showing		
OFF	OFF	Normal operation	None required
Continuous ON		<ul style="list-style-type: none"> • Programming incomplete 	<ul style="list-style-type: none"> • Complete programming
1 BLINK, Pause (Repeat)		<ul style="list-style-type: none"> • Transmitter has not learned 	<ul style="list-style-type: none"> • Push button to program
	1 BLINK, Pause (Repeat)	<ul style="list-style-type: none"> • Programming incomplete • Safe-T-Beam® sensor obstruction going down • Door obstruction going down • Door obstruction going up 	<ul style="list-style-type: none"> • Set DOWN LIMIT programming • Check for obstruction, remove <ul style="list-style-type: none"> – Check door spring. – Contact Overhead Door Corporation at 1.800.929.3667
	2 BLINK, Pause (Repeat)	<ul style="list-style-type: none"> • Programming incomplete • Wire to power head or wire connection at power head is bad • Sensors out of alignment • Continuous obstruction 	<ul style="list-style-type: none"> • Set UP LIMIT programming • Check power head wiring, check connections <ul style="list-style-type: none"> – Replace or repair • Check Source & Sensor alignment • Check for obstruction
	3 BLINK, Pause (Repeat)	<ul style="list-style-type: none"> • Limits set backwards 	<ul style="list-style-type: none"> • Clear limits and reprogram (See section 6)
	4 BLINK, Pause (Repeat)	<ul style="list-style-type: none"> • Push button wire short • Push button wires reversed in power head connector 	<ul style="list-style-type: none"> • Check push button and wiring Staples can cut insulation and shorts wires. Repair or replace push button and/or wiring <ul style="list-style-type: none"> – Contact Overhead Door Corporation at 1.800.929.3667 • Reverse wire placement in power head connector (See section 3)
	5 BLINK, Pause (Repeat)	<ul style="list-style-type: none"> • Chain is too tight • Control system failure 	<ul style="list-style-type: none"> • Adjust chain tension (See section 1) <ul style="list-style-type: none"> – Contact Overhead Door Corporation at 1.800.929.3667 • Contact factory authorized dealer for service

TRANSMITTER COMPLIANCE STATEMENT

Transmitters comply with all United States and Canadian legal requirements as of the date of manufacture. No warranty is made that they comply with all legal requirements of any other jurisdiction. If transmitters are to be used in another country, the importer must determine compliance with any local laws and regulations which may differ from United States and Canadian requirements prior to use.

Los transmisores cumplen con todas las reglamentaciones legales de los Estados Unidos y del Canadá, en la fecha de fabricación. Ninguna garantía se da que cumplan con todas las reglamentaciones legales de ninguna otra jurisdicción. Si los transmisores se van a utilizar en otro país, el importador debe determinar si cumplen con las reglamentaciones y leyes locales que puedan ser diferentes a las reglamentaciones de los Estados Unidos y del Canadá, antes de usar los mismos.

Les émetteurs sont conformes à la réglementation américaine et canadienne à compter de leur date de fabrication. Aucune garantie n'est stipulée indiquant qu'ils sont conformes à toutes les prescriptions juridiques d'autres autorités. Si les émetteurs sont utilisés dans d'autres pays, il incombe à l'importateur d'en déterminer leur conformité aux lois et règles locales pouvant différer de celles des États-Unis et du Canada avant toute utilisation desdits émetteurs.

Sendegeräte entsprechen allen gesetzlichen Bestimmungen in den USA und Kanada zum Zeitpunkt der Herstellung. Wir übernehmen keine Gewährleistung für die Einhaltung aller gesetzlichen Bestimmungen in anderen Ländern. Sollen Sendegeräte in anderen Ländern eingesetzt werden, so muss der Importeur vor dem Gebrauch sicherstellen, dass die Sendegeräte auch solchen lokalen Bestimmungen entsprechen, welche von den Bestimmungen der USA und Kanadas abweichen.

截止于制造日期,传动装置符合美国和加拿大的所有法律要求。不提供传动装置符合任何其他司法地区所有法律要求之担保。如果传动装置需在任何其他国家使用,进口商必须在使用之前确定装置符合与美国和加拿大要求不同之所有地方法规条例。

トランスミッターは、製造日付けのアメリカ合衆国及びカナダの法的条件に準拠します。しかしながら、トランスミッターがアメリカ合衆国及びカナダ以外の国の法的条件に準拠するか否かは一切保証できません。トランスミッターがアメリカ合衆国及びカナダ以外の国で使用される場合、同製品の使用に先立つ法規制がこれらの国々と異なることがあるため、輸入者は同製品が輸入国の法規制に準拠することを確認しなければなりません。

트랜스미터들은 미국과 캐나다 전역에서 제조 날짜를 명기해야 하는 요구사항에 따라야 합니다. 기타 다른 관할권의 모든 법적인 요구 사항에 따라야 하는 책임은 없습니다. 만일 트랜스미터들이 기타 다른 지역에서 사용될 경우 수입업자는 사용하기에 앞서 미국과 캐나다와의 요구사항과는 다를지도 모르는 그 지역의 법과 조례에 따라야 할지의 여부를 결정해야 합니다.

The Genuine. The Original.



**Legacy® 800
Limited Warranty**

The Distributor of Overhead Door Corporation products whose name appears below ("Seller") warrants to the original purchaser of the Legacy® 800 Operator, Model 2026 ("Product"), subject to all of the terms and conditions hereof, that the Product and all components thereof will be free from defects in materials and workmanship for the following period(s) of time, measured from the date of installation:

- MOTOR- Seller warrants the motor for a period of TEN (10) YEARS.
- PARTS- Seller warrants all other parts and components for a period of ONE (1) YEAR.

Seller's obligation under this warranty is specifically limited to repairing or replacing, at its option, the Product or any part thereof which is determined by Seller to be defective during the applicable warranty period. Any labor charges are excluded and will be the responsibility of the purchaser.

This warranty gives you specific legal rights, and you may also have other rights which vary from state to state. This warranty is made to the original purchaser of the Product only, and is not transferable or assignable. This warranty applies only to Product installed in a residential or other non-commercial application. It does not cover any Product installed in commercial or industrial building applications. This warranty does not apply to any unauthorized alteration or repair of the Product, or to any Product or component which has been damaged or deteriorated due to misuse, neglect, accident, failure to provide necessary maintenance, normal wear and tear, or acts of God or any other cause beyond the reasonable control of Seller, and does not cover batteries, or repairs or maintenance to door components.

ALL EXPRESS AND IMPLIED WARRANTIES FOR THE PRODUCT, INCLUDING BUT NOT LIMITED TO ANY IMPLIED WARRANTIES OF MERCHANTABILITY AND FITNESS FOR A PARTICULAR PURPOSE, ARE LIMITED IN TIME TO THE APPLICABLE WARRANTY PERIOD REFLECTED ABOVE. NO WARRANTIES, WHETHER EXPRESS OR IMPLIED, WILL APPLY AFTER THE LIMITED WARRANTY PERIOD HAS EXPIRED. Some states do not allow limitations on how long an implied warranty lasts, so the above limitation may not apply to you.

IN NO EVENT SHALL OVERHEAD DOOR CORPORATION BE RESPONSIBLE FOR, OR LIABLE TO ANYONE FOR, SPECIAL, INDIRECT, COLLATERAL, PUNITIVE, INCIDENTAL OR CONSEQUENTIAL DAMAGES, even if Overhead Door Corporation has been advised of the possibility of such damages. Such excluded damages include, but are not limited to, loss of use, cost of any substitute product, or other similar indirect financial loss. Some states do not allow the exclusion or limitation of incidental or consequential damages, so the above limitation or exclusion may not apply to you.

Claims under this warranty must be made promptly after discovery, within the applicable warranty period and in writing to the Seller whose name and address appear below. The Purchaser must allow Seller a reasonable opportunity to inspect any product claimed to be defective prior to removal or any alteration of its condition. Proof of purchase and/or the installation date, and identification as the original purchaser may be required. Upon determination by Seller that the Product or any part thereof is defective during the applicable warranty period. Seller will supply the purchaser with replacement parts or, at its option, a replacement Product. Seller may use new or reconditioned parts, or a new or reconditioned Product of the same or similar design.

There are no established informal dispute resolution procedures of the type described in the Magnuson-Moss Warranty Act.

ORIGINAL PURCHASER _____

INSTALLATION ADDRESS _____

SELLER: _____

SELLER'S ADDRESS: _____

FACTORY ORDER #: _____

DATE OF INSTALLATION: _____

SIGNATURE OF SELLER: _____

Diodo luminiscente (LED) de la caja de control	Mostrando el LED rojo		Solución
	Mostrando el LED verde	Possible problema	
APA GADO	APA GADO	Operación normal	Ninguno se necesita
CENCENDIDO		Programación incompleta	Programación completa
1 PARRADEO, Pausa (Repta)	1 PARRADEO, Pausa (Repta)	Transmisor no ha sido programado	Botón pulsador a programar
1 PARRADEO, Pausa (Repta)	1 PARRADEO, Pausa (Repta)	Programación incompleta	Fije la programación del LÍMITE DE BAJAR
1 PARRADEO, Pausa (Repta)	1 PARRADEO, Pausa (Repta)	Yendo hacia abajo del sistema de haz luminoso de seguridad (Safe-T-Beam®)	Verifique la obstrucción, quite
1 PARRADEO, Pausa (Repta)	1 PARRADEO, Pausa (Repta)	Yendo hacia abajo de la puerta	Verifique la obstrucción, quite
1 PARRADEO, Pausa (Repta)	1 PARRADEO, Pausa (Repta)	Yendo hacia arriba de la puerta	Verifique el resorte de la puerta.
1 PARRADEO, Pausa (Repta)	1 PARRADEO, Pausa (Repta)	Yendo hacia arriba de la puerta	Comuníquese con la Compañía Overhead Door al 1.800.929.3667
2 PARRADEO, Pausa (Repta)	2 PARRADEO, Pausa (Repta)	Programación incompleta	Fije la programación del LÍMITE DE LEVANTAR
2 PARRADEO, Pausa (Repta)	2 PARRADEO, Pausa (Repta)	Alambre a la caja de control o la conexión de alambre a la caja de control está mal	Verifique el alambrado de la caja de control, verifique las conexiones, cambie o repare
2 PARRADEO, Pausa (Repta)	2 PARRADEO, Pausa (Repta)	Detectores fuera de alineamiento	Verifique la alineación de la fuente y detector
2 PARRADEO, Pausa (Repta)	2 PARRADEO, Pausa (Repta)	Obstrucción continua	Verifique si hay obstrucción
3 PARRADEO, Pausa (Repta)	3 PARRADEO, Pausa (Repta)	Límites fijados al revés	Borre los límites y re-programe (Vea la sección 6)
4 PARRADEO, Pausa (Repta)	4 PARRADEO, Pausa (Repta)	El alambre del pulsador brevemente	Verifique el botón pulsador y alambrado. Las grapas pueden cortar el aislamiento y hacer cortocircuito en los cables. Repare o cambie el botón pulsador y/o el alambrado.
4 PARRADEO, Pausa (Repta)	4 PARRADEO, Pausa (Repta)	El pulsador alambra invertido en el conector de cabeza de poder	Colocación del alambre inverso en el conector de la caja de control. (Vea la sección 3)
5 PARRADEO, Pausa (Repta)	5 PARRADEO, Pausa (Repta)	Cadena demasiado tensa	Ajuste la tensión de la cadena (Vea la sección 1)
5 PARRADEO, Pausa (Repta)	5 PARRADEO, Pausa (Repta)	Falla del sistema de control	Comuníquese con la Compañía Overhead Door al 1.800.929.3667
5 PARRADEO, Pausa (Repta)	5 PARRADEO, Pausa (Repta)	Falla del sistema de control	Comuníquese con el agente autorizado de fábrica para servicio

PROBLEMA	QUÉ HACER
<p>El operador NO funciona desde el control de pared</p> <ul style="list-style-type: none"> • Verifique la fuente de potencia eléctrica. • Conecte una lámpara en el enchufe usado para la caja de control. Si la lámpara funciona, la corriente está bien • Si no, verifique el fusible o el interruptor automático. • Verifique las conexiones en los terminales de la caja de control y el control de pared. • Verifique si hay alambres rotos o cortados. Las grapas pueden cortar el aislamiento y hacer cortocircuitos. Repare o cambie. 	<p>El operador funciona pero la puerta NO se mueve</p> <ul style="list-style-type: none"> • Asegúrese de que el corredizo esté enganchado en el deslizador del corredizo. • Ponga la palanca del corredizo en la posición bloqueada. • Verifique para estar seguro de que la cadena no esté rota o FUERA de su riel o pínion • Verifique el AJUSTE DE FUERZA (Vea la sección 6). El operador NO funciona por más de 30 segundos en cada dirección si la puerta no se mueve.
<p>El operador funciona desde el control de pared, pero NO funciona desde el control remoto</p> <ul style="list-style-type: none"> • Confirme el interruptor de cerradura de las vacaciones en control de pared está apagado. (Vea la sección 3). • Programe el código del control remoto en la memoria del receptor (Vea la sección 7). • Cambie la batería del control remoto por una buena. (Vea la sección 8). 	<p>El control remoto tiene menos de 25 pies de alcance de funcionamiento o no funciona</p> <ul style="list-style-type: none"> • Re-localice el control remoto dentro del automóvil o apunte el control remoto a la puerta del garaje • Cambie la batería (Vea la sección 8). • Re-posicione la antena del operador de puertas • El LED rojo parpadea mientras el botón está siendo empujado o el LED no se enciende – la batería está baja, cambie la batería
<p>La puerta empieza a bajar, luego se PARA y sube nuevamente</p> <p>O</p> <p>Mal funcionamiento del sistema del Safe-T-Beam®</p> <ul style="list-style-type: none"> • Si es una instalación NUEVA, verifique la posición del brazo de la puerta (Vea la sección 2). • Verifique si el sistema del Safe-T-Beam® tiene mala alineación de lentes u obstrucción (Vea la sección 3). • Verifique si el LED rojo del Safe-T-Beam® está parpadeando. • Verifique el ajuste de la "FUERZA DE CERRAR" (Vea la sección 6). • Verifique si la puerta del garaje se traba • Si existe algún problema operacional y el operador no funciona cerrando. Puede forzarse que el operador cierre como sigue (Vea la sección 5). Sostenga el botón de control de pared hacia abajo hasta que la puerta cierre totalmente • Comuníquese con un Agente autorizado de Overhead Door o con un técnico de servicio profesional capacitado, o comuníquese con la Overhead Door Corporation al 1.800.929.3667. 	<p>La puerta empieza a bajar, luego se PARA antes de que esté cerrada</p> <p>O</p> <p>La puerta solamente abre</p> <ul style="list-style-type: none"> • Verifique el CONTACTO INVERSO (Vea la sección 6) • Verifique si la puerta del garaje se traba • Alambres en cortocircuito. Las grapas con aislamiento pueden cortar el aislamiento y hacen cortocircuito. Repare o cambie • Verifique el ajuste de la "FUERZA DE CERRAR" (Vea la sección 6).
<p>La puerta empieza a levantarse pero se PARA antes de que esté totalmente abierta</p> <ul style="list-style-type: none"> • Asegúrese de que la puerta, el operador y los resortes estén bien, correctamente lubricados y equilibrados (Vea la sección 10) • Verifique el ajuste de "ABRIR" (Vea la sección 6) • Verifique el ajuste de la "FUERZA DE ABRIR" (Vea la sección 6). • ADVERTENCIA: Si sospecha un problema con el herraje de la puerta del garaje o resortes, comuníquese con un Agente autorizado de Overhead Door o con un técnico de servicio profesional capacitado, o comuníquese con la Overhead Door Corporation al 1.800.929.3667. 	<p>La puerta solamente corre en la dirección de cierre</p> <ul style="list-style-type: none"> • Verifique la condición de la puerta y resorte • Verifique el ajuste de la "FUERZA DE ABRIR" (Vea la sección 6). • ADVERTENCIA: Si sospecha un problema con el herraje de la puerta del garaje o resortes, comuníquese con un Agente autorizado de Overhead Door o con un técnico de servicio profesional capacitado, o comuníquese con la Overhead Door Corporation al 1.800.929.3667.
<p>El operador de puertas arranca sin razón</p> <ul style="list-style-type: none"> • ¿Fue un control remoto perdido o robado? Borre todos los códigos de control de la memoria del receptor y re-programe (Vea la sección 7). • El botón se traba en el control de pared (Vea la sección 7). • Verifique el ajuste del interruptor limitador de CERRAR (Vea la sección 6) • Alambres en cortocircuito. Las grapas con aislamiento pueden cortar el aislamiento y hacer cortocircuito. Repare o cambie. 	<p>Funcionamiento ruidoso</p> <ul style="list-style-type: none"> • Asegúrese de que todos los sujetadores estén apretados • Asegúrese de que la puerta y el operador estén en buenas condiciones, bien lubricados y equilibrados (Vea la sección 10).

INSTRUCCIONES DE SEGURIDAD IMPORTANTES

ADVERTENCIA

Para reducir el riesgo de lesiones graves o la muerte:

1. LEA Y SIGA TODAS LAS INSTRUCCIONES.

2. Nunca deje que los niños hagan funcionar o jueguen con los controles de la puerta. Mantenga el control remoto alejado de los niños.

3. Siempre mantenga la puerta en movimiento a la vista y alejada de las personas y objetos hasta que la puerta esté totalmente cerrada. NADIE DEBE CRUZAR LA TRAYECTORIA DE LA PUERTA EN MOVIMIENTO.

4. NUNCA VAYA DEBAJO DE UNA PUERTA DETENIDA, PARCIALMENTE ABIERTA.

5. Pruebe el operador mensualmente. La puerta DEBE invertir el recorrido al tocar un objeto de 1-1/2" (o larguero de 2" x 4", puesto plano) en el centro del vano, en el piso. Después de ajustar la fuerza o el límite del recorrido, vuelva a probar el abridor de puertas. La falla de ajustar correctamente el abridor puede causar lesiones graves o

6. Cuando sea posible, use el desenganche de emergencia sólo estando cerrada la puerta. Tenga cuidado al usar el desenganche con la puerta abierta. Los resortes débiles o rotos son capaces de aumentar la velocidad del cierre

7. MANTENGA LAS PUERTAS CORRECTAMENTE EQUILIBRADAS. Vea su Manual del propietario de la puerta. Una puerta incorrectamente equilibrada aumenta el riesgo de lesiones graves o la muerte. Mande hacer reparaciones con un técnico profesional de servicio a los cables, conjunto de resortes y otros herrajes.

8. GUARDE ESTAS INSTRUCCIONES.

Si tiene alguna pregunta, por favor no tenga reparo en comunicarse con el servicio al cliente llamando al: **1.800.929.3667**

9 MANTENIMIENTO

PARA LA AYUDA-1.800.929.3667 OR WWW.OVERHEADDOOR.COM

ADVERTENCIA

• El herraje de la puerta del garaje (resortes, cables, soportes, poleas, etc.) están bajo tensión y presión extrema.

• No intente reparar o ajustar los resortes o cualquier cosa de la puerta por ejemplo a los cuales los resortes de la puerta se sujetan; el bloque de madera, el soporte de acero, los cables, u otro tienen gusto de artículos, y no funcionan la puerta del garaje automáticamente o manualmente si la puerta se balancea incorrectamente o los resortes están quebrados.

– **COMUNÍQUESE CON UN TÉCNICO DE SERVICIO PROFESIONAL CAPACITADO.**

MANTENIMIENTO MENSUAL DE RUTINA

1. Equilibrio de la puerta.

- Con la puerta cerrada, tire la perilla de desenganche de emergencia (Bloqueo del corredizo) hacia el abridor para desenganchar la puerta del conjunto del corredizo.
- Levante la puerta manualmente de 3' a 4' y suelte.
- La puerta debe permanecer estacionaria o moverse muy ligeramente.
- Si la puerta se mueve rápidamente, MANDE DARLE SERVICIO POR UN PROFESIONAL.
- Cierre la puerta.

• Tire de la perilla de desenganche de emergencia hacia la puerta para engranar el corredizo.

– Haga funcionar la puerta usando el remoto.

– La puerta se re-acoplará sola al conjunto del corredizo.

2. Contacto inverso.

- Ponga un larguero de 2" x 4" de plano en el piso.
- En el centro del vano de la puerta del garaje.
- Cierre la puerta usando el botón de pared o el control remoto.

– La puerta falla en invertir el recorrido al entrar en contacto con el larguero (Vea la sección 6).

– Todavía falla el operador

COMUNÍQUESE CON LA OVERHEAD DOOR CORP O CON UN AGENTE AUTORIZADO DE OVERHEAD DOOR

3. Sistema de haz luminoso de seguridad Safe-T-Beam®.

- Diodo luminoso (LED) rojo parpadea.
- Verifique la alineación (Vea la sección 5).

ADVERTENCIA

Use el control de pared suministrado con el operador. Cualquier otro control de pared puede hacer que el operador funcione inesperadamente

8 CAMBIO DE BATERÍA DEL CONTROL REMOTO E INSTALACIÓN DEL SUJETADOR DE VISERA

1. Cambio de batería.

- Para abrir, oprima la tapa de la batería suavemente como indicado (Fig. 8-1).
- Abra dando vuelta la tapa de la batería. – Quite la batería vieja.
- Asegúrese de que la batería nueva esté en la dirección correcta (Haga coincidir la polaridad con los símbolos adentro de la tapa de la batería) (Fig. 8-2).
- Tipo de batería de reemplazo recomendada: A23 Alcalina, de 12 voltios.

NOTA: Las baterías son diferentes en cuanto a cuidado y mantenimiento. Siga las instrucciones del fabricante para el mantenimiento, reemplazo y uso de la batería.

- Resbale la batería nueva en el lugar.
- Deslice la tapa de la batería hasta que haga clic al cerrar.
- Haga funcionar el remoto para asegurarse de que esté funcionando bien. (No se necesita re-programar.)

2. Sujetador de visera.

- (El clip del visera puede venir instalado ya) Usted debe instalar el sujetador de visera si escoge llevar su remoto acoplado al sujetador del automóvil.
- Resbale el sujetador de visera en la parte posterior del control remoto.
 - Hará un clic en el lugar (Fig. 8-3).

Para la seguridad y la protección agregadas desenchufe por favor el abrejetas antes de instalar la bombilla.

NOTA: Para la tapa de la lente localice la Caja 4.

1. Bombilla.

- Recomendaciones.
 - **NO** use una bombilla de cuello corto.
 - La bombilla no debe tener más de 60 vatios.
 - Use una bombilla de servicio pesado para larga duración.
- Atornille un la bombilla en el casquillo.

2. Lente.

- Seleccione la tapa blanca (lámpara).
- Alinee las lengüetas de la lámpara en la caja de control con las ranuras correspondientes en la lente (Fig. 9-1).
- Resbale la lente en la caja de control. Asegúrese de que las lengüetas estén bien metidas en las ranuras (Fig. 9-2).
- Repetición para la lente posterior en la cabeza de la energía.
- Conecte el cordón eléctrico otra vez en el tomacorriente.
- Operación de la lámpara de prueba.

9 INSTALACIÓN DE LA BOMBILLA /LENTE

ADVERTENCIA

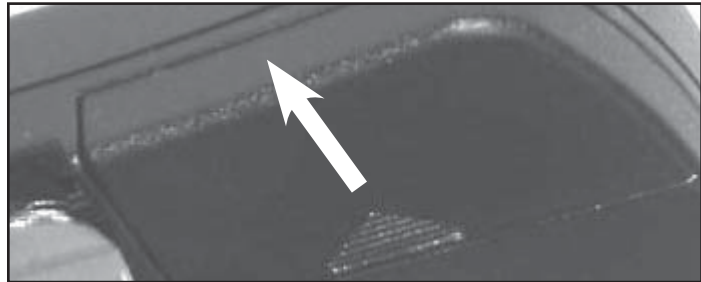


FIG. 8-1 Abra la tapa de la batería

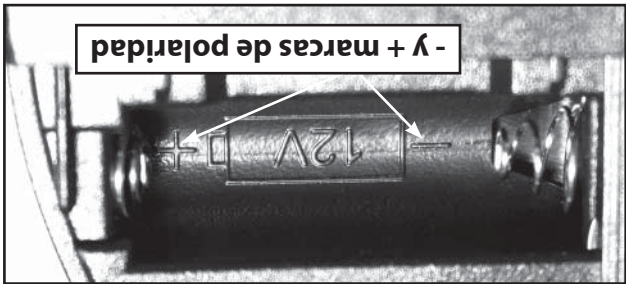


FIG. 8-2 Haga coincidir la polaridad de la batería



FIG. 8-3 Acople el sujetador de visera

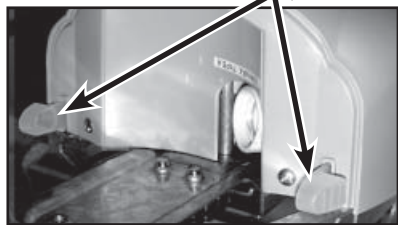


FIG. 9-1 Resbale cada lente del motor



FIG. 9-2 Apriete la lente



NOTA: Para programar un dispositivo Homelink® y Car2U® siga las instrucciones de Homelink® o Car2U® en el manual del propietario de su automóvil.

NOTA: La puerta se detendrá automáticamente en la posición totalmente abierta o totalmente cerrada.

- Oprima una vez el botón remoto. La puerta se moverá.
- Oprima otra vez el botón. La puerta se parará.
- Oprima otra vez el botón. La puerta se moverá en dirección opuesta.

2. Funcionamiento

los pasos de programación del remoto de botón sencillo.

- Programe cada botón separadamente usando Para cada botón.

NOTA: Presionando 2 botones simultáneamente borrará la memoria programada y se deben volver a fijar los límites.

NOTA: Cada botón en un remoto de botones múltiples está diseñado para uso con 1 puerta. Usted no puede programar 2 botones para operar la misma puerta, ni puede programar 1 botón para operar 2 puertas. Puede programar un máximo de 7 transmisores diferentes o dispositivos inalámbricos.

1b. Programación remota de botones múltiples.

- El LED rojo se apagará. El remoto ahora está programado y de manera operacional.

- Oprima otra vez el botón del control remoto. quedará encendido.

- El indicador LED dejará de parpadear y botón de control remoto.

- Dentro de 30 segundos, empuje una vez el 2 veces por segundo.

- El indicador LED parpadeará ROJO a razón de programar.

- Oprima y suelte el botón del código de indicador LED en la caja de control (Fig. 7-1).

Localice el botón del código de programar y el

NOTA: Para el control remoto localice la Caja 3.

ADVERTENCIA

Una puerta en movimiento puede causar lesiones graves o la muerte.

1. Mantenga a las personas alejadas del vano de la puerta en movimiento.
2. NO permita que los niños jueguen con el techado numérico.
3. Durante la programación, el abridor de puertas puede empezar a funcionar, entonces manténgase alejado de la puerta en movimiento y sus piezas. Para impedir que la puerta se mueva, cierre la puerta y desconecte el abridor

estirando el desenganche de emergencia.

NOTA: Este operador puede programar hasta 7 controles remotos de botón sencillo.

7 PROGRAMACIÓN DE CONTROLES REMOTOS

CERTIFICADO POR FCC EIC

Este dispositivo cumple con la Parte 15 de la FCC y RSS 210 de Industry Canada. Este equipo ha sido probado y se encontró que cumple con los límites de dispositivo digital para la Clase B, de acuerdo a la Parte 15 de las Reglas de la FCC Rules. Estos límites están diseñados para que proporcionen protección razonable contra interferencias dañinas en una instalación residencial. Este equipo genera, usa y puede radiar energía de frecuencia radial y, si no se instala y utiliza de acuerdo con las instrucciones, puede causar interferencias dañinas a las comunicaciones radiales. Sin embargo, no hay garantía de que la interferencia no ocurrirá en una instalación particular. Si este equipo causa interferencias dañinas a la recepción radial o de televisión, la que se puede determinar APAGANDO Y ENCENDIENDO el equipo, se alienta al usuario tratar de corregir la interferencia por una o más de las siguientes medidas:

- Re-orientar o re-localice la antena del receptor.
- Aumente la separación entre el operador y el receptor.
- Conecte el operador en un tomacorriente de un circuito diferente al que está conectado el receptor.
- Consulte con su agente local.

El límite controla la ubicación en la cabeza del poder

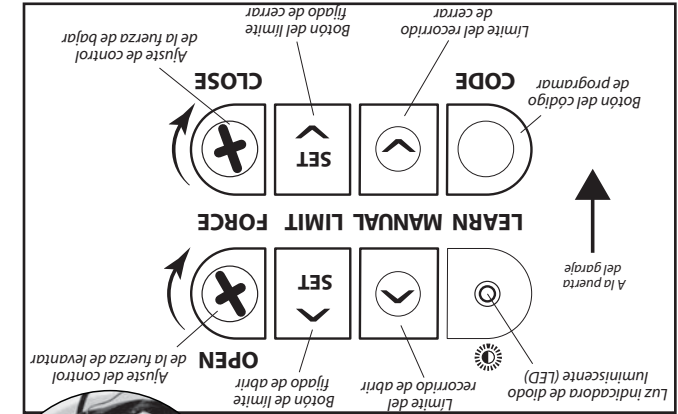
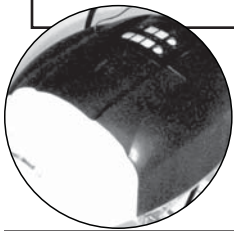


FIG. 7-1 Botón del código de programar y del LED

REMOTO PERDIDO O ROBADO

1. Borre la memoria.

- Oprima y sostenga el botón del código de programar (en la caja de control) por 10 segundos o hasta que el LED indicador rojo parpadeando se apague.
- Programe los controles remotos nuevos o restantes como hizo previamente. Su operador de puertas ya no reconocerá ninguna señal recibida de un control remoto que falte, o de cualquier otro que no haya sido re-programado.

FUERZA DE LEVANTAR / BAJAR

1. Girando en sentido dextrorso el Control de fuerza de bajar, la fuerza de **BAJAR** se puede aumentar. Girando en sentido sinistrorso el control de fuerza de bajar, la fuerza de **BAJAR** se puede disminuir. Fije el nivel de fuerza de **BAJAR** a la fuerza mínima necesaria para cerrar la puerta sin invertir el recorrido.
2. Una vez que se haya seleccionado el nivel deseado, este nivel de la fuerza necesario se guarda en la memoria para la dirección de **BAJAR**.
3. Girando en sentido dextrorso el control de fuerza de **LEVANTAR** se puede aumentar. Girando en sentido sinistrorso el control de fuerza de **LEVANTAR**, la fuerza de **LEVANTAR** se puede disminuir. Fije el nivel de la fuerza de **LEVANTAR** al nivel de fuerza mínima necesaria para abrir la puerta sin parar.
4. Una vez que se haya seleccionado el nivel de fuerza deseado, este nivel de la necesario fuerza se guarda en la memoria para la dirección de **LEVANTAR**.

Los ajustes de fuerza y fijaciones de interruptores limitadores SE DEBEN COMPLETAR antes de la prueba.

1. Prueba.
 - Abra la puerta del garaje usando el control de pared.
 - Ponga un larguero de 2" x 4" (de plano) debajo del centro del vano de la puerta (**Fig. 6-6**).
 - Cierre la puerta usando el control de pared.
 - Cuando la puerta toque el larguero, debe pararse e invertir su recorrido (dentro de 2 segundos) a la posición abierta.
2. Ajuste.
 - Si la puerta no invierte su recorrido correctamente.
 - Verifique para ver si la puerta tiene programado el límite de "cerrar." No debe haber alcanzado el límite de "cerrar" antes de tocar el larguero.
 - Si la puerta se **PARA** pero no regresa, disminuya ligeramente el control de la "FUERZA DE CERRAR" (girando en sentido sinistrorso).
 - Pruebe otra vez. Repita cuanto sea necesario hasta reveses de la puerta sobre entrar en contacto con el tablero.

PRUEBA DE CONTACTO INVERSO

1. Girando en sentido dextrorso el Control de fuerza de bajar, la fuerza de **BAJAR** se puede aumentar. Girando en sentido sinistrorso el control de fuerza de bajar, la fuerza de **BAJAR** se puede disminuir. Fije el nivel de la fuerza de **LEVANTAR** en sentido sinistrorso el control de fuerza de **LEVANTAR**, la fuerza de **LEVANTAR** se puede disminuir. Fije el nivel de la fuerza de **LEVANTAR** al nivel de fuerza mínima necesaria para abrir la puerta sin parar.
4. Una vez que se haya seleccionado el nivel de fuerza deseado, este nivel de la necesario fuerza se guarda en la memoria para la dirección de **LEVANTAR**.

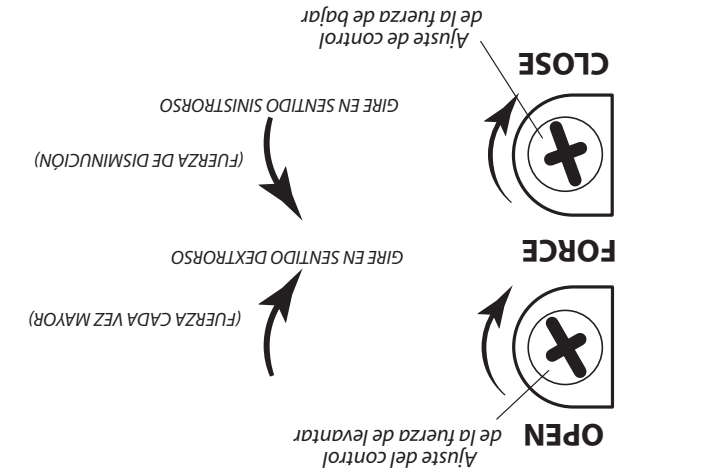


FIG. 6-5 Ajuste de la fuerza de control

ABRIR/ CERRAR BORRAR/REAJUSTE – LÍMITE DEL RECORRIDO DE

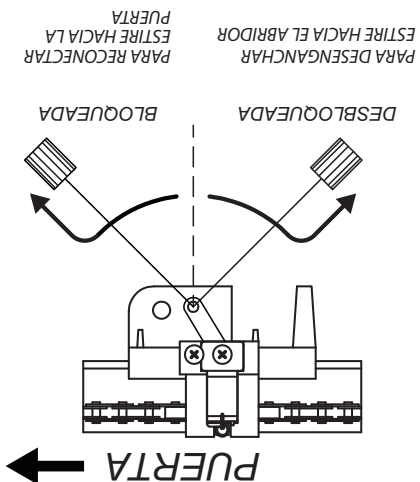
1. Oprima y sostenga ambos botones de "FIJAR" (y) juntos hasta que la luz indicadora verde parpadee (unos 5 segundos).
2. Todos los límites fijados de los recorridos de abrir y cerrar están borrados. Luego siga los pasos reprogramar los límites de recorrido de abrir y cerrar.

NOTA: El operador no cerrará la puerta automáticamente a menos que el sistema del Safe-T-Beam® esté instalado.



FIG. 6-6 2 x 4 debajo del centro del vano de la puerta.

FIG. 6-3 Engranar/ Desengranar bloqueo del corredizo



El bloqueo del corredizo se puede enganchar o desenganchar manualmente

- Para desenganchar el bloqueo del corredizo. – Estire la manija hacia abajo el abridor.
- Para enganchar el bloqueo del corredizo. – Estire la manija hacia la puerta

BLOQUEO DEL CORREDIZO

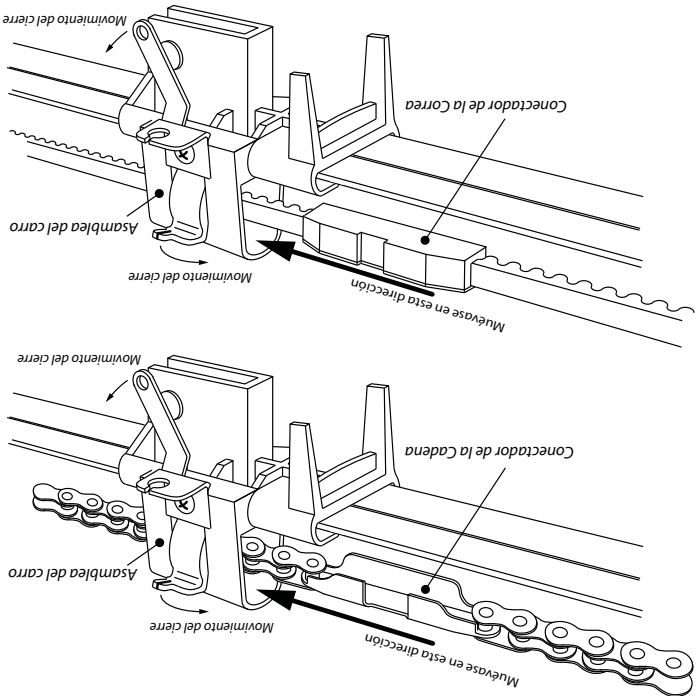
1. Oprima y sostenga el botón del "Limite del recorrido de abrir" para mover la puerta a su posición totalmente abierta. Esto comienza el abridor moviendo en la dirección de LEVANTAR.
2. Sostenga el botón del "Limite del recorrido de abrir" hasta que la puerta esté en la posición totalmente abierta que usted desee, luego suelte este botón.
3. Puede oprimir rápidamente y soltar el botón del "Limite del recorrido de abrir" para mover la puerta en pequeños incrementos. También puede usar el botón del "Limite del recorrido de cerrar" para mover la puerta ligeramente en la dirección de BAJAR.
4. Una vez que la puerta esté en la posición deseada, oprima y suelte el botón de "Limite de abrir." La luz indicadora LED parpadeará verde dos veces. Esto guarda la posición abierta en la memoria.

1. Presione y sostenga el botón "Limite del recorrido de cerrar" hasta que la puerta es completamente cerrada.
2. Usted puede presionar y lanzar rápidamente el botón "Limite del recorrido de cerrar" para mover la puerta en incrementos pequeños. Usted puede también utilizar "Lite del corrido de abrir" para mover la puerta vemente en la dirección ASCENDENTE.
3. La puerta es completamente cerrada cuando el borde inferior de la puerta presiona firmemente sobre la tierra.
4. Una vez que la puerta esté en la posición deseada, presione y lance el botón "Limite del recorrido de cerrar." La luz de indicador del LED centelleo verde una vez. Esto almacena la posición cerrada en memoria.

B) LIMITE DEL RECORRIDO DE CERRAR

C) LIMITE DEL RECORRIDO DE ABRIR

FIG. 6-2 Engrana la cadena/correa al corredizo



PRECAUCIÓN

La operación de abrelatas sin el conector de la cadena o de la correa dedicado a la asamblea del carro dará lugar a los componentes del carril incluyendo la polea del carril.

- Asegúrese de que ninguna parte de la puerta o herrajes estén en la trayectoria entre las lentes de la fuente y el detector.
- Asegúrese de que los topes de las lentes estén entre 5" y 6" arriba del piso (Fig. 5-4).
- Los soportes son flexibles y se pueden ajustar ligeramente si es necesario.
- Ajuste el transmisor con LED rojo apuntando la unidad directamente al receptor con LED verde. Use el tornillo de ajuste localizado en el tope de la cubierta del transmisor para hacer ajustes.
- El transmisor con LED rojo parpadeará si hay una mala alineación. Cuando las unidades LED estén alineadas, el LED rojo permanecerá ENCENDIDO continuamente.
- Después de terminar la alineación apriete los tornillos de ajuste en ambos detectores.

6 LÍMITES DE LA PUERTA

ADVERTENCIA

- Lesiones graves o la muerte pueden resultar si la fuerza de cerrar la puerta se fija demasiado alta.
- Nunca aumente la fuerza de cerrar la puerta arriba del mínimo necesario para mover la puerta.
- Nunca ajuste la fuerza para compensar un roce o traba de la puerta.
- Una vez por mes haga una PRUEBA DE CONTACTO INVERSO como se describe en la página siguiente de la Sección 10.

FIJAR Y PROBAR LOS LÍMITES DE ABRIR/CERRAR

Las posiciones de ABRIR (LEVANTAR) y CERRAR (BAJAR) están controladas haciendo los ajustes en el panel localizado en la parte inferior de la caja de control. Los ajustes que se pueden hacer son:

- Límite del recorrido de cerrar,
- Ajuste fuerza de cerrar
- Ajuste fuerza de abrir, y
- Programación del transmisor

A) ENGAGE CHAIN/BELT CONNECTOR TO CARRIAGE

1. Oprima y sostenga el botón del "Límite del recorrido de cerrar" hasta que la cadena avance y engrane en el corredizo (FIG 6-2).

La falta de verificar el contrato de la correa/del conector de cadena dará lugar a daño a los componentes del carril.

PRECAUCIÓN

La falta de verificar el contrato de la correa/del conector de cadena dará lugar a daño a los componentes del carril.

FUNCIÓN DE PROTECCIÓN INFRARROJA

1. Cuando la puerta del garaje se esté abriendo, su movimiento no estará influenciado si el haz luminoso de seguridad (Safe-T-Beam®) está obstruido.
2. Si se obstruye el Safe-T-Beam® antes de que la puerta del garaje se cierre completamente, la puerta no se cerrará.
3. Cuando la puerta del garaje está cerrando, si el Safe-T-Beam® está cortado por personas o un obstáculo, la puerta del garaje automáticamente invertirá el recorrido a la posición totalmente abierta. (Mientras tanto la luz del abridor seguirá parpadearando hasta que la puerta se mueva a la posición toda abierta.)
4. Si el sistema del Safe-T-Beam® falla, pierde corriente o está instalado incorrectamente, usted deberá oprimir y sostener el botón de control de pared "abierto/cerrar" hasta que la puerta alcance la posición toda cerrada. La luz indicadora LED en la caja de control estará verde y parpadeará dos veces (Patrón:  pausa  pausa) para informar que primero elimine el problema. De lo contrario, la puerta automáticamente invertirá el recorrido a la posición totalmente abierta si usted suelta el botón de "abierto/cerrar" en el control de pared durante el movimiento de cerrar.

NOTA: Límite del recorrido del cierre del sistema antes de que establezca el límite abierto del recorrido para que unidad funcione normalmente. A menos que se estén reajustando los límites **no presione** determinado limitan los botones.



El límite controla la ubicación en la cabeza del poder

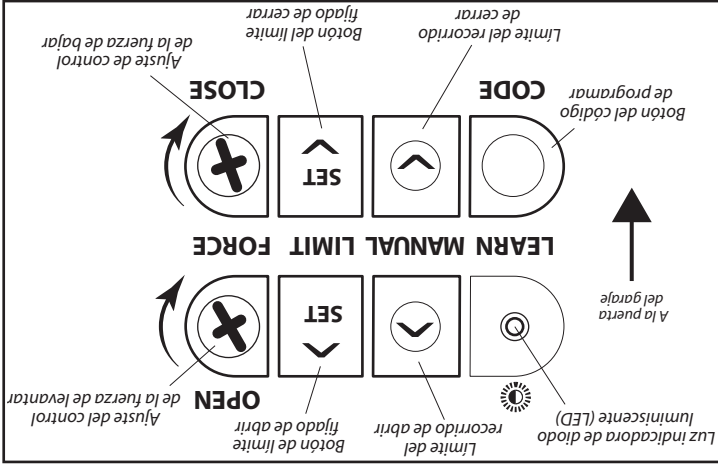


FIG. 6-1 Controles de límites

ADVERTENCIA

- Para reducir el riesgo de choques eléctricos este equipo tiene un enchufe a tierra que incluye una tercera espiga (a tierra). Este enchufe sólo conecta en un tomacorriente con conexión a tierra. Si no tiene un tomacorriente con conexión a tierra, comuníquese con un electricista licenciado competente para instalar uno. NO altere el enchufe de ningún modo. El operador de puertas debe estar conectado a las personas y daños a los componentes
- **NO** quite la tapa del motor. Todo el trabajo realizado en el motor debe hacerlo un técnico de servicio profesional capacitado.

PRECAUCIÓN

- **Verifique los códigos de construcción locales** para asegurarse de que no requiere que su operador de puertas de garaje esté alambrado permanentemente, con protección de interruptor automático. Si los códigos de edificación exigen que el operador esté alambrado permanentemente, mande hacer la conexión del alambrado permanente con un electricista licenciado competente.

CON ENCHUFE A TIERRA:

Conecte el operador en un tomacorriente eléctrico con buena conexión a tierra (Fig. 5-1).

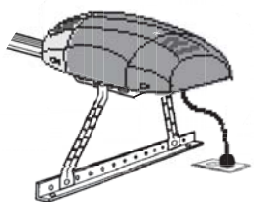
CON ALAMBRADO PERMANENTE:

Instrucciones para el electricista - SOLAMENTE.

- Apague la energía eléctrica del circuito.
- Quite la tapa posterior y la tapa del motor.
- Quite los 4 tornillos de la tapa del motor (Fig. 5-2).
- Quite el cordón eléctrico existente y la protección contra tirones del agujero de 7/8" de diámetro y deséchelo (Fig. 5-3).
- Conecte el alambrado permanente a la caja de control usando el agujero de 7/8" de diámetro. **Blanco al blanco/negro al negro/tierra al verde.**
- Use sólo tuercas para alambrado reconocidas por UL.
- Los alambres dentro de la caja de control deben tener por lo menos 6" de longitud.
- Vuelva a instalar la tapa del motor y la tapa posterior y vuelva a energizar el circuito.

NOTA: Overhead Door Corporation no es responsable de los cambios resultantes del trabajo realizado por un electricista independiente.

FIG. 5-1 Conecte la energía eléctrica



Tornillos de la tapa del motor

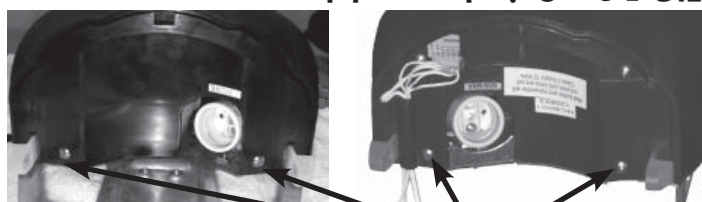
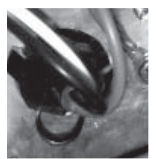


FIG. 5-2 Quite la tapa del motor. ¡Electricista SOLAMENTE!

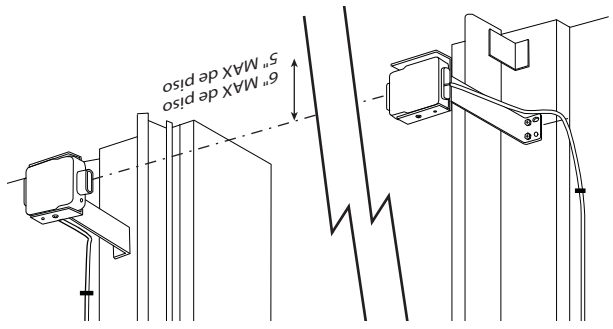
FIG. 5-3 Protección contra tirones del cable eléctrico



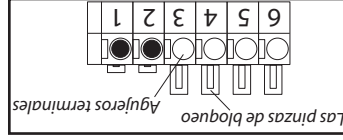
PRECAUCIÓN

- NO use un cordón de extensión.
- NO use un generador portátil. Este producto está diseñado para que funcione usando corriente eléctrica doméstica.
- NO use suministros de energía alternos.

FIG. 5-4 Verifique la alineación del Safe-T-Beam®



- 3a. Alambrado (Si NO está pre-alambrado)**
- Corra el alambre de los detectores del Safe-T-Beam® a la caja de control usando el método que se muestra (Fig. 4-5a).
 - Sujete en forma segura los alambres a la pared y al cielo raso a medida que avanza (Fig. 4-6 en la página siguiente).
 - Use grapas con aislamiento.
 - Las grapas deben ajustarse sólo ajustadas.
- 3b. Alambrado (pre-alambrado).**
- Corra el alambre de la pared a los detectores del Safe-T-Beam® (Fig. 4-5b).
 - Empalme el pre-alambrado para acortar el alambre del detector, haciendo coincidir los pares de alambre raya con raya y liso con liso.
 - Recorte el alambre del detector aproximadamente 1 pie (1 pie) del detector.
 - Parta y pele los extremos de los alambres del detector y alambres pre-alambrados (Fig. 4-7).
 - Empalme los alambres juntos con las tuercas para alambre (provisas).
 - Corra el alambre del cielo raso a la caja de control (Fig. 4-5b).
 - Sujete seguros los alambres donde salen de la pared y cielo raso a medida que avanza.
 - Use grapas con aislamiento.
 - Las grapas deben estar sólo ajustadas.
- 4. Parta y pele los extremos de los alambres del detector (Fig. 4-7).**
- NOTA: Para la tapa posterior localice la Bolsa 4.**
- 5. Acople el alambre del Safe-T-Beam® al alambre terminal de la caja de control.**
- Route Safe-T-Beam® wires through wire guide.
 - Inserte el alambre en los agujeros terminales y oprima ligeramente en las pinzas de bloqueo anaranjadas arriba de cada agujero terminal. (Usted puede usar un lápiz o destornillador pequeño para alcanzar cómodamente y apretar ligeramente hacia abajo las pinzas de bloqueo.) Inserte los alambres blancos en los agujeros terminales pares y los alambres estríados en los agujeros terminales 'nones' (Fig. 4-8).



NOTE: Se debe verificar la alineación del Safe-T-Beam® antes de realizar la conexión al suministro eléctrico (vea la página 18). NO ENCHUFE TODAVIA!

- Confirme la traba del alambre tirando ligeramente del alambre. El alambre debe quedar en el agujero del terminal.
- No instale la tapa (lámpara) blanca en este momento.

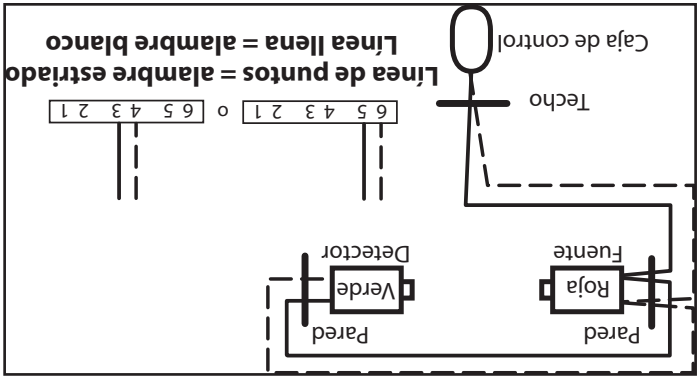


FIG. 4-5b Métodos del detector y fuente pre-alambrados

Las grapas que estén demasiado apretadas pueden cortar lo pinchar los alambres. Los alambres cortados o punchados pueden hacer que el sistema del Safe-T-Beam® deje de funcionar. Cuando use grapas con aislamiento, asegúrese de ajustarlas sólo lo necesario para sostener bien el alambre

PRECAUCIÓN

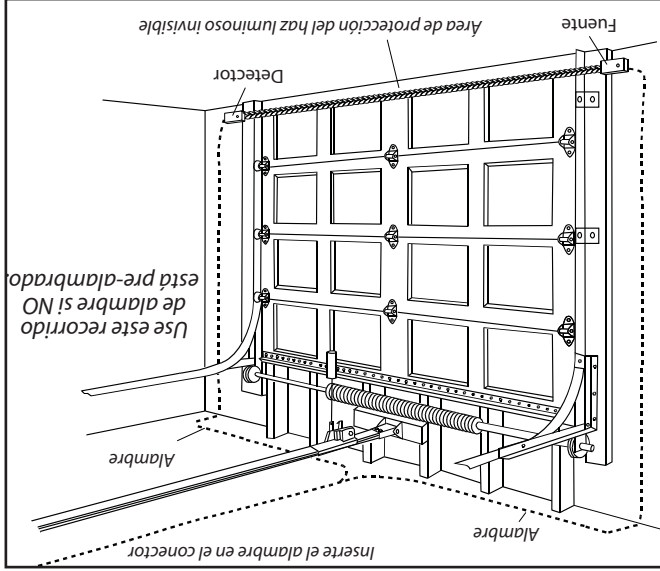


FIG. 4-6 Recorrido del alambre

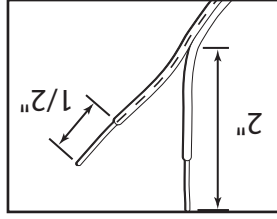


FIG. 4-7 Partiendo y pelando

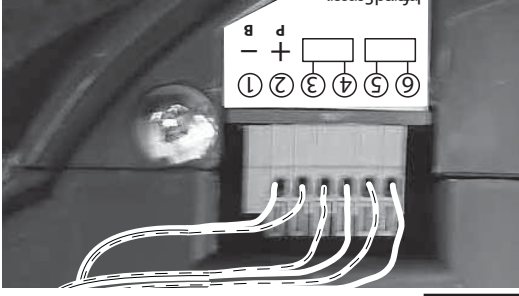


FIG. 4-8 Inserte los alambres (Caja de control con la tapa posterior no e muestra)

ADVERTENCIA

No debe haber alimentación eléctrica al operador mientras se instalan los alambres del haz luminoso de seguridad (Safe-T-Beam®). Si usted conectó el cordón eléctrico — DESCONECTELO AHORAI

NOTA: El operador no cerrará automáticamente la puerta a menos que esté instalado el sistema del Safe-T-Beam®.

NOTA: Para detectores, tornillos, alambre y grapas con aislamiento localice los artículos en la Bolsa 8 de la Caja 3.

1. Soportes de montaje

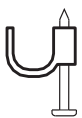
- Marque ambos lados del bastidor o de la pared de puerta del garaje en una altura no más arriba que 6" y no más bajo que 5" sobre piso (Fig. 4-1).
- Sostenga el soporte contra el marco de la puerta o pared.
- Verifique si los soportes sobresalen fuera de la pared lo suficiente para que la lengüeta del soporte esté más allá de la puerta, carriles y otros herrajes.
- Si no es así:
- a) Las extensiones de montaje de soporte se ofrecen a través de un agente autorizado de Overhead Door
- b) Bloques de madera, etc. se pueden substituir para extensiones.
- Establezca la tapa del soporte en su marca (Fig. 4-2).
- Apriete cada uno con 2 tornillos (Fig. 4-2).

2. Montaje de la fuente del Safe-T-Beam® (diodo luminiscente (LED) rojo) y del detector (LED Verde)

- Si el garaje es un garaje de una sola puerta.
- Determine cuál lado del garaje recibe más luz solar directa (Fig. 4-4).
- El LED rojo siempre debe estar en el lado aislado, siempre que sea posible (Fig. 4-4).
- Para puertas múltiples.
- Impedir las señales cruzadas es crítico.
- Ponga los módulos de la fuente y detector en las puertas adyacentes mirando en direcciones opuestas (Fig. 4-4).

NOTA: Las consolas de montaje se pueden atar al piso o al borde concreto usando las anclas concretas (no proporcionadas).

- Resbale la fuente/detector en la lengüeta del soporte hasta que haga clic en el lugar de aislamiento



4 INSTALACIÓN DEL SISTEMA DEL SAFE-T-BEAM®



FIG. 4-1 Marque el marco de la puerta



FIG. 4-2 Soportes de montaje

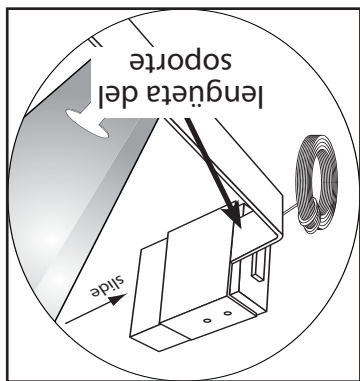


FIG. 4-3 Acople los detectores a los soportes

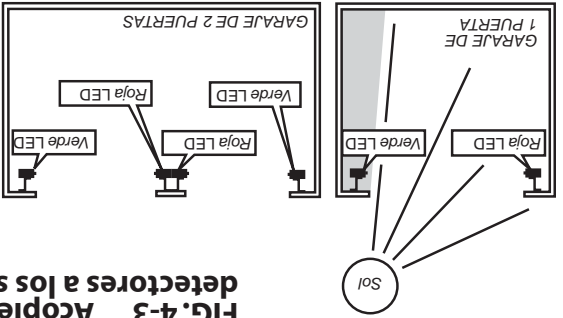


FIG. 4-4 Lugares del detector y fuente del Safe-T-Beam®

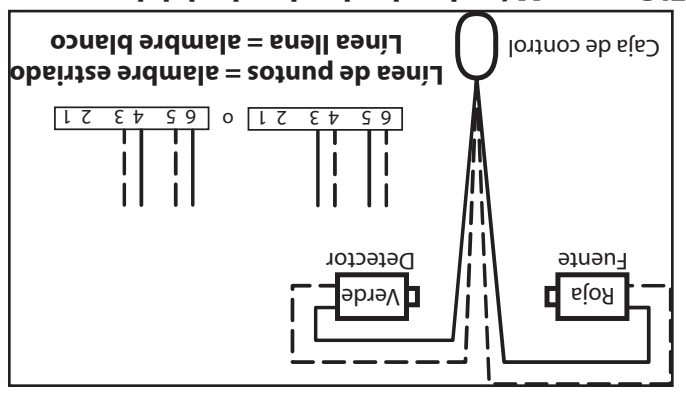


FIG. 4-5a Métodos de alambrado del detector y fuente

FIG. 3-6 Control de pared

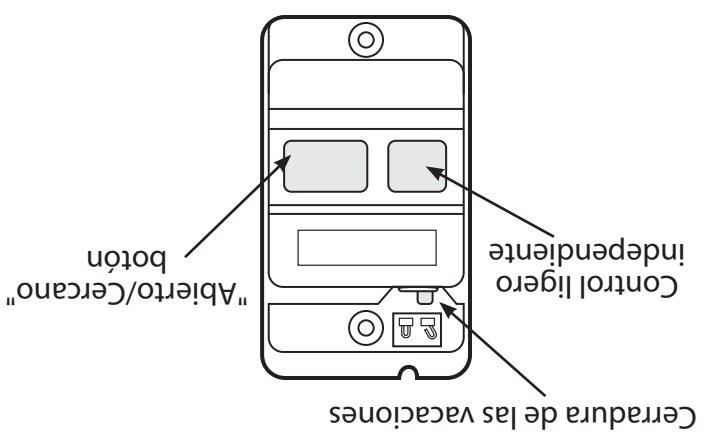
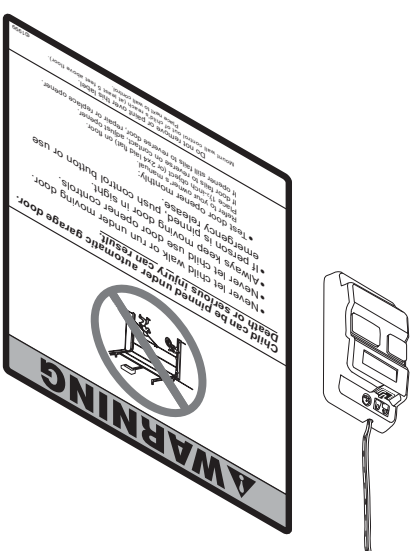
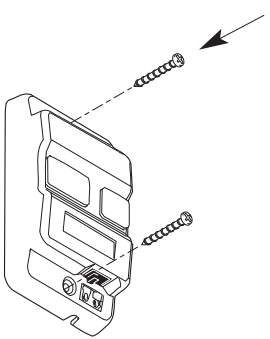


FIG. 3-5 Montaje de la etiqueta de advertencia de Atrapamiento



4. **Montaje.**
 - Sujete el control de pared a la pared con 2 tornillos (provistos) (Fig. 3-4).
 - Quite la forro protector de la etiqueta de advertencia de "Atrapamiento" (Fig. 3-5). Esta etiqueta está localizada en el centro de este manual.
 - Pegue la etiqueta en la pared cerca del control de pared.

FIG. 3-4 Montaje del control de pared



• NO instale todavía la tapa posterior!

- quedar en el agujero terminal.
- ligeramente del alambre. El alambre debe
- Confirme la traba del alambre tirando agujero terminal #2.
- agujero terminal #1 y el alambre rayado en el
- pinzas de bloque.) El alambre blanco en el
- pequeño para apretar cómodamente en las
- terminal. (Puede usar un lápiz o destornillador
- bloqueo anaranjadas arriba de cada agujero
- y oprima ligeramente en las pinzas de
- Inserte el alambre en los agujeros terminales
- (Fig. 3-2 en la página anterior).
- Parta y pele los extremos de alambres
- través de la guía de alambre.
- Alambres del control de pared de la ruta a
- En la caja de control.
- control, quítela.
- Si está acoplada la tapa posterior a la caja de
- Las grapas se deben apretar bien ajustadas.
- Use las grapas con aislamiento.
- aislamiento provistas.
- y a la pared usando las grapas con
- **Sujete bien los alambres**



Grapa con aislamiento

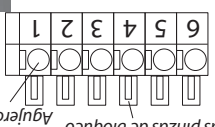
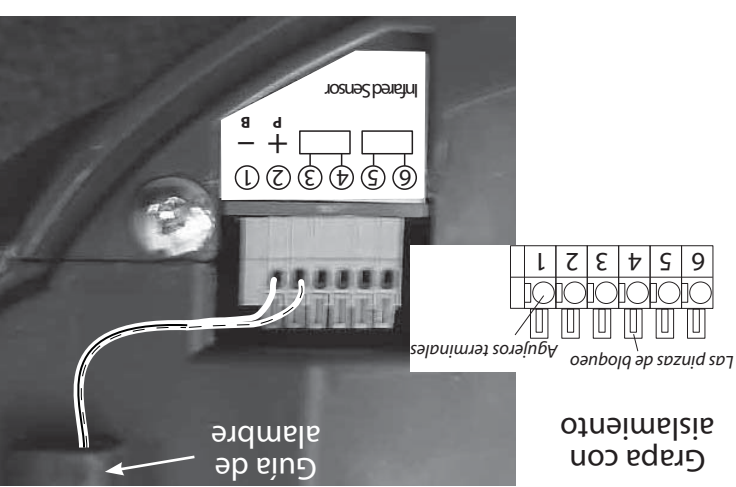


FIG. 3-3 Inserte los alambres

(Caja de control con la tapa posterior no se muestra)



ADVERTENCIA
 Verifique que el operador NO esté energizado antes de instalar los alambres de control de pared y el control de pared.

PRECAUCIÓN
 Las grapas que estén muy apretadas pueden cortar o pinchar los alambres. Los alambres cortados o pinchados pueden hacer que el control de pared deje de funcionar. Cuando use grapas con aislamiento, asegúrese de apretarlas sólo lo necesario para sostener el alambre ajustado.

ADVERTENCIA
 El uso de cualquier otro control de pared puede hacer que la puerta deje de funcionar inesperadamente y que la luz no funcione. Use solamente el control de pared que se incluye.

NOTA: El control de pared no funcionará hasta que se establezcan los límites..

NOTA: Para el control de pared, alambres y grapas con aislamiento localice las Bolsas 6 y 7 de la Caja 2.

1. Lugar del control de pared.

- El lugar del control de pared debe estar en la visual directa de la puerta.
- Debe estar por lo menos 5 pies (5') arriba del piso para impedir que los niños pequeños hagan funcionar la puerta.
- Debe estar alejado de cualquier pieza móvil. (NO debe ser posible alcanzar la puerta del garaje estando en el control de pared.)
- Las conexiones de tornillo del tablero de control de pared están polarizadas, (+) positiva and (-) negativa.

- 2a. Alambrado (Si está pre-alambrado).**
- Localice los extremos de alambres pre-alambrados del control de pared (Fig. 3-1).
 - Estos se deben localizar dentro de las directivas mencionadas arriba.)
 - Parta y pele los extremos de alambres (Fig. 3-2).
 - Sujete el alambre a los tornillos del tablero de control encendido detrás del botón del control de pared.
 - Alambre rayado al terminal + (positivo).
 - Alambre blanco al terminal - (negativo).

- 2b. Alambrado (Si NO está pre-alambrado).**
- Escija una localización conveniente para el control de pared del montaje usando las patas mencionadas anteriormente (Fig. 3-1).
 - Corra el alambre del control a la caja de control (Fig. 3-1).
 - Parta y pele los extremos de alambres (Fig. 3-2).
 - Sujete el alambre a los tornillos del tablero de control encendido detrás del botón del control de pared.
 - Alambre rayado al terminal + (positivo).
 - Alambre blanco al terminal - (negativo).

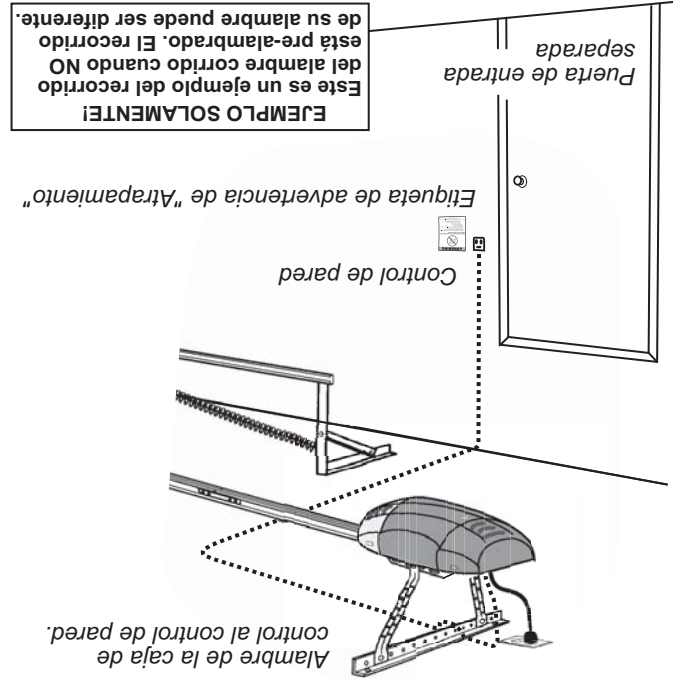


FIG. 3-1 Recorrido de alambre del control de pared

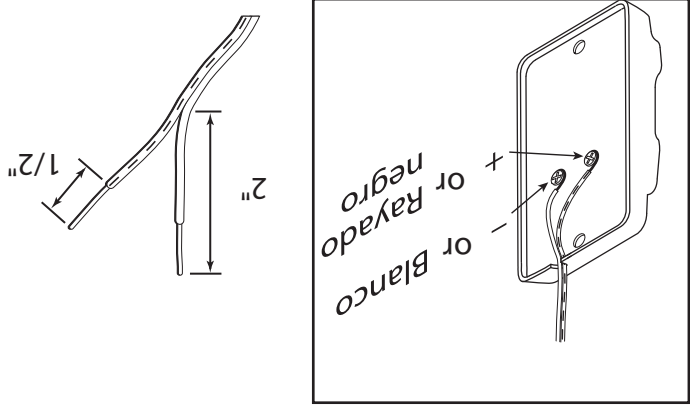


FIG. 3-2 Partiendo y pelando

SOPORTE DE LA PUERTA

PRECAUCIÓN

Las puertas fabricadas de masonita, madera ligera, fibra de vidrio y chapa metálica se deben arriostar correctamente antes de hacer funcionar el operador. Comuníquese con el fabricante de la puerta o distribuidor para obtener un kit de ríostros. La Compañía no es responsable por daños causados por una puerta arriostada incorrectamente.

NOTE: Para el soporte de la puerta y pernos, localice la Bolsa 4 de la Caja 2.

1. Encuentre el lugar de montaje del soporte de la puerta.

- El soporte de la puerta está montado en la puerta tan alto como sea posible a lo largo de la línea central vertical y **NO MÁS BAJO** que el juego de rodillos superior (Fig. 2-7).

2. Montaje del soporte de la puerta.

- Las ríostros correctas deben verificarse ahora.
 - Alinee el soporte de la puerta centrado en su línea central vertical (Fig. 2-8).
 - Acople usando 3 tornillos de perforación para chapa metálica u otro material de peso ligero. Use pijas (no se proveen) para puertas en secciones de madera sólida.

NOTA: Para puertas de madera sólida, pernos de carruaje SIN CABEZAS RANURADAS (no se incluyen) también se pueden usar para acoplar el soporte de la puerta.

INSTALE LOS BRAZOS DE LA PUERTA

NOTA: Para los brazos de la puerta, tuercas y pernos, pasador de horquilla y chavetas de 2 patas localice la Bolsa 5 de la Caja 2.

- 1. Acople los brazos.**
 - Sujete la derivación corta del brazo curvo de la puerta al soporte de la puerta con el perno y la tuerca de cierre (Fig. 2-9).
 - Sujete el brazo recto al corredizo usando el pasador de horquilla y pasador de 2 patas (Fig. 2-9).

2. Conectando los brazos.

- Resbale el corredizo atrás y adelante para ajustar el largo del brazo.
 - Posicione el brazo recto 50° hacia abajo de la baranda.
- Con los brazos dispuestos en esta posición, sujete los brazos juntos usando pernos y tuercas tan espaciados como sea posible (Fig. 2-9)

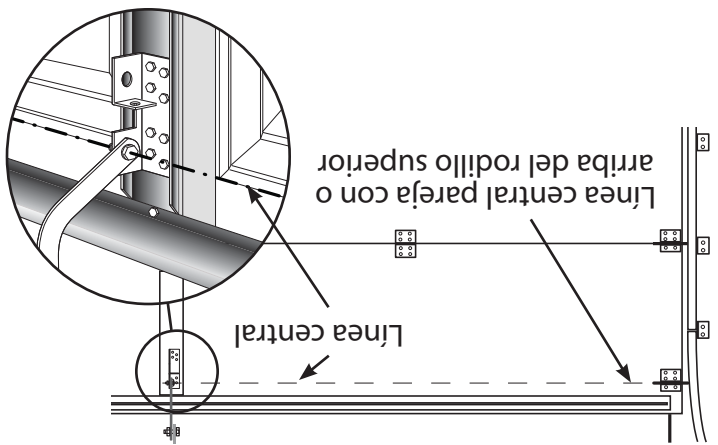


FIG. 2-7 Montaje del soporte de la puerta

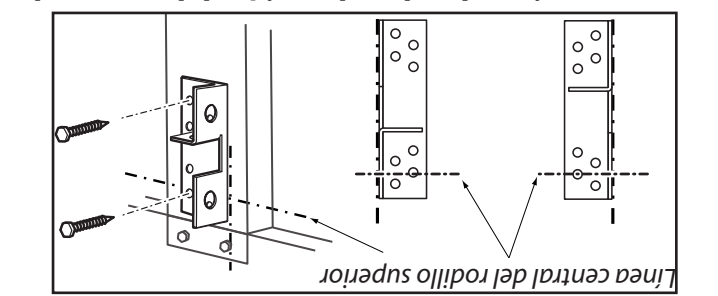


FIG. 2-8 Ejemplos de colocación del soporte de la puerta

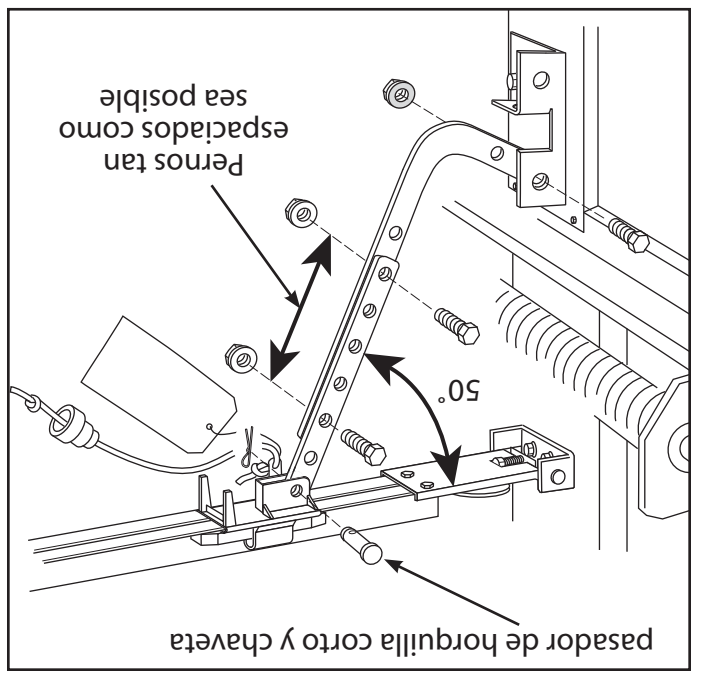


FIG. 2-9 Acopiando los brazos de la puerta

1. **Cómo empezar.**
 - Coloque el riel montado en la pared próximo al soporte del travesaño (Fig. 2-4).
 - Coloque el material en el piso debajo de la caja de control para proteger contra rasguños.
 - (Una caja, taburete o dispositivo similar se puede necesitar para quitar un resorte de torsión.)

NOTA: Para pasadores del soporte del travesaño localice la Bolsa 2 de la Caja 1.

2. Montaje del conjunto.

- Acople el riel al soporte del travesaño usando el pasador de horquilla y la chaveta de 2 patas.
- Soporte la caja de control en la escalera de tijera para impedir la interferencia con el resorte montado en el travesaño (Fig. 2-5).

NOTA: Antes del acople final al cielo raso, asegúrese de que el conjunto esté bien alineado (Fig. 2-4).

NOTA: Para las abrazaderas de montaje localice la Bolsa 4. Para tuercas, pernos y pijas, localice la Bolsa 3 de la Caja 1.

- En cielo rasos terminados, localice las viguetas o vigas de celosía usando un buscador de montantes o dispositivo similar. Acople el ángulo de hierro (no provisto) a las viguetas o vigas de celosía a través del material usando los pijas (provistas) (Fig. 2-6).
- En cielo rasos no terminados o abiertos, las abrazaderas se deben acoplar directamente a las viguetas o vigas de celosía. Dependiendo de la construcción del garaje, es posible que se requiera material adicional de montura (no provisto), el cual debe ser instalado de acuerdo a las técnicas de construcción apropiadas (Fig. 2-6).

NOTA: Refiera a sus códigos técnicos de la edificación locales para los materiales y las técnicas apropiados de la construcción que enmarcan.

- Acople las abrazaderas de montaje al cielo raso usando los pijas (Fig. 2-6).

- Ponga la caja de control a lo siguiente (Fig. 2-6).
 - a) El riel debe pasar la puerta en el punto más alto del recorrido de la puerta.
 - b) Estar a nivel o la caja de control ligeramente debajo del nivel.
- Apriete bien los pernos y tuercas de montaje de la caja de control.
- Cuidadosamente subir y bajar la puerta manualmente. Garantizar la puerta no se pone en contacto de cualquier sección de caja de control o riel.
- Verifique que los pernos y tuercas de la abrazadera del riel estén apretados.

SOPORTE DEL TRAVESAÑO

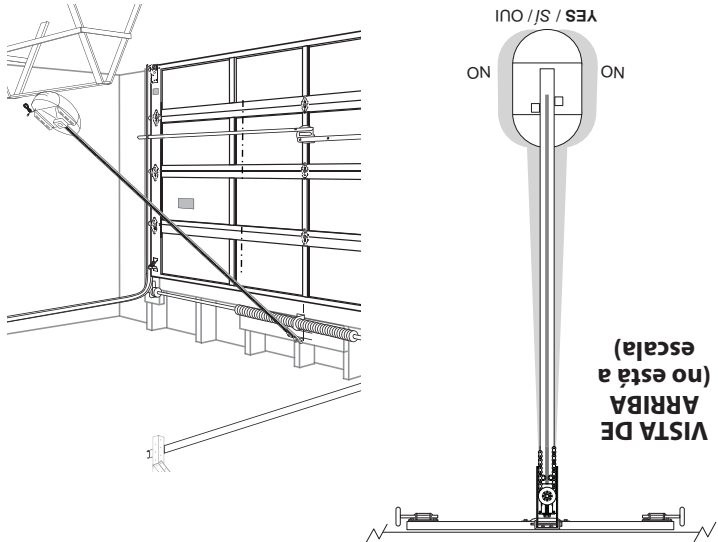


FIG. 2-4 Coloque el conjunto y alinee

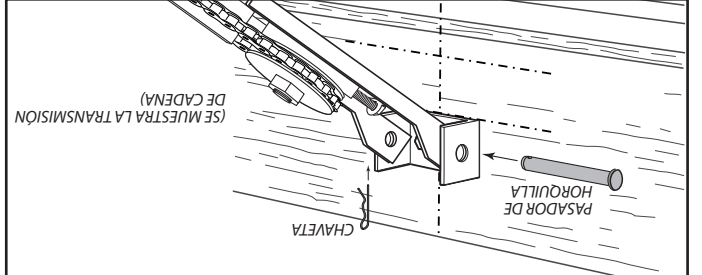
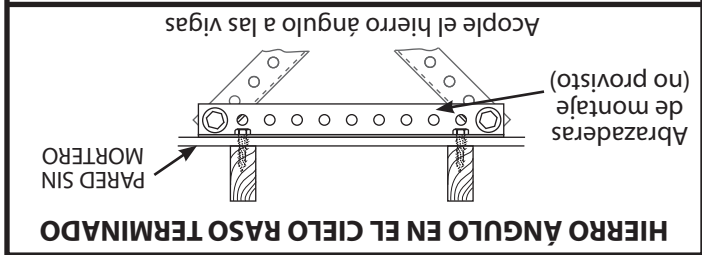


FIG. 2-5 Montaje de riel al soporte del travesaño



HIERRO ÁNGULO EN EL CIELO RASO TERMINADO

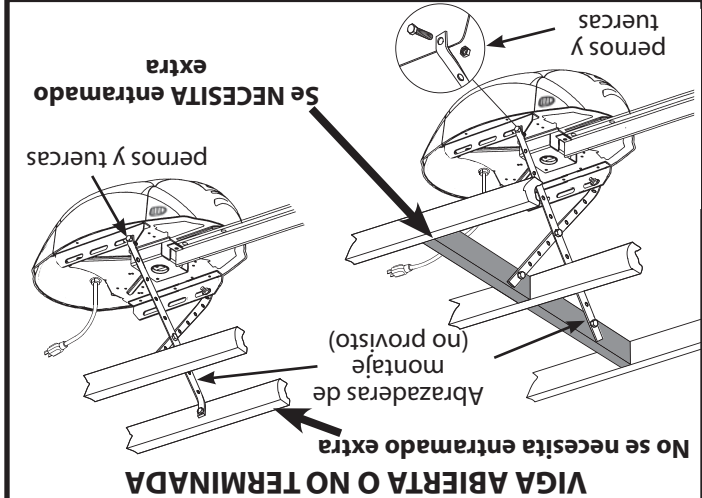


FIG. 2-6 Montaje de la caja de control

SOPORTES DE MONTAJE DE LA PUERTA Y DEL TRAVESANO:

ADVERTENCIA

El soporte del travesaño se debe sujetar al entramado del garaje. **NO** sujete a una pared sin mortero, de madera amalgamada, de revoque u otros materiales similares.

1. Encuentre el lugar de montar el soporte del travesaño.

- Cierre la puerta del garaje.
- Use un lápiz y nivel.

a) Marque el centro de la puerta del garaje (la mitad del ancho total) en la pared con una línea vertical de 6" en el tope del borde de la puerta.

b) Continúe esta línea en la pared arriba de la puerta unas 12" (Fig. 2-1, a).

• Levante la puerta del garaje hasta que el **borde superior** alcance la altura máxima (Fig. 2-2).

• Con la puerta en el punto más alto.

– Mida la altura del borde superior de la puerta al piso (Fig. 2-2).

• Cierre la puerta otra vez.

• Marque la altura medida en la pared arriba de la puerta (Fig. 2-1, c).

– Haga su marca a través de la línea vertical marcada anteriormente.

• Sume 2-1/2" a la altura marcada recién hecha en la pared. Este es el lugar para el soporte del travesaño (Fig. 2-1, d).

ADVERTENCIA

Los resortes de puerta están a alta tensión. Si el resorte o su eje está en el camino, mida 2-1/2" arriba del resorte o eje en la línea central de la puerta del garaje y marque esta altura como el lugar para el soporte del travesaño.

NO cambie el resorte de la puerta

2. Mounting the header bracket.

• Sostenga el soporte del travesaño contra la pared (Fig. 2-3).

• Coloque el soporte como se muestra.

– Ponga el borde izquierdo en la línea vertical.

– El borde inferior en la línea de altura final.

• Montar el soporte del travesaño contra la pared (Fig. 2-3).

• Coloque el soporte como se muestra.

– Ponga el borde izquierdo en la línea vertical.

– El borde inferior en la línea de altura final.

• Montar el soporte del travesaño contra la pared (Fig. 2-3).

• Coloque el soporte como se muestra.

– Ponga el borde izquierdo en la línea vertical.

– El borde inferior en la línea de altura final.

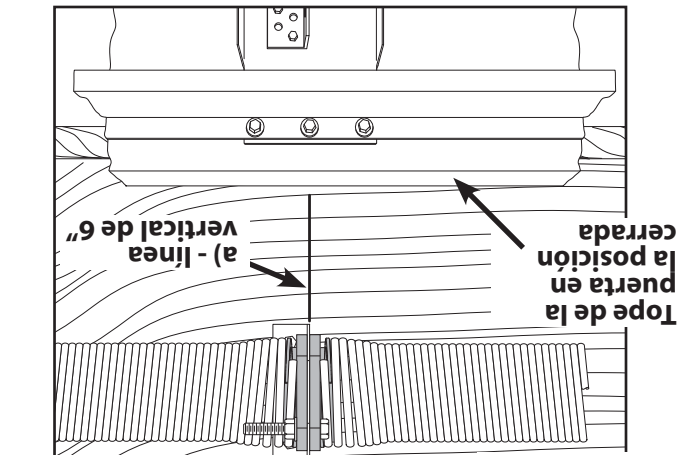
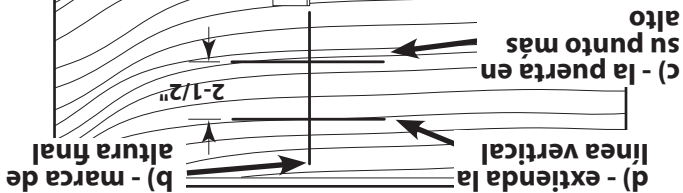


FIG. 2-1 Marca de altura final

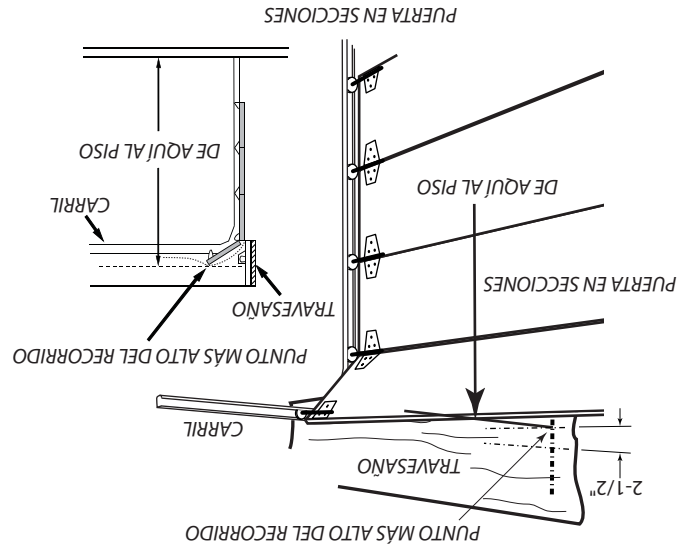


FIG. 2-2 Encontrando el punto más alto del recorrido

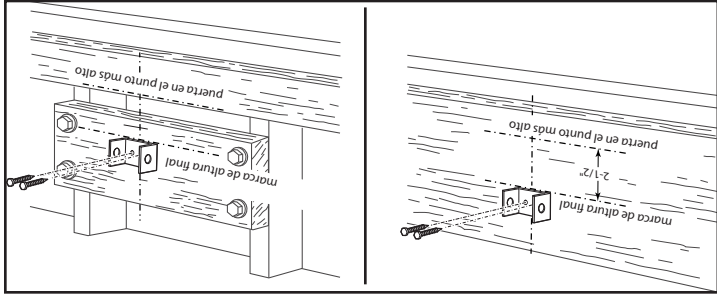


FIG. 2-3 Montaje del soporte del travesaño (en el travesaño y arriba del travesaño).

- Marque los lugares de agujero de tornillo en la pared.

- Perfore agujeros auxiliares de 3/16" en cada marca de agujero de tornillo.

- Sujete el soporte del travesaño con 2 pijas (provisos) (Fig. 2-3).

ENSAMBLADO PARA ABREPUERTAS CON TRANSMISIÓN DE CADENA

NOTE: Maneje cuidadosamente. La cadena motriz puede deslizarse fuera del riel.

NOTE: Para la caja de control y conjunto del riel localice la Bolsa 1 de la Caja 1.

NOTE: Registre el número de serie de la caja de control, en la página de garantía.

1. Acople el conjunto del riel a la caja de control alineando el piñón en el eje del motor. Use (3) pernos de 5/16"-18 x 1/2" (Fig. 1-2).

2. Apriete la cadena girando en sentido

dextrorso la tuerca de ajuste. La tuerca de ajuste de la cadena está localizada opuesta a la caja de control en el otro extremo del riel (Fig. 1-3).

3. Tense la cadena hasta que la cadena esté

aproximadamente 1/8 de pulgada encima de la base del riel en el punto medio del riel

(Fig. 1-3). NO apriete excesivamente la cadena.

PRECAUCIÓN

Usted debe haber quitado todas las cuerdas, y/o cables y deshabilitado ya la cerradura de la puerta. Si no lo hizo, quite todas las cuerdas y/o cables y deshabilite la cerradura de la puerta del garaje AHORA antes de proseguir con la instalación (Fig. 1-5).

Ponga a un costado la caja de control montada y el riel. Comience con la Sección 2 INSTALACIÓN.

SopORTE de polea para la correa (al extremo del riel)

Use un casquillo de 1/2" en la tuerca de ajuste

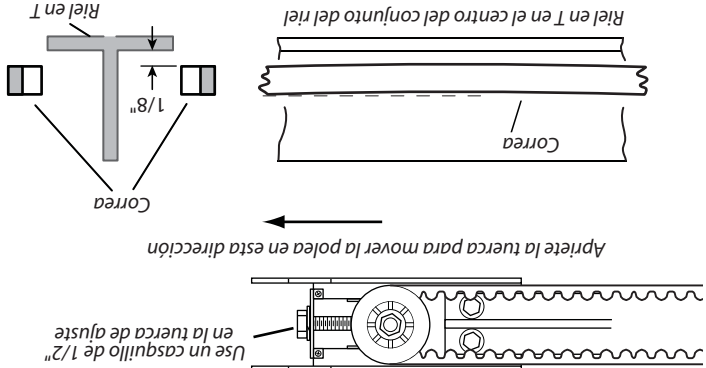


FIG. 1-4 Ajuste de la Correa.

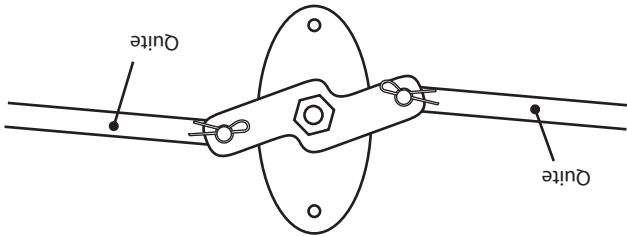


FIG. 1-5 Deshabilite el cerradura de la puerta del garaje.

Ponga a un costado la caja de control montada y el riel. Comience con la Sección 2 INSTALACIÓN.

PRECAUCIÓN

Usted debe haber quitado todas las cuerdas, y/o cables y deshabilitado ya la cerradura de la puerta. Si no lo hizo, quite todas las cuerdas y/o cables y deshabilite la cerradura de la puerta del garaje AHORA antes de proseguir con la instalación (Fig. 1-5).

(Fig. 1-4). No apriete la correa demasiado.

3. Apriete la correa hasta que esta esté

aproximadamente a 1/8 in (0,32 cm) arriba de la base del riel y en un punto medio del mismo

motor en el otro extremo del riel (Fig. 1-4). está localizada al lado opuesto de la caja de

hacia la derecha. La tuerca de ajuste de la correa

2. Apriete la correa girando la tuerca de ajuste

pernos de 5/16"-18 x 1/2" (Fig. 1-2).

1. Acople el conjunto del riel a la caja de control alineando el piñón en el eje del motor. Use (3)

aproximadamente a 1/8 in (0,32 cm) arriba de la base del riel en el punto medio del mismo

motor en el otro extremo del riel (Fig. 1-4).

2. Apriete la correa girando la tuerca de ajuste

pernos de 5/16"-18 x 1/2" (Fig. 1-2).

1. Acople el conjunto del riel a la caja de control alineando el piñón en el eje del motor. Use (3)

aproximadamente a 1/8 in (0,32 cm) arriba de la base del riel en el punto medio del mismo

motor en el otro extremo del riel (Fig. 1-4).

2. Apriete la correa girando la tuerca de ajuste

pernos de 5/16"-18 x 1/2" (Fig. 1-2).

1. Acople el conjunto del riel a la caja de control alineando el piñón en el eje del motor. Use (3)

aproximadamente a 1/8 in (0,32 cm) arriba de la base del riel en el punto medio del mismo

motor en el otro extremo del riel (Fig. 1-4).

2. Apriete la correa girando la tuerca de ajuste

pernos de 5/16"-18 x 1/2" (Fig. 1-2).

1. Acople el conjunto del riel a la caja de control alineando el piñón en el eje del motor. Use (3)

aproximadamente a 1/8 in (0,32 cm) arriba de la base del riel en el punto medio del mismo

motor en el otro extremo del riel (Fig. 1-4).

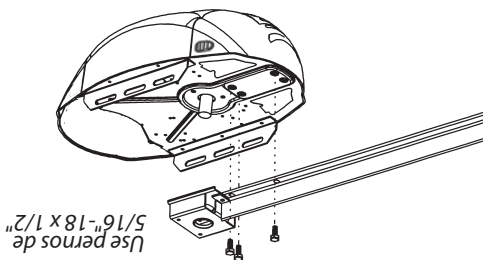


FIG. 1-2 Riel - Conjunto de la caja de control.

SopORTE de polea de la cadena (extremo del riel en la pared)

Use un casquillo de 1/2" en la tuerca de ajuste

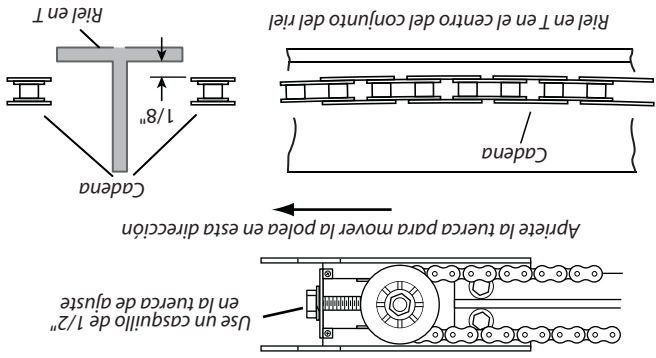


FIG. 1-3 Ajuste de la cadena.

ENSAMBLADO PARA ABREPUERTAS CON TRANSMISIÓN DE CORREA

INSTRUCCIONES DE INSTALACIÓN IMPORTANTES

ADVERTENCIA: Para reducir el riesgo de lesión grave o la muerte:

1. LEA Y SIGA TODAS LAS INSTRUCCIONES DE SEGURIDAD, INSTALACIÓN Y FUNCIONAMIENTO. (Si tiene alguna pregunta o no entiende la instrucción llame a la Overhead Door Corporation o un Agente autorizado de Overhead Door.)
2. Instale solamente en una puerta de garaje en **secciones** y equilibrada correctamente. Una puerta equilibrada incorrectamente puede causar lesiones graves. Mande hacer las reparaciones con un técnico de servicio profesionalmente capacitado, a los cables, conjunto de resortes y otros herrajes **antes** de instalar el operador.
3. Quite todas las cuerdas y quite o deshabilite todas las cerraduras conectadas de la puerta del garaje antes de la instalación del abridor.
4. Cuando sea posible, instale el abridor de puertas a 7 pies o más arriba del piso. Para productos que tengan un desenganche de emergencia, monte el desenganche de emergencia a 6 pies arriba del piso.

5. **NO conecte** el operador a la fuente de potencia hasta que se le instruya conectarlo.
6. Localice de control:
7. Instale la etiqueta de **ADVERTENCIA de atrapamiento** próxima al botón de control en un lugar prominente. Coloque la etiqueta en o junto al picaporte de pestillo.
8. Después de instalar el abridor, la puerta **debe invertir** su recorrido al entrar en contacto con un objeto de 1-1/2 pulgada de altura (o un larguero de 2 x 4 puesto de plano sobre el piso.

1 CONJUNTO DEL OPERADOR

PARA LA AYUDA-1.800.929.3667 OR WWW.OVERHEADDOOR.COM

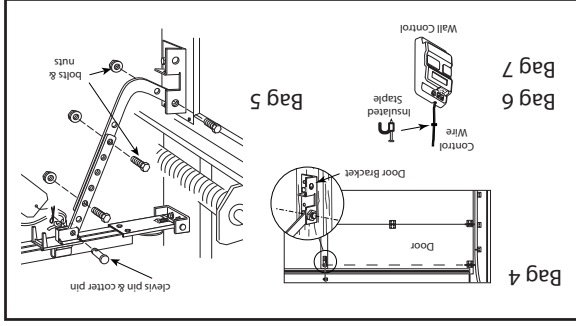
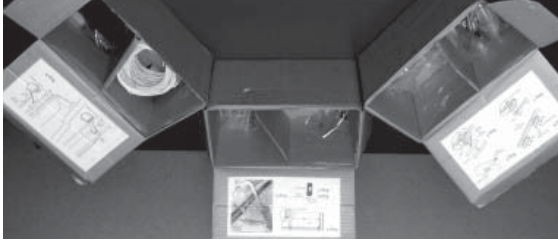


FIG. 1-1 Cajas internas

Encasone el Ejemplo de Etiqueta

1. Hay 4 cajas dentro del cartón. Cada caja está numerada de 1 a 4. Note que algunos operadores contienen las mismas piezas y pueden estar embaldadas con menos cajas. **Cuidadosamente quite las 3 cajas internas (Etiquetadas No. 1, 2 y 3) y póngalas en el piso para tener acceso fácil (Fig. 1-1).** Estas cajas contienen las piezas montadas y el contenido está organizado por tareas de montaje. Para referencia rápida dentro de la tapa de cada caja hay una etiqueta que ilustra los componentes de adentro.
2. Quite el motor de la caja de control y póngalo en el piso para usarlo más adelante. Quite la caja No.4 y póngala en el piso para usarla más adelante.

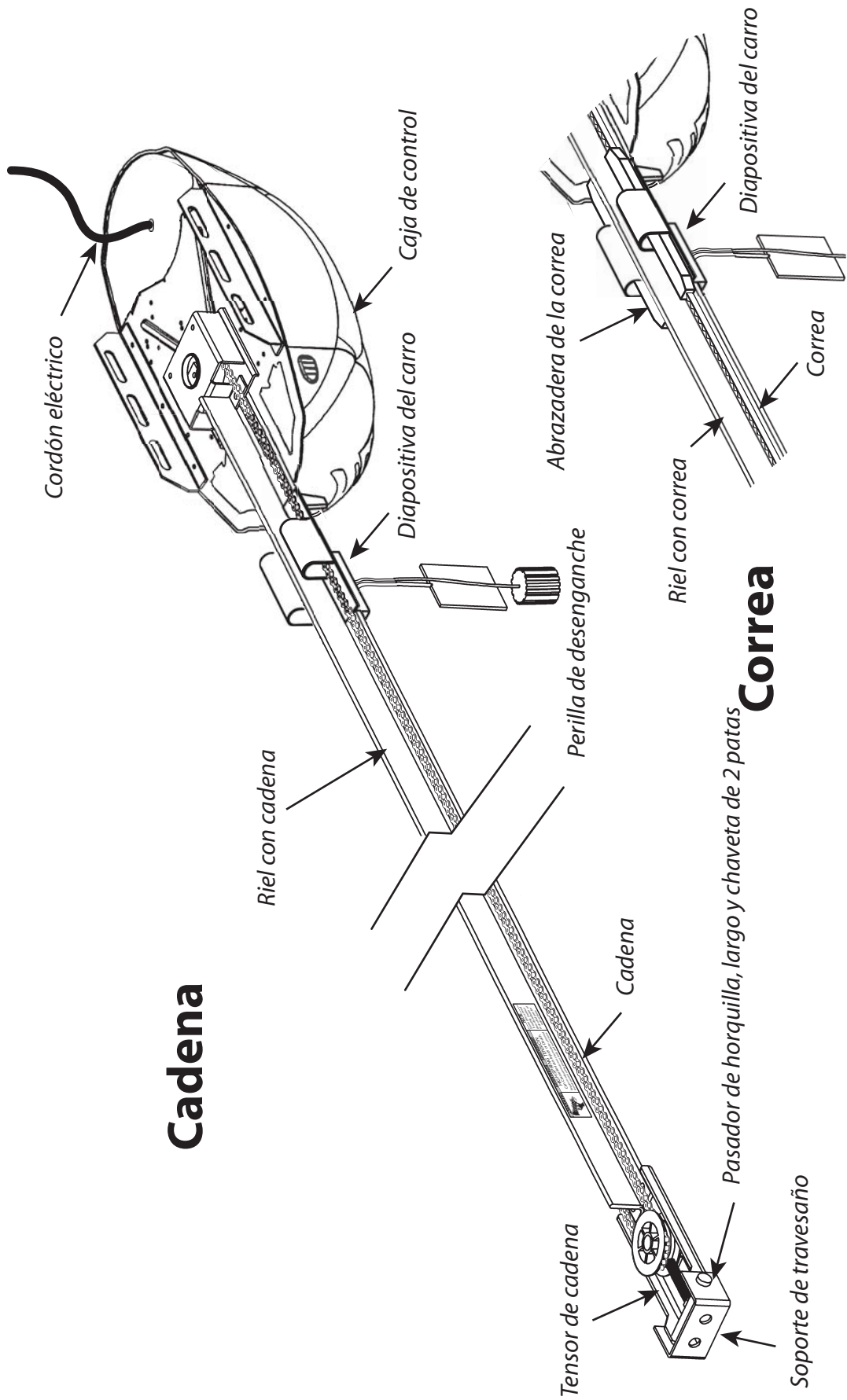
ADVERTENCIA
Para reducir el riesgo de lesión a las personas o daños a la propiedad - Use este operador solamente con puertas en secciones.

PRECAUCIÓN
NO haga funcionar el operador hasta que esté totalmente montado.

MONTAJE DEL RIEL:
Use una superficie limpia y plana.

NOTA: Siga por favor TODAS LAS instrucciones en su secuencia NUMERADA. Utilice los sensores del control y de la seguridad de pared proporcionados esta unidad. No sustituya los sensores del control o de la seguridad de pared.

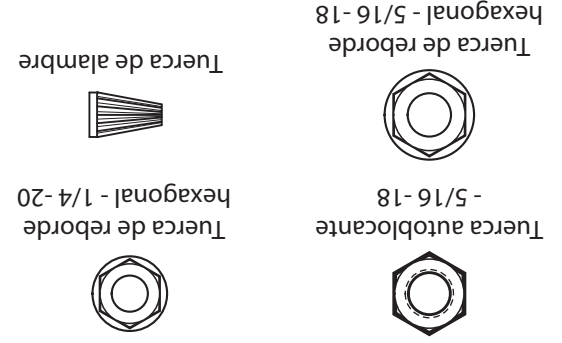
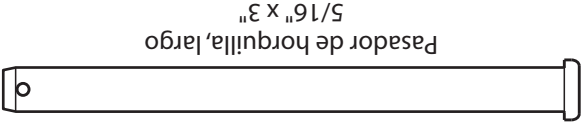
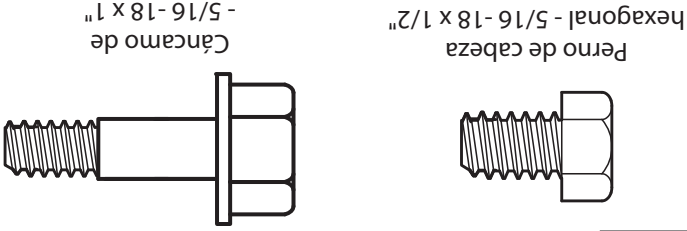
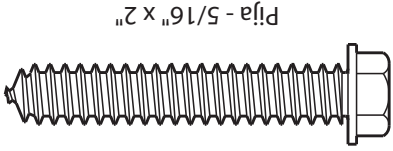
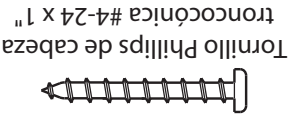
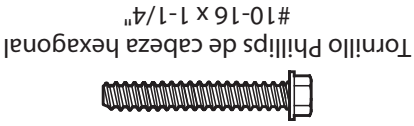
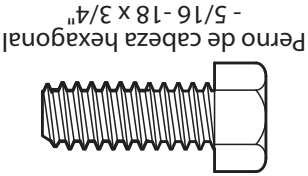
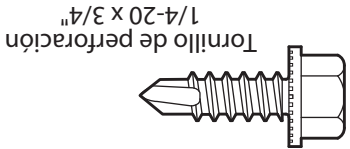
Cadena



Correa

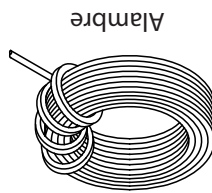
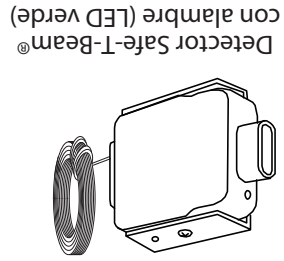
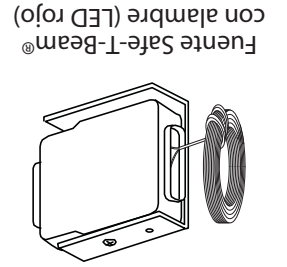
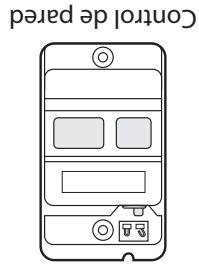
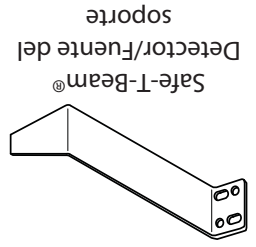
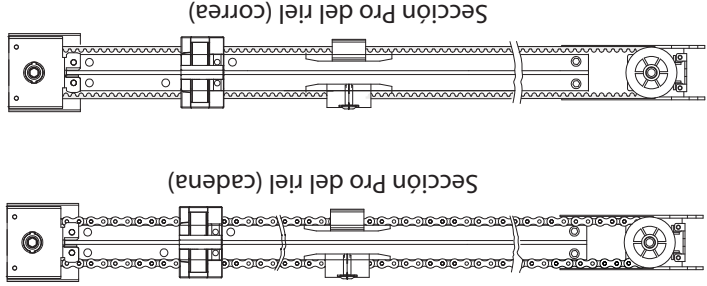
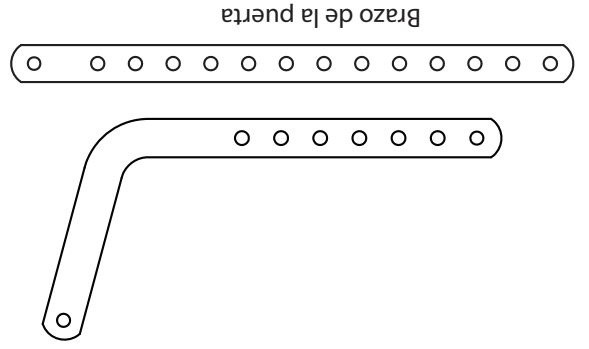
SUETADORES - Mostrados en tamaño natural (Vea la lista de piezas de abajo con la descripción completa.)

No. DE BOLSA	DESCRIPCIÓN	CANTIDAD
1	PERNO - 5/16-18 x 1/2"	3
2	PASADOR DE HORQUILLA, LARGO - 5/16" x 3"	1
	CHAVETA	1
	SOPORTE DEL TRAVESAÑO	1
	PIJA - 5/16" x 2"	2
3	TUERCA DE REBORDE HEXAGONAL - 5/16-18	5
	PERNO HEXAGONAL - 5/16-18 x 3/4"	5
	TUERCA AUTOBLOCANTE - 5/16-18	1
	SOPORTE DE LA PUERTA	1
	PERNO HEXAGONAL - 5/16-18 x 3/4"	3
4	TORNILLO DE PERFORACIÓN - 1/4-20 x 3/4"	3
	PIJA - 5/16" x 2"	2
	TORNILLO DE PERFORACIÓN - 1/4-20 x 3/4"	1
5	CHAVETA	1
	CONJUNTO DE BOTÓN DE CONTROL DE PARED	1
	TORNILLO CABEZA TRONCOCÓNICA - #4-24 x 1"	2
	TORNILLO CABEZA TRONCOCÓNICA - #4-24 x 1"	30
	SOPORTE DE FUENTE/DETECTOR Safe-T-Beam®	2
8	TORNILLO CABEZA HEXAGONAL PHILLIPS - #10-16 x 1-1/4"	4
	TUERCA DE ALAMBRE (GRIS)	4
	REMOTO CON BATERÍA	1
SIN NÚMERO	JUEGO DE ALAMBRE Y FUENTE / DETECTOR DEL Safe-T-Beam®	1
SIN NÚMERO	CUBIERTA DE LUZ - BLANCA	2

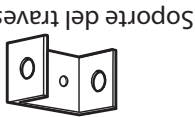


?FALTA ALGUNA PIEZA? Por favor llame gratis, con pago a destino, al: - 1.800.929.3667

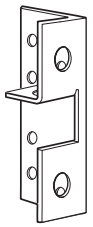
NO DEVUELVA AL LUGAR DONDE COMPRÓ.
 IMPORTANTE! - Información necesaria al llamar:
 • Número de modelo - (localizado en el empaque)
 • Tienda, ciudad, estado y fecha de compra.



Grapa con aislamiento

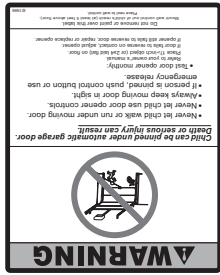


Soporte del travesaño



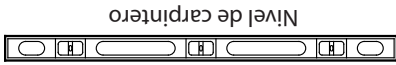
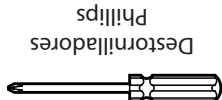
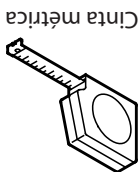
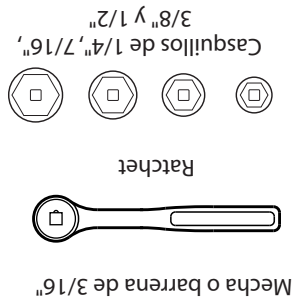
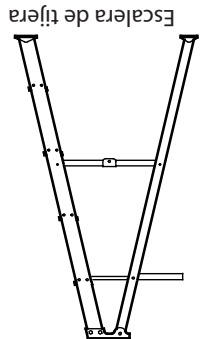
Soporte de la puerta

Folleto de seguridad



Rótulo de advertencia de atrapamiento

IDENTIFICACIÓN DE PIEZAS - No se muestra en tamaño natural



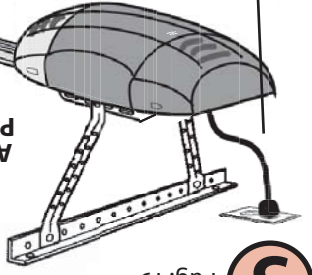
HERRAMIENTAS RECOMENDADAS

PARA LA AYUDA-1.800.929.3667 OR WWW.OVERHEADDOOR.COM

INSTALACIÓN DE PUERTA EN SECCIONES TÍPICA

PARA LA AYUDA-1.800.929.3667 OR WWW.OVERHEADDOOR.COM

5 Pág. 19



MENSULA DE APOYO TÍPICO (NO PROPORCIONADO)

1

Pág. 13

CORDÓN ELÉCTRICO A TOMACORRIENTE DE 120 V CONECTADO A TIERRA

RESORTE DE EXTENSIÓN
RESORTE DE TORSIÓN

NOTA: Este operador está diseñado para usar solamente con puertas con secciones

3

Pág. 17-18

6

Pág. 11

4

Pág. 14

3

Pág. 17-18

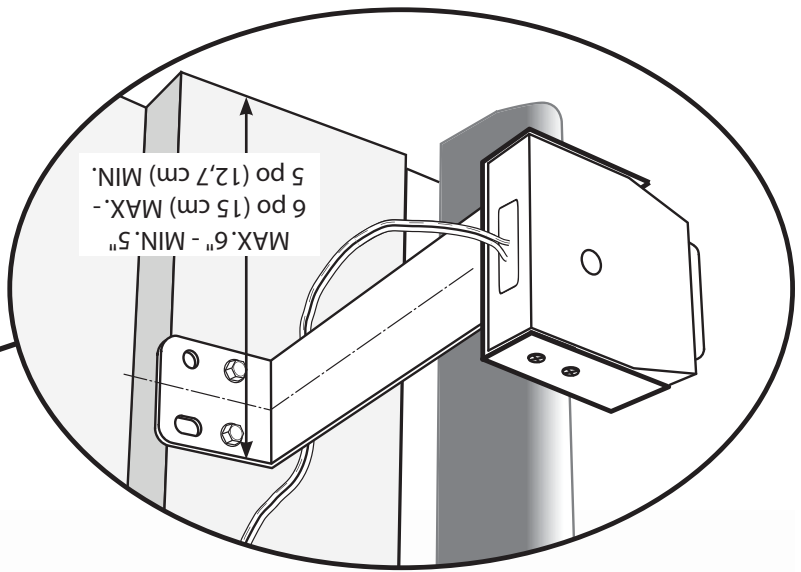
AGREGADO EL TABLERO DE MONTAJE SOPORTE DEL TRAVESANO

2

Pág. 12-13

RIOSTRAS

SENSORES SAFE-T-BEAM®



MAX. 6" - MIN. 5" (15 cm) MAX. - 5 po (12,7 cm) MIN.

PUERTA EN SECCIONES



Pág. 25

7

ADVERTENCIA

Para reducir el riesgo de lesión a las personas o daños a la propiedad - Use este operador solamente con puertas en secciones.

Sistema de seguridad de código cambiante CODEDODGER®

Un sistema de código cambiante electrónico que realiza la seguridad del operador de puertas cambiando continuamente el código de acceso cada vez que se use el control remoto. El operador de puertas responde a cada código nuevo sólo una vez. Un código de acceso copiado de un sistema que esté funcionando y se trate otra vez no controlará el operador de la puerta.

Botón de pared iluminado*.

Hace funcionar el operador de puertas de dentro del garaje. (Refiérase a la Sección 3)



y compatible con Car2U®.

Siga las instrucciones de Homelink® o Car2U® en el manual del propietario de su automóvil.

CARACTERÍSTICAS DE SEGURIDAD

Sistema inverso sin contacto del Safe-T-Beam®**

Pone un haz invisible a través del vano de la puerta al abrirse. La puerta se para e invierte su recorrido a la posición toda abierta si algo interrumpe el haz luminoso. El indicador de diodo luminoso (LED) rojo o verde que se enciende en la caja de control provee un código autodiagnóstico si existe un problema operacional. (Refiérase a la Sección 10.)

Sistema de contacto inverso del Safe-T-Reverse®

Automáticamente se para e invierte el recorrido de la puerta cerrándose dentro de los 2 segundos del contacto con un objeto. (Refiérase a la Sección 6)

Sistema inverso cronometrado del Safe-T-Stop®

Automáticamente abre una puerta cerrándose si no se cierra totalmente dentro de los 30 segundos.

Sistema monitor Watch Dog™

Supervisa el sistema Seguro-T-Beam®** para asegurar funcionalidad apropiada y automáticamente parará e invertirá una puerta cerrada si se detecta un problema.

Sistema de iluminación automática

Dos bombilla suministra hasta 120 vatios de luz para entradas y salidas más seguras de noche. Se ENCIENDE al activarse la puerta y automáticamente se apaga después de 3 minutos.

Desenganche de emergencia manual.

Manualmente desengancha la puerta del operador de puerta. Use durante una falla de corriente o de otra emergencia para permitir abrir y cerrar manualmente la puerta. (Refiérase a la Sección 6)

*EL ABRELATAS SE DEBE INSTALAR CON EL CONTROL DE PARED INCLUIDO.

INDICE

SECCIÓN	PÁGINA
INFORMACIÓN DE SEGURIDAD	2
CARACTERÍSTICAS DEL OPERADOR	3
CARACTERÍSTICAS DE SEGURIDAD	3
LISTA VERIFICACIÓN DE PRE-INSTALACIÓN	4-5
HERRAMIENTAS RECOMENDADAS	6
IDENTIFICACIÓN DE PIEZAS	6-7
ILUSTRACIONES IMPORTANTES	8
INFORMACIÓN DE SEGURIDAD PARA LA INSTALACIÓN	9
INSTALACIÓN	9-10
1 MONTAJE DEL OPERADOR	9-10
2 INSTALACIÓN	11-13
3 INSTALACIÓN DEL CONTROL DE PARED	14-15
4 INSTALACIÓN DEL SIST. SAFE-T-BEAM®	16-17
5 CONECTANDO LA POTENCIA	18
6 INTERRUPTORES LIMITADORES Y AJUSTE DE LA PICAPORTE DE PESTILLO CON LLAVE.	19-20
7 PRUEBA DE CONTACTO INVERSO.	20
8 PROGRAMACIÓN DE CONTROLES REMOTOS	21
9 INSTALACIÓN DEL SUJETADOR DE VISERA/ BATERÍA	22
10 INSTALACIÓN DE LA LENTE Y BOMBILLA	22
INSTALACIONES DE SEGURIDAD	23
10 MANTENIMIENTO MENSUAL DE RUTINA	23
ESQUEMA ELÉCTRICO	24
GUÍA DE INVEST. DE AVERÍAS - OPERADOR	25
GUÍA DE INVEST. DE AVERÍAS - LED CAJA DE CONTROL	26
DECLARACIÓN DE CONFORMIDAD DEL TRANSMISOR	27
GARANTÍA	28

MANTENIMIENTO E INVESTIGACIÓN DE AVERÍAS

**EL SISTEMA INVERSO DE SEGURIDAD DEL SAFE-T-BEAM® DEBE INSTALARSE PARA PODER CERRAR LA PUERTA..

INFORMACIÓN DE SEGURIDAD

VISTA PANORÁMICA DE PELIGROS POTENCIALES LEA ESTA INFORMACIÓN DE SEGURIDAD

CONVENCIONES USADAS EN ESTAS INSTRUCCIONES

Las puertas de garaje son objetos grandes y pesados y se mueven con la ayuda de resortes bajo alta tensión y de motores eléctricos. Puesto que los objetos en movimiento, resortes bajo tensión y motores eléctricos pueden causar lesiones, su seguridad y la seguridad de terceros depende del propietario o usuario de este sistema, que lea, entienda y cumpla con la información contenida en este manual. Si tiene alguna pregunta o no entiende la información presentada, llame a su técnico entrenado más cercano del sistema de la puerta.

Las palabras siguientes del símbolo y de señal de la alarma de la seguridad se utilizan a través de este manual para llamar la atención y para identificar diversos niveles de peligro y de instrucciones especiales.



En esta sección y las siguientes, las palabras **PELIGRO**, **ADVERTENCIA** y **PRECAUCIÓN** se usan para dar énfasis a la importancia de la información de seguridad.

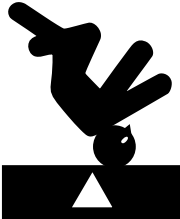


PELIGRO indica una situación inminentemente peligrosa que, si no se evita, puede resultar en la muerte o lesión grave.

ADVERTENCIA indica una situación potencialmente peligrosa que, si no se evita, podría resultar en la muerte o lesión grave.

PRECAUCIÓN indica una situación potencialmente peligrosa que, si no se evita, puede resultar en lesión o daños a la propiedad.

La palabra **NOTA** se utiliza para indicar pasos importantes que se deben seguir, consideraciones importantes o lugar de las piezas.

INSTRUCCIONES DE SEGURIDAD IMPORTANTES LEA Y SIGA TODAS LAS INSTRUCCIONES EXCEPTO ESTAS INSTRUCCIONES

PREVENCIÓN	EFECTO	PELIGRO POTENCIAL
<p>Mantenga a las personas fuera del vano de la puerta estando la puerta en movimiento.</p> <p>NO permita que los niños jueguen con el abridor de la puerta.</p> <p>NO haga funcionar la puerta que se trabe o tenga roto algún resorte.</p>	<p>ADVERTENCIA: Puede causar lesión grave o la muerte.</p>	<p>PUERTA EN MOVIMIENTO</p> 
<p>APAGUE la corriente eléctrica antes de quitar la tapa del operador.</p> <p>Al volver a instalar la tapa, asegúrese de que los alambres no se pinchen o estén cerca de piezas móviles.</p> <p>El operador debe estar bien conectado a tierra.</p>	<p>ADVERTENCIA: Puede causar lesión grave o la muerte.</p>	<p>CHOQUE ELÉCTRICO</p> 
<p>Do NOT try to remove, install, repair or adjust springs or anything to which door spring parts are fastened, such as, wood blocks, steel brackets, cables or other like items.</p> <p>Installations, repairs and adjustments must be done by a trained door system technician using proper tools and instructions.</p>	<p>ADVERTENCIA: Puede causar lesión grave o la muerte.</p>	<p>ALTA TENSION DEL RESORTE</p> 

The Genuine. The Original.

OVERHEAD DOOR®



Instalador: Deje este manual con el dueño.
 Installateur: Laissez ce manuel au propriétaire.

Legacy® 800 Modelo/Modèle 2026

ABREPUEERTAS DE GARAJE
 OUVRE-PORTE DE GARAGE

Legacy® 800

Cadena/Correa Abrepuerta
 Chaîne/Courroie Ouvreurs

• El control remoto CodeDodger®
 Hasta 7 transmisores de control
 remoto disponibles

• El sistema de haz luminoso de
 seguridad (Safe-T-Beam®) debe
 estar instalado para cerrar la puerta

• Compatible con Homelink® y Car2U®
 Sistema de bombillo doble
 Control de pared
 Para uso solamente con puertas en
 secciones

• Programación fácil

• La telecomando CodeDodger®
 Jusqu'à 7 émetteurs à distance
 disponibles

• Le système Safe-T-Beam® doit être
 installé pour pouvoir fermer la porte

• Compatible avec Homelink® et Car2U®

• 2 ampoules de système

• Un bouton murale

• Uniquement pour les portes à

sections

• Programmation facile

Para respuestas y asistencia:

Pour toutes questions et assistance:

1.800.929.3667

o visite/ou visitez note site
 www.OverheadDoor.com

Guarde este manual para referencia futura.
 Conserver ce guide à titre de référence ultérieure.

Homelink®
 COMPATIBLE

PN# 37027500123 2/26/2010 REV.1

© 2009 Overhead Door Corporation. Overhead Door, Legacy, et le logo Ribbon sont
 des marques de commerce déposées d'Overhead Door Corporation. Toutes les autres
 marques déposées sont la propriété de leurs propriétaires légitimes. Conformément
 à notre politique d'amélioration constante du produit, nous nous réservons le droit de
 changer les spécifications du produit sans préavis ou obligations.

CompanyCar2U® est une marque commerciale de Johnson Controls Technology

© 2009 Overhead Door Corporation. Overhead Door, Legacy, y el logo de Ribbon son
 marcas registradas propiedad de Overhead Door Corporation. Todas las demás marcas
 son propiedad de sus respectivos dueños. En concordancia con nuestra política de mejora
 continua de productos, nos reservamos el derecho de cambiar las especificaciones de los
 mismos sin aviso o responsabilidad. R900-785

Homelink® es una marca registrada de Johnson Controls Technology